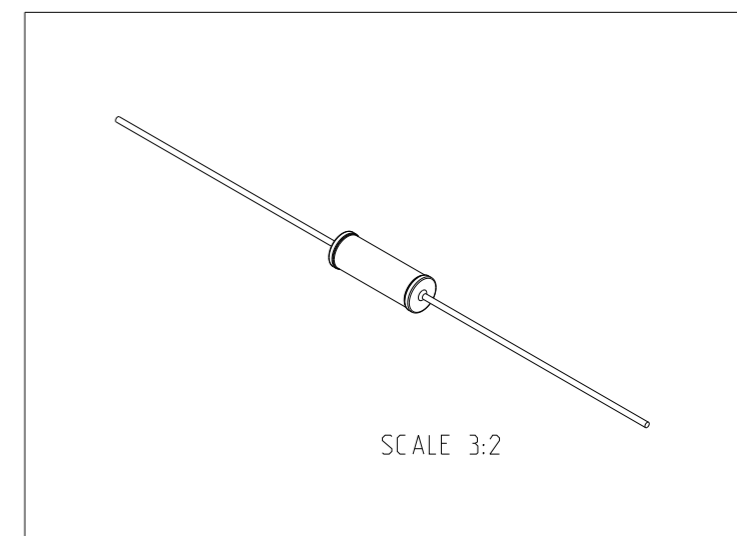
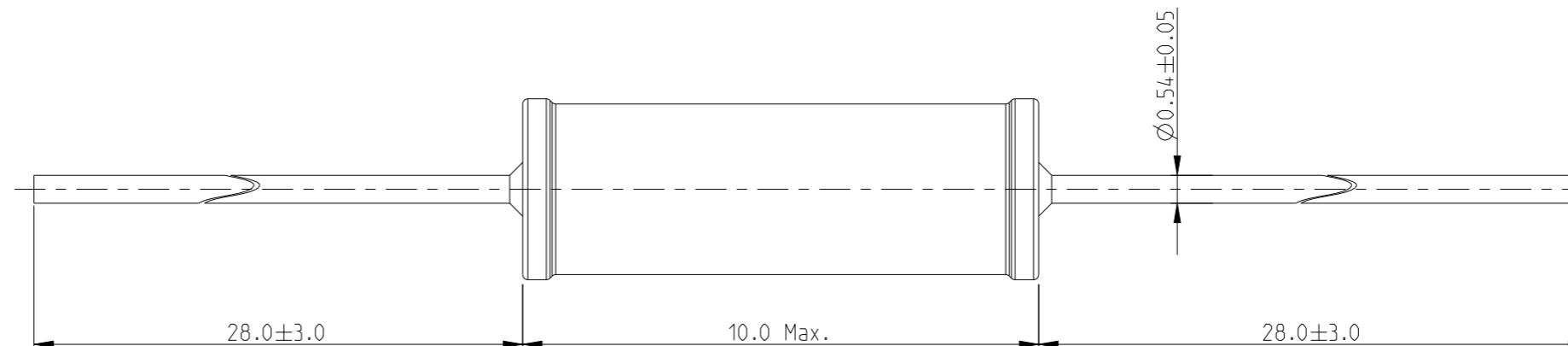
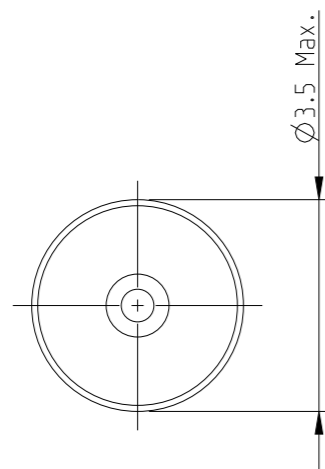


REVISIONS

P	LTR	DESCRIPTION	DATE	DWN	APVD
	BA	NEW RELEASE	23-MAR-10	MRS	St.P
	BB	CLARIFICATION OF DIMENSIONS	18JAN2023	DM	AP

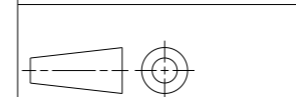
FOR FURTHER INFORMATION SEE DATA SHEET FOR SERIES LR. METAL FILM FIXED RESISTORS



RoHS Compliant

THIS DRAWING IS A CONTROLLED DOCUMENT.

DIMENSIONS:
mm



MATERIAL
-

TOLERANCES UNLESS OTHERWISE SPECIFIED:

0 PLC	± 0.2
1 PLC	± 0.1
2 PLC	\pm
3 PLC	\pm
4 PLC	\pm
ANGLES	$\pm 5^\circ$
FINISH	-

DWN 23-MAR-10
MAHARUDRA

CHK 23-MAR-10
ALLAN.P

APVD 23-MAR-10
STEPHEN.P

PRODUCT SPEC
-

APPLICATION SPEC
-

WEIGHT
-

CUSTOMER DRAWING

TE TE Connectivity

NAME
METAL FILM FIXED RESISTORS
SERIES LR2

SIZE	CAGE CODE	DRAWING NO	RESTRICTED TO
A3	00779	C=1622687	-

SCALE	SHEET	OF	REV
8:1	1	1	BB