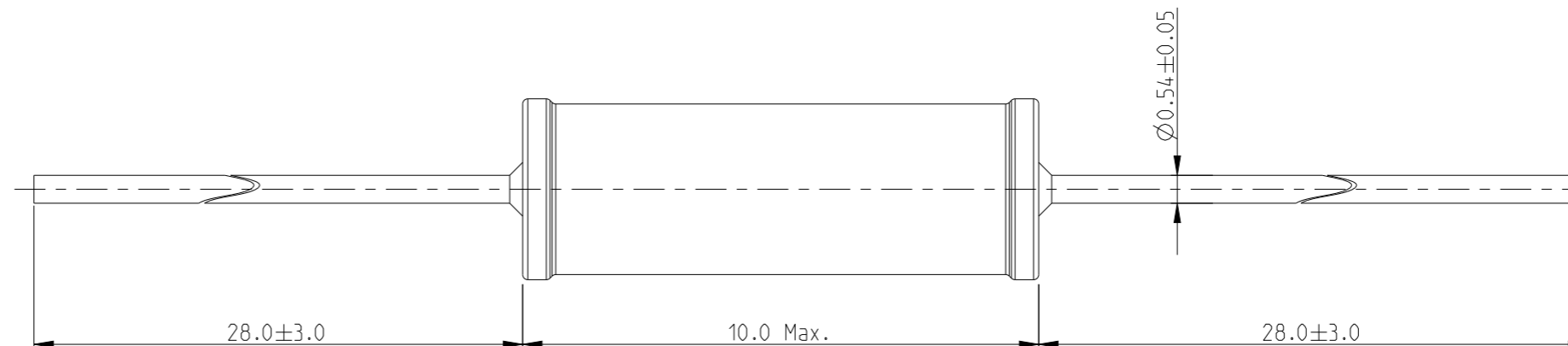
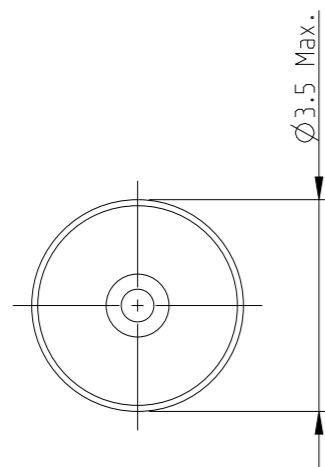


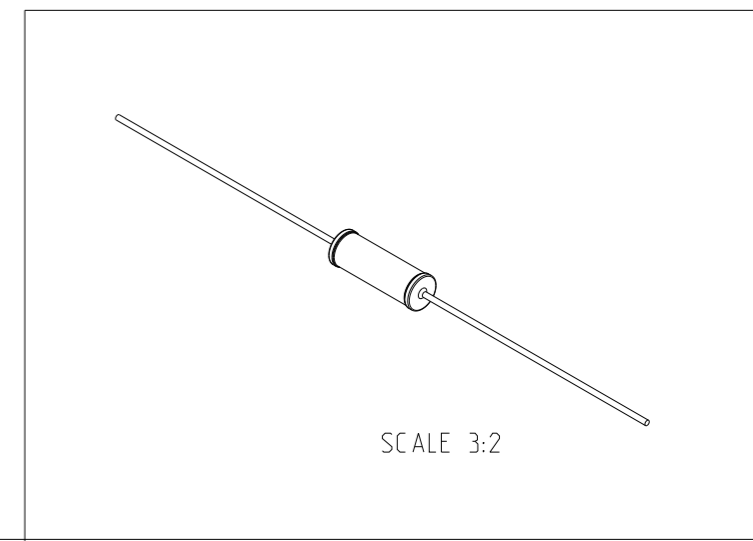
REVISIONS

P	LTR	DESCRIPTION	DATE	DWN	APVD
	BA	NEW RELEASE	23-MAR-10	MRS	St.P
	BB	CLARIFICATION OF DIMENSIONS	18JAN2023	DM	AP

FOR FURTHER INFORMATION SEE DATA SHEET FOR SERIES LR, METAL FILM FIXED RESISTORS



RoHS Compliant



THIS DRAWING IS A CONTROLLED DOCUMENT.		DWN MAHARUDRA 23-MAR-10		
		CHK ALLAN.P 23-MAR-10		
DIMENSIONS: mm		APVD STEPHEN.P 23-MAR-10	NAME METAL FILM FIXED RESISTORS SERIES LR2	
TOLERANCES UNLESS OTHERWISE SPECIFIED:		PRODUCT SPEC -	RESTRICTED TO -	
0 PLC ±0.2		APPLICATION SPEC -	SIZE A3	CAGE CODE 00779
1 PLC ±0.1		WEIGHT -	DRAWING NO C=1622688	
2 PLC ±-			SCALE 8:1	SHEET 1 OF 1
3 PLC ±-				REV BB
4 PLC ±-				
ANGLES ±5°				
MATERIAL -				
FINISH -				
		CUSTOMER DRAWING		