

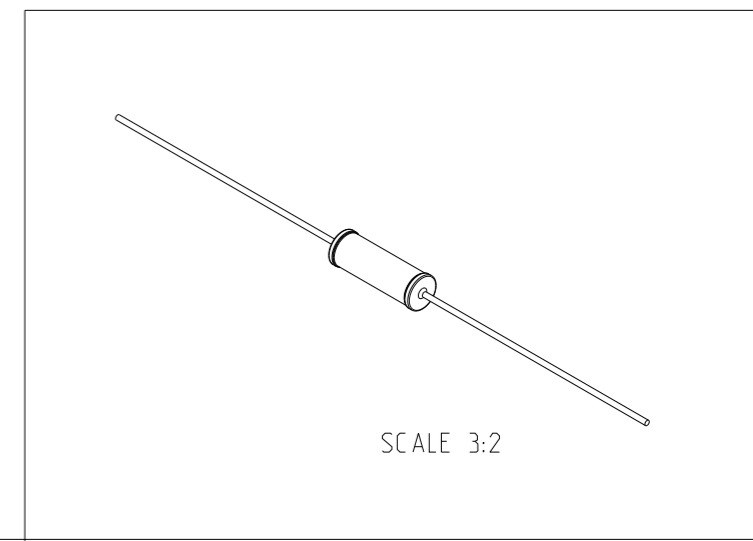
REVISIONS

P	LTR	DESCRIPTION	DATE	DWN	APVD
	BA	NEW RELEASE	23-MAR-10	MRS	St.P
	BB	CLARIFICATION OF DIMENSIONS	18JAN2023	DM	AP

FOR FURTHER INFORMATION SEE DATA SHEET FOR SERIES LR, METAL FILM FIXED RESISTORS



RoHS Compliant



THIS DRAWING IS A CONTROLLED DOCUMENT.		DWN	23-MAR-10		
		CHK	23-MAR-10		
		APVD	23-MAR-10		
		NAME	STEPHEN.P		
DIMENSIONS: mm		TOLERANCES UNLESS OTHERWISE SPECIFIED: 0 PLC ±0.2 1 PLC ±0.1 2 PLC ± 3 PLC ± 4 PLC ± ANGLES ±5°		METAL FILM FIXED RESISTORS SERIES LR2	
		MATERIAL - FINISH -		PRODUCT SPEC -	APPLICATION SPEC -
				SIZE A3	CAGE CODE 00779
				DRAWING NO C=1622689	RESTRICTED TO -
				CUSTOMER DRAWING	SCALE 8:1 SHEET 1 OF 1 REV BB