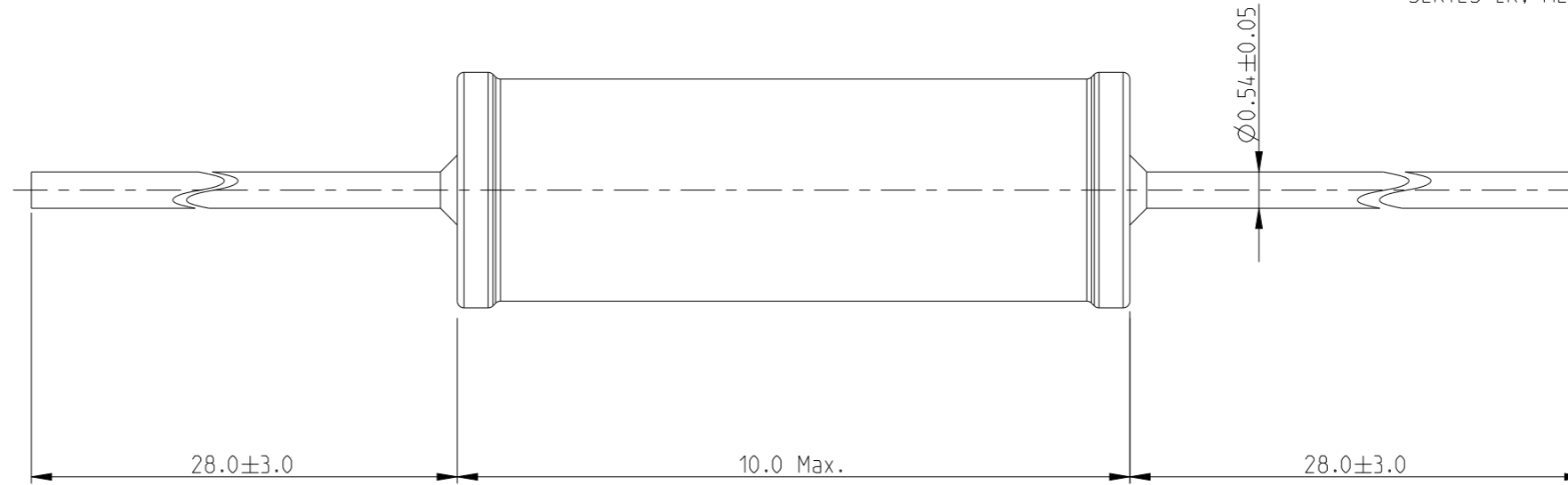
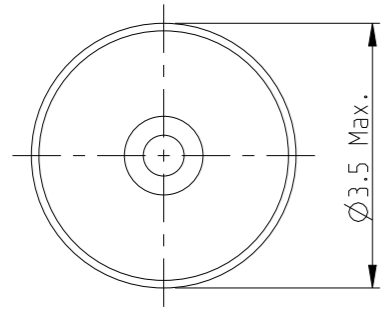


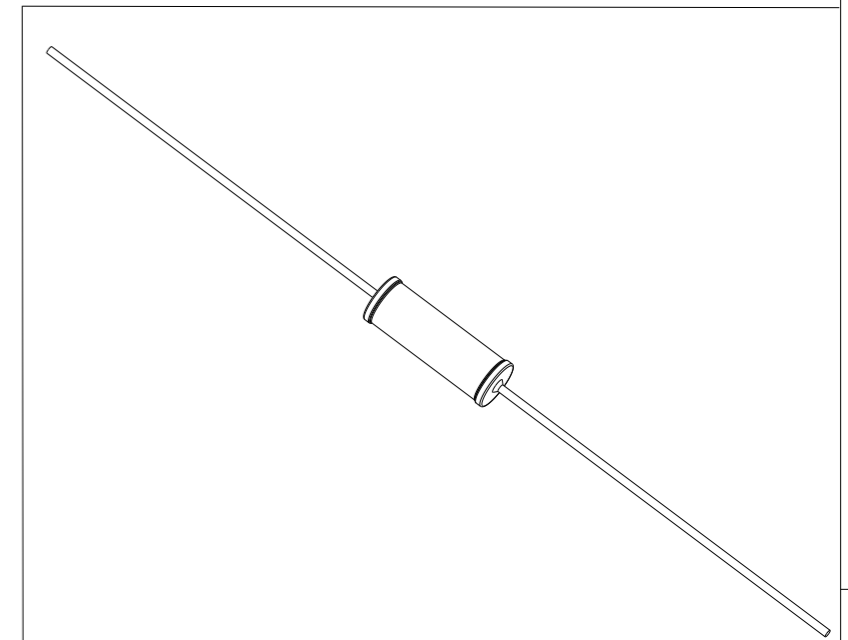
REVISIONS

P	LTR	DESCRIPTION	DATE	DWN	APVD
	BA	NEW RELEASE	06JULY2010	PT	St.P
	BB	CLARIFICATION OF DIMENSIONS	18JAN2023	DM	AP

FOR FURTHER INFORMATION SEE DATA SHEET FOR SERIES LR, METAL FILM FIXED RESISTORS



RoHS Compliant



THIS DRAWING IS A CONTROLLED DOCUMENT.		DWN	06JULY2010				
		CHK	06JULY2010				
		APVD	06JULY2010				
		PRODUCT SPEC					
DIMENSIONS: mm		TOLERANCES UNLESS OTHERWISE SPECIFIED:		NAME			
		0 PLC	± 0.2	METAL FILM FIXED RESISTORS			
		1 PLC	± 0.1	SERIES LR2			
		2 PLC	\pm	SIZE	CAGE CODE	DRAWING NO	RESTRICTED TO
		3 PLC	\pm	A3	00779	C=1622765	-
		4 PLC	\pm	CUSTOMER DRAWING			
MATERIAL		FINISH		SCALE	SHEET		
-		-		10:1	1 OF 1		
				REV	BB		