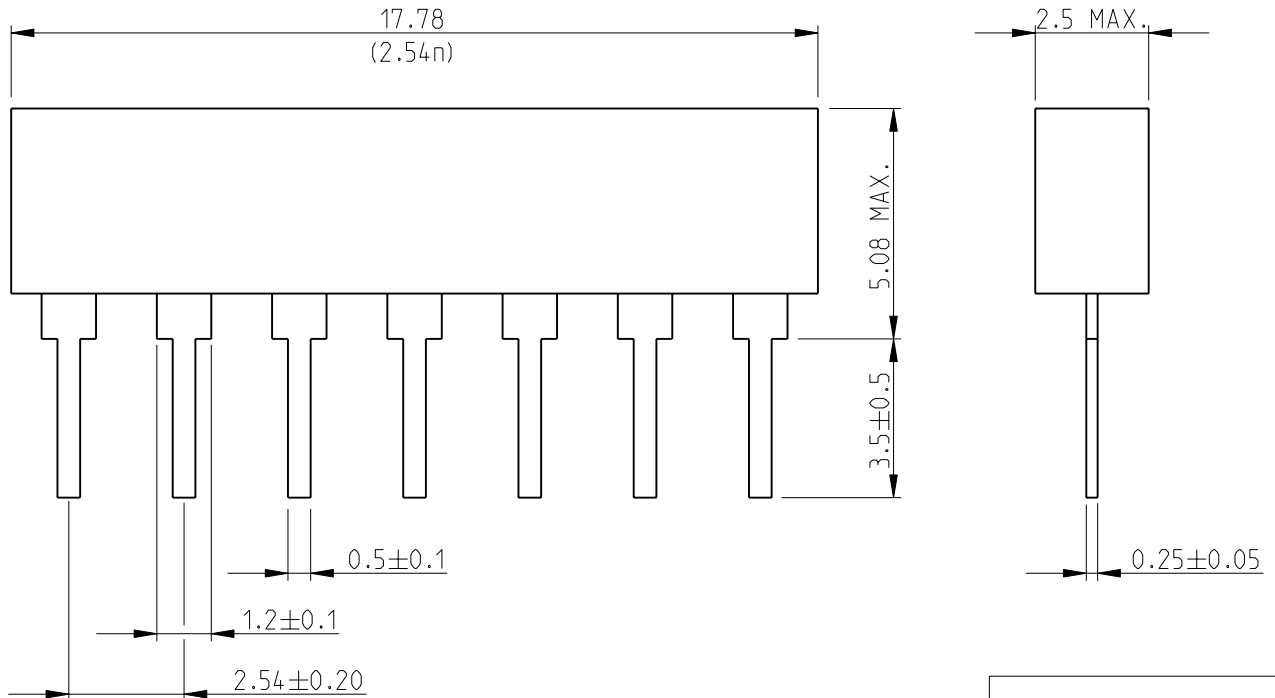
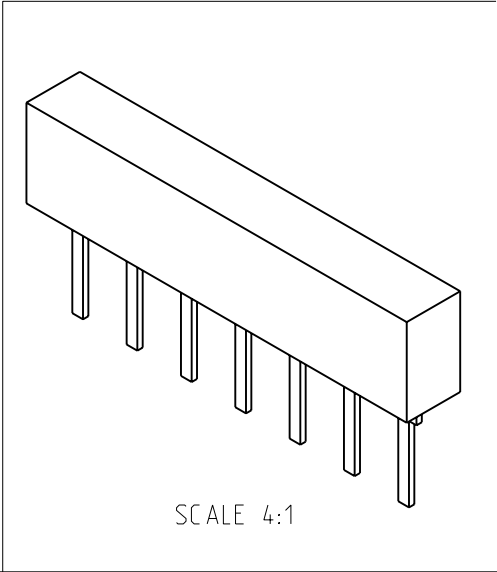


LOC	DIST	REVISIONS					
E	B	P	LTR	DESCRIPTION	DATE	DWN	APVD
			BA	NEW RELEASE	22-OCT-09	MRS	St.P



RoHS Compliant



- n = NUMBER OF PINS
- FOR FURTHER INFORMATION SEE DATA SHEET FOR SERIES SIL, GENERAL PURPOSE RESISTOR NETWORKS

2009

RELEASED FOR PUBLICATION

THIS DRAWING IS UNPUBLISHED.

BY TYCO ELECTRONICS CORPORATION. ALL RIGHTS RESERVED.

DIMENSIONS: mm	DWN	MAHARUDRA	22-OCT-09	MATERIAL	-	FINISH	-	
	CHK	ALLAN.P	22-OCT-09	Tyco Electronics Corporation Dorcan, Swindon, SN3 5HH				
TOLERANCES UNLESS OTHERWISE SPECIFIED:	APVD	STEPHEN.P	22-OCT-09					
	0 PLC	±0.2	PRODUCT SPEC	-	NAME GENERAL PURPOSE RESISTOR NETWORKS SIL07 RESISTOR NETWORKS			
1 PLC	±0.1	APPLICATION SPEC	-	SIZE	A 4	CAGE CODE	00779	
2 PLC	±	WEIGHT	-	DRAWING NO	C= 1622803		RESTRICTED TO	
3 PLC	±-						-	
4 PLC	±-							
ANGLES	±5°							
		CUSTOMER DRAWING		SCALE	6:1	SHEET	1 OF 1	
							REV	BA