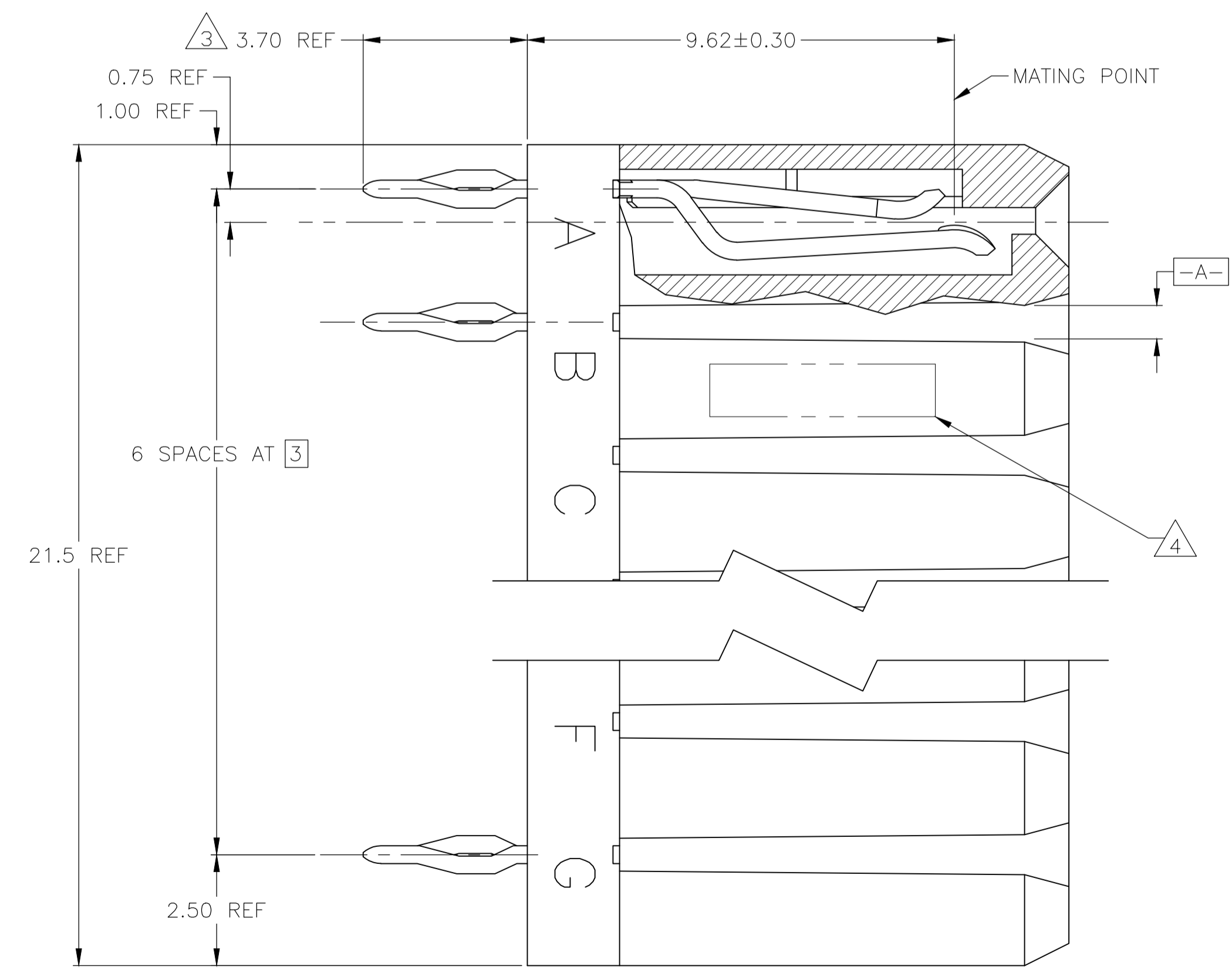
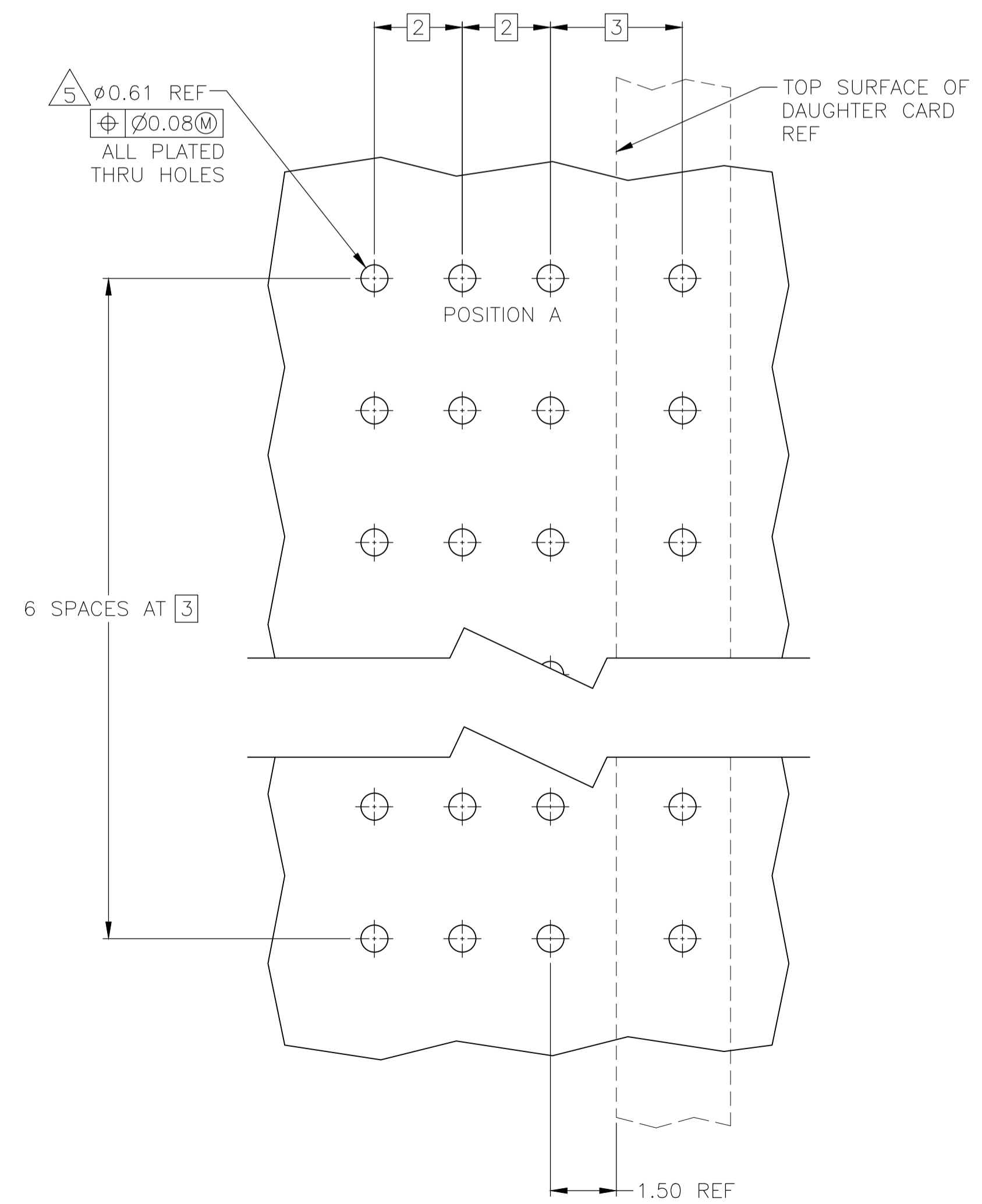
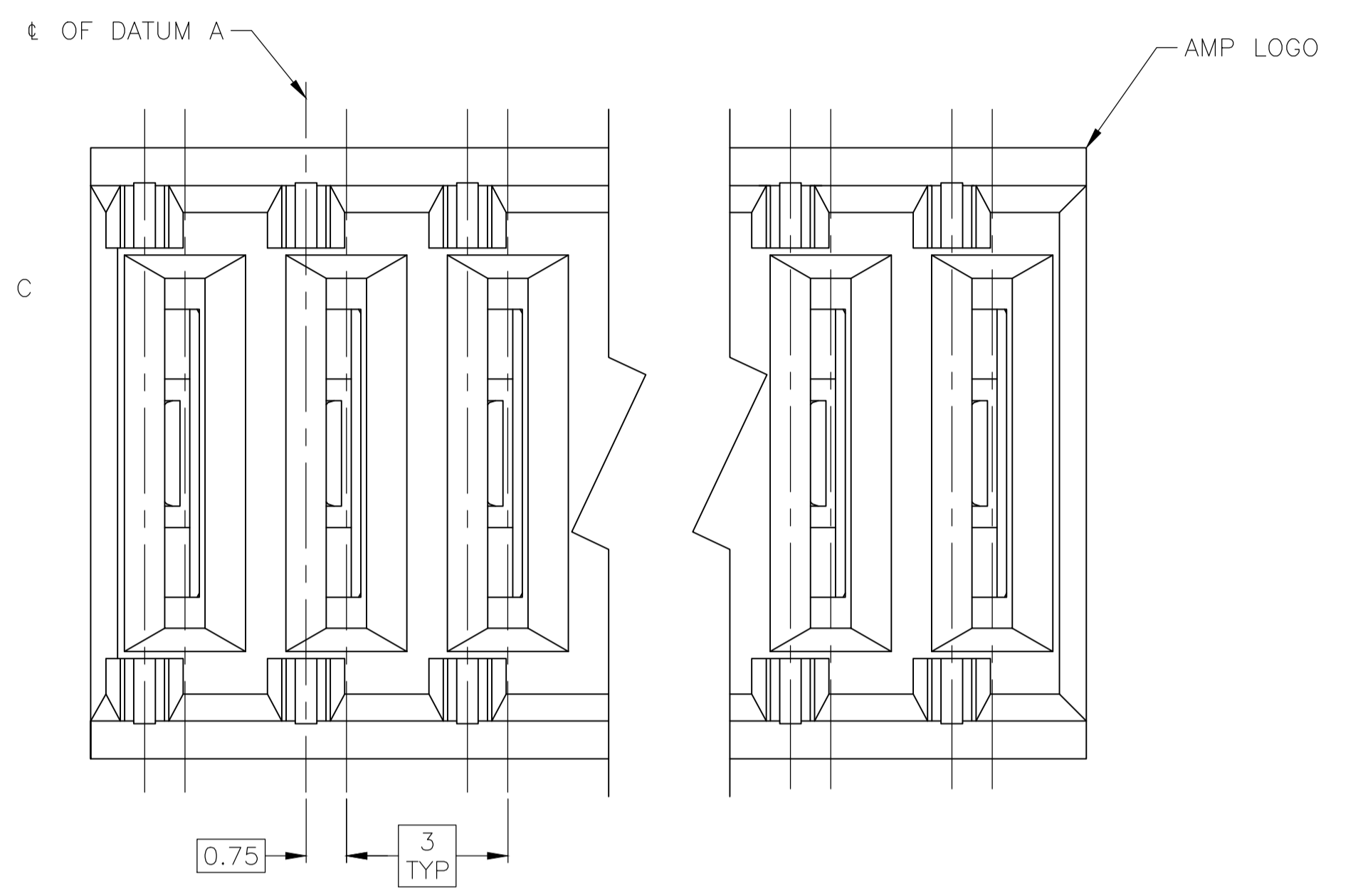
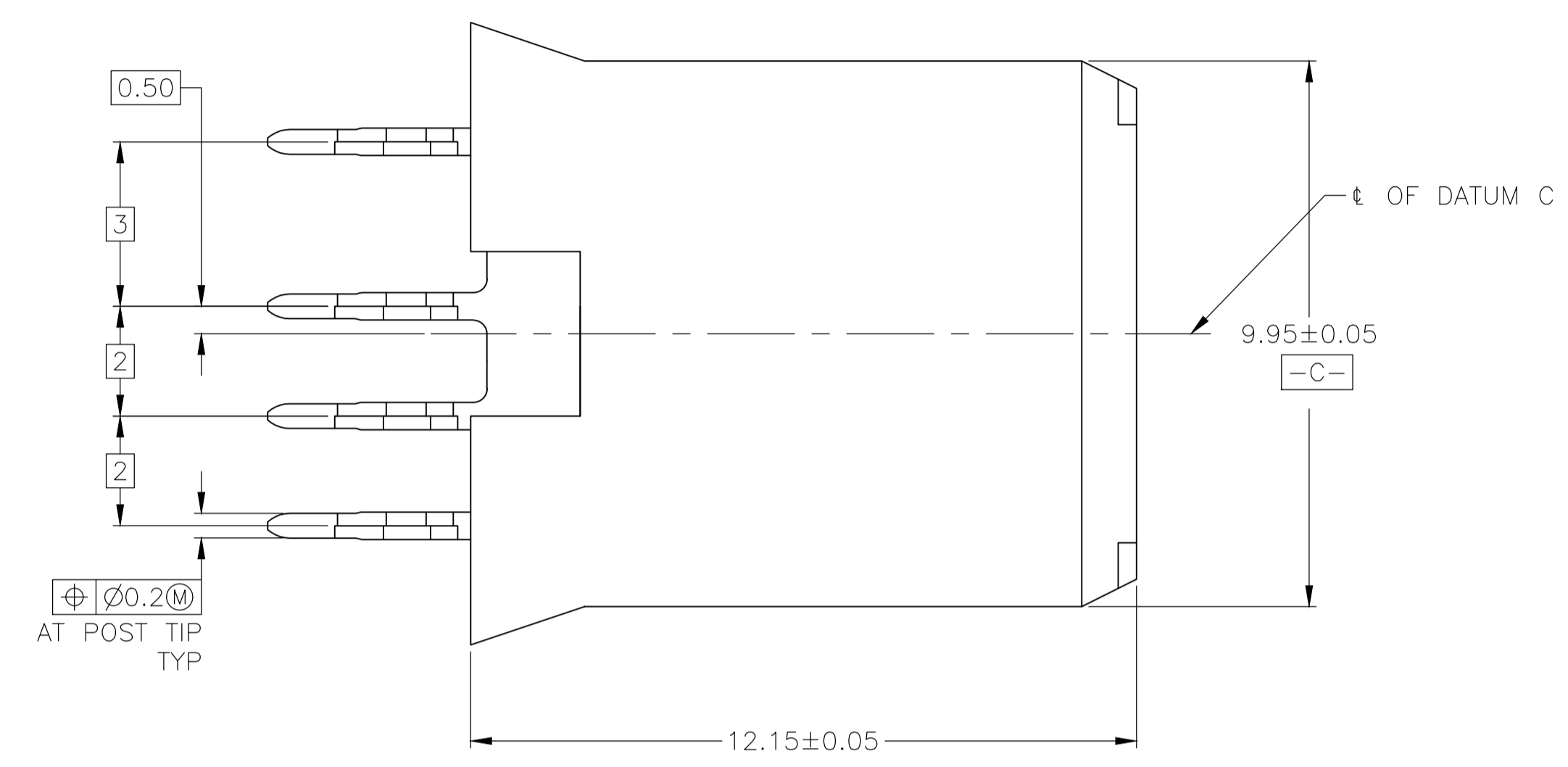
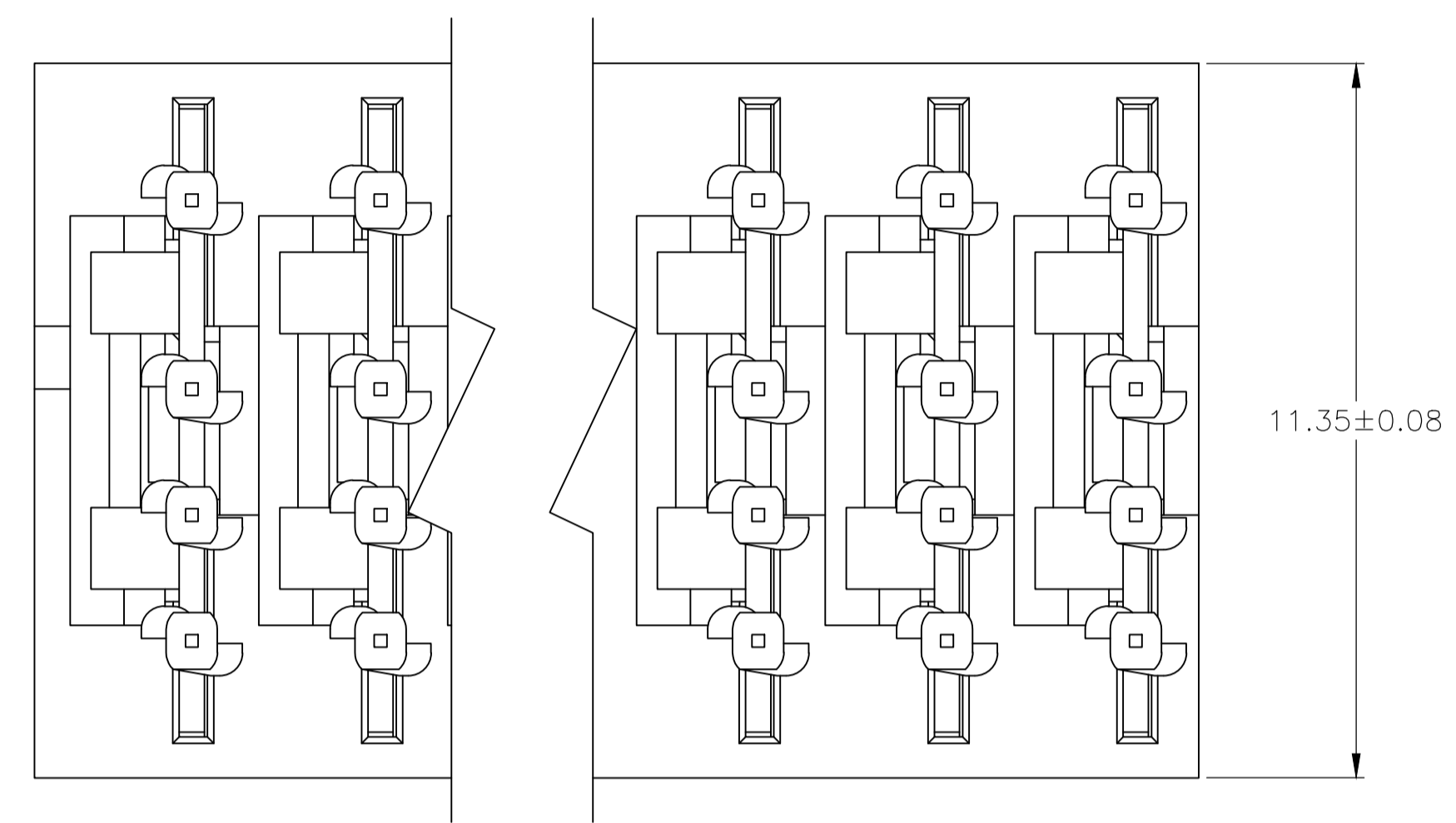


LOC		DIST		REVISIONS			
P	LTR	DESCRIPTION	DATE	DN	APVD		
A1	REV PER	RECO-20-004668	10JUN2020	ML	SZ		

- 1 MATERIAL: HOUSING : POLYESTER, GRAY. UL 94V-0.
CONTACT: HIGH CURRENT COPPER ALLOY.
- 2 FINISH: IN ACCORDANCE WITH PRODUCT SPECIFICATION 108-1651,
GOLD PLATING OR EQUIVALENT PLATING ON PRODUCT CONTACT MATING AREA,
AND MATTE TIN PLATING ON COMPLIANT PIN AREA, ALL OVER MATTE NICKEL
UNDERPLATED. DETAIL PLEASE REFER TO PRODUCT SPECIFICATION 108-1651.
- 3 TOLERANCE TO BE ± 0.28 AFTER CONNECTOR IS APPLIED TO PC BOARD.
- 4 DATE CODE THIS APPROXIMATE AREA, OPPOSITE SIDE.
- 5 REFERENCE APPLICATION SPEC 114-1103 FOR RECOMMENDED
PLATED THRU HOLE DIAMETER AND PLATING THICKNESS.
- 6 CURRENT RATING 16A/CONTACT PER PRODUCT SPEC 108-1651.
- 7 FINISH: CONTACT LUBRICATION WITH BELLCORE APPROVED LUBRICANT.
TECHNICAL REFERENCE: GR-1217-CORE ISSUE 1, NOVEMBER 1995.



RECOMMENDED PCB HOLE LAYOUT

A,B,D,E,G	5	1645636-1
POSITIONS LOADED	NO.OF LOADED POSITIONS	PART NUMBER

THIS DRAWING IS A CONTROLLED DOCUMENT.

DIMENSIONS:	TOLERANCES UNLESS OTHERWISE SPECIFIED:	DRN	04JUN12
mm	0. PLC ± -	CHK	04JUN12
	1. PLC ± -	APVD	04JUN12
	2. PLC ± 0.13	NAME	
	3. PLC ± -		
	4. PLC ± -		
	ANGLES ± -		
MATERIAL	FINISH	SIZE	CAGE CODE
1	2 7	A1	00779
		DRAWING NO	1645636
		RESTRICTED TO	
		SCALE	10:1
		SHEET	1 OF 1
		REV	A1

CUSTOMER DRAWING