

THIS DRAWING IS UNPUBLISHED. RELEASED FOR PUBLICATION 20
 © COPYRIGHT 20 BY TYCO ELECTRONICS CORPORATION. ALL RIGHTS RESERVED.

LOC	DIST	REVISIONS			
P	LTR	DESCRIPTION	DATE	DWN	APVD
ES	00				
	A4	REVISED ECR-08-009797	16MAY08	AZ	SY
	B	REVISED PER ECO-11-005032	11MAR2011	JY	CW
	C	REVISED PER ECN-23-243336	15DEC2023	-	-

XFP CAGE
 MAT'L: COPPER ALLOY
 FINISH: TIN

FRONT EMI GASKET;
 MAT'L: COPPER ALLOY
 FINISH: TIN

23 MAX

65.53 REF

ELASTOMERIC GASKET;
 MAT'L: CONDUCTIVE
 RUBBER

21.7 MIN

2 REF

13.29±0.13


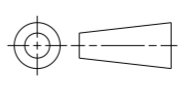
1.2

2.25 MAX
 TYP (14) PLC

FRONT FLANGE;
 MAT'L: ZINC ALLOY
 FINISH: TIN
 OVER NICKEL AND
 COPPER FLASH

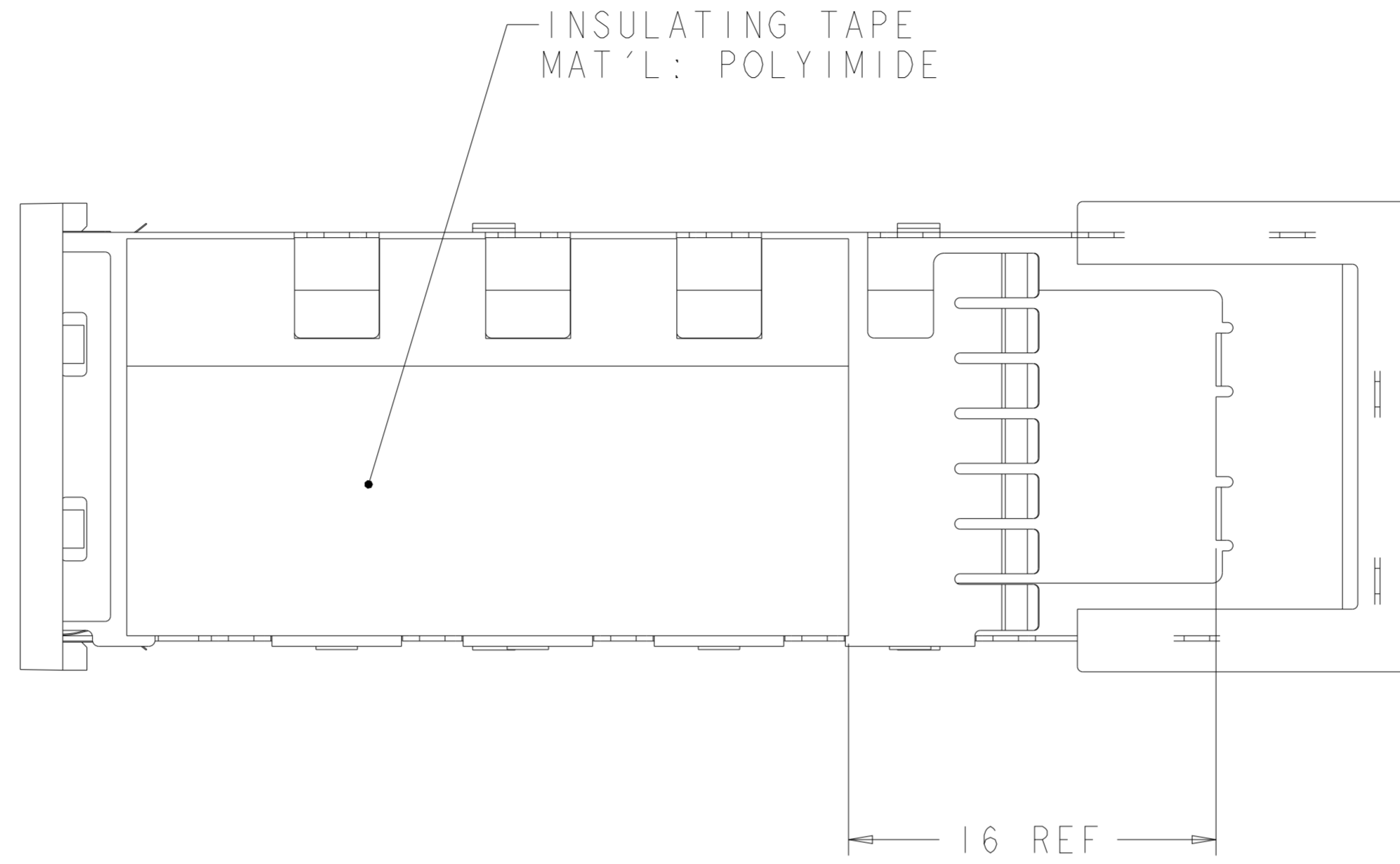
XFP CAGE REAR EMI GASKET;
 MAT'L: CONDUCTIVE FOAM

1658871-1
 PART
 NUMBER

<small>THIS DRAWING IS A CONTROLLED DOCUMENT FOR TYCO ELECTRONICS CORPORATION IT IS SUBJECT TO CHANGE AND THE CONTROLLING ENGINEERING ORGANIZATION SHOULD BE CONTACTED FOR THE LATEST REVISION.</small>		DWN D. E. STAHL	20NOV03	 Tyco Electronics Shanghai, China
DIMENSIONS: mm		CHK E. BRIGHT	20NOV03	
		APVD E. BRIGHT	20NOV03	
TOLERANCES UNLESS OTHERWISE SPECIFIED: 0 PLC ±- 1 PLC ±.1 2 PLC ±.05 3 PLC ±.005 4 PLC ±.0001 ANGLES ±- FINISH		PRODUCT SPEC 108-2127	APPLICATION SPEC 114-13096	NAME ASSEMBLY, XFP CAGE WITH INSULATING TAPE
MATERIAL		WEIGHT	-	SIZE A2
		CUSTOMER DRAWING	SCALE 4	CAGE CODE 00779
				DRAWING NO C-1658871
				RESTRICTED TO -
				SHEET 1 OF 4
				REV C

THIS DRAWING IS UNPUBLISHED. RELEASED FOR PUBLICATION 20
 © COPYRIGHT 20 BY TYCO ELECTRONICS CORPORATION. ALL RIGHTS RESERVED.

LOC	DIST	REVISIONS					
ES	00	P	LTR	DESCRIPTION	DATE	DWN	APVD
		-		SEE SHEET 1	-	-	-



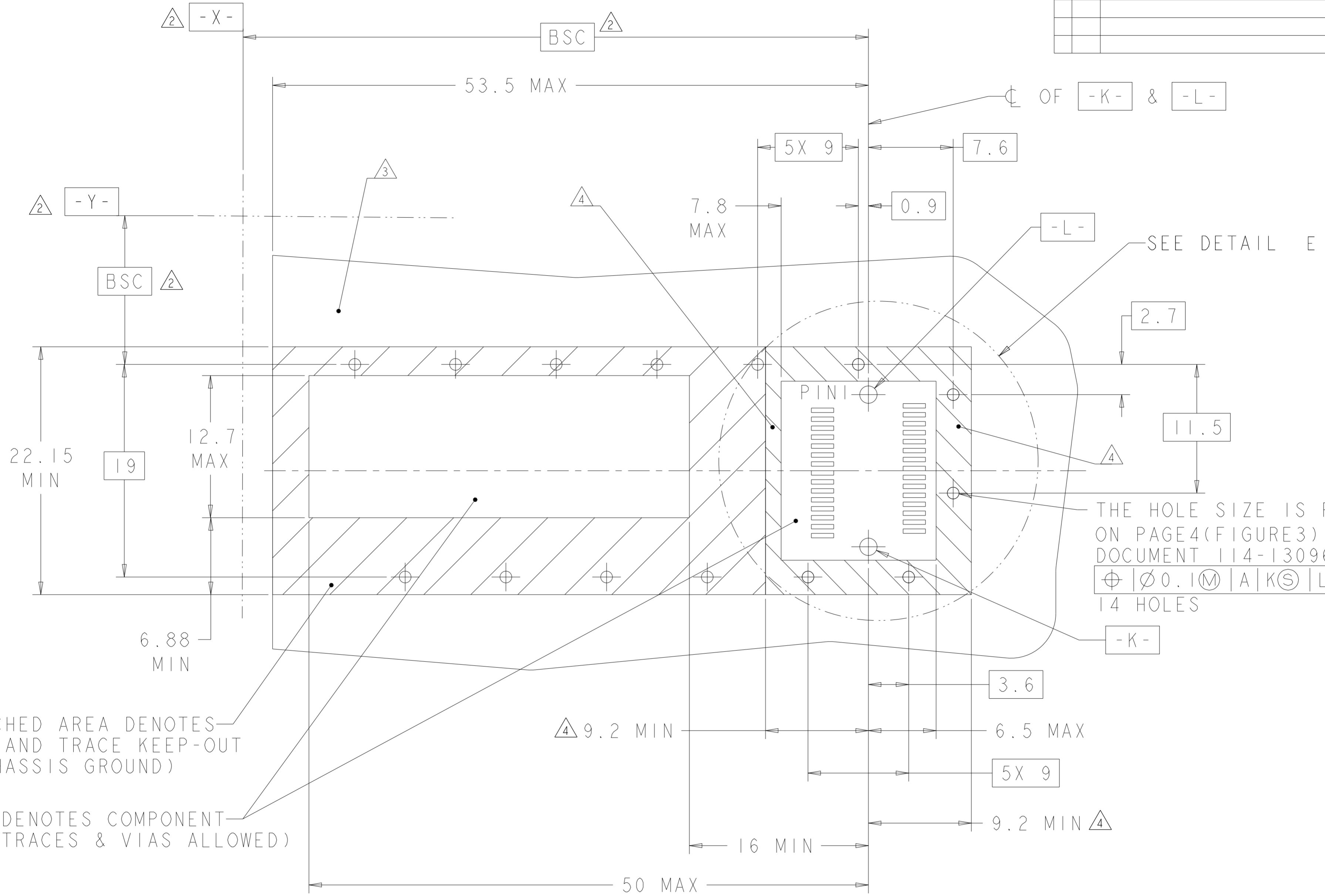
VIEW R - R

- ① MATES WITH XFP-MSA COMPLIANT TRANSCEIVERS.
- ② DATUM -X- AND -Y- ESTABLISHED BY CUSTOMER.
- ③ DATUM -A- IS TOP SURFACE OF HOST BOARD.
- ④ INDICATED SURFACES TO BE CONDUCTIVE AND CONNECTED TO CHASSIS GROUND.

<small>THIS DRAWING IS A CONTROLLED DOCUMENT FOR TYCO ELECTRONICS CORPORATION IT IS SUBJECT TO CHANGE AND THE CONTROLLING ENGINEERING ORGANIZATION SHOULD BE CONTACTED FOR THE LATEST REVISION.</small>		DWN D. E. STAHL 20NOV03 CHK E. BRIGHT 20NOV03 APVD E. BRIGHT 20NOV03	Tyco Electronics Shanghai, China
DIMENSIONS: mm	TOLERANCES UNLESS OTHERWISE SPECIFIED: 0 PLC ±- 1 PLC ±.1 2 PLC ±.05 3 PLC ±.005 4 PLC ±.0001 ANGLES ±- FINISH	PRODUCT SPEC 108-2127 APPLICATION SPEC 114-13096 WEIGHT -	NAME ASSEMBLY, XFP CAGE WITH INSULATING TAPE SIZE A2 CAGE CODE 00779 DRAWING NO. C-1658871 RESTRICTED TO -
MATERIAL -		CUSTOMER DRAWING SCALE 4 SHEET 2 OF 4 REV C	

THIS DRAWING IS UNPUBLISHED. RELEASED FOR PUBLICATION 20
 © COPYRIGHT 20 BY TYCO ELECTRONICS CORPORATION. ALL RIGHTS RESERVED.

LOC	DIST	REVISIONS			
P	LTR	DESCRIPTION	DATE	DWN	APVD
ES	00	SEE SHEET 1	-	-	-



CROSS-HATCHED AREA DENOTES COMPONENT AND TRACE KEEP-OUT (EXCEPT CHASSIS GROUND)

THIS AREA DENOTES COMPONENT KEEP-OUT (TRACES & VIAS ALLOWED)

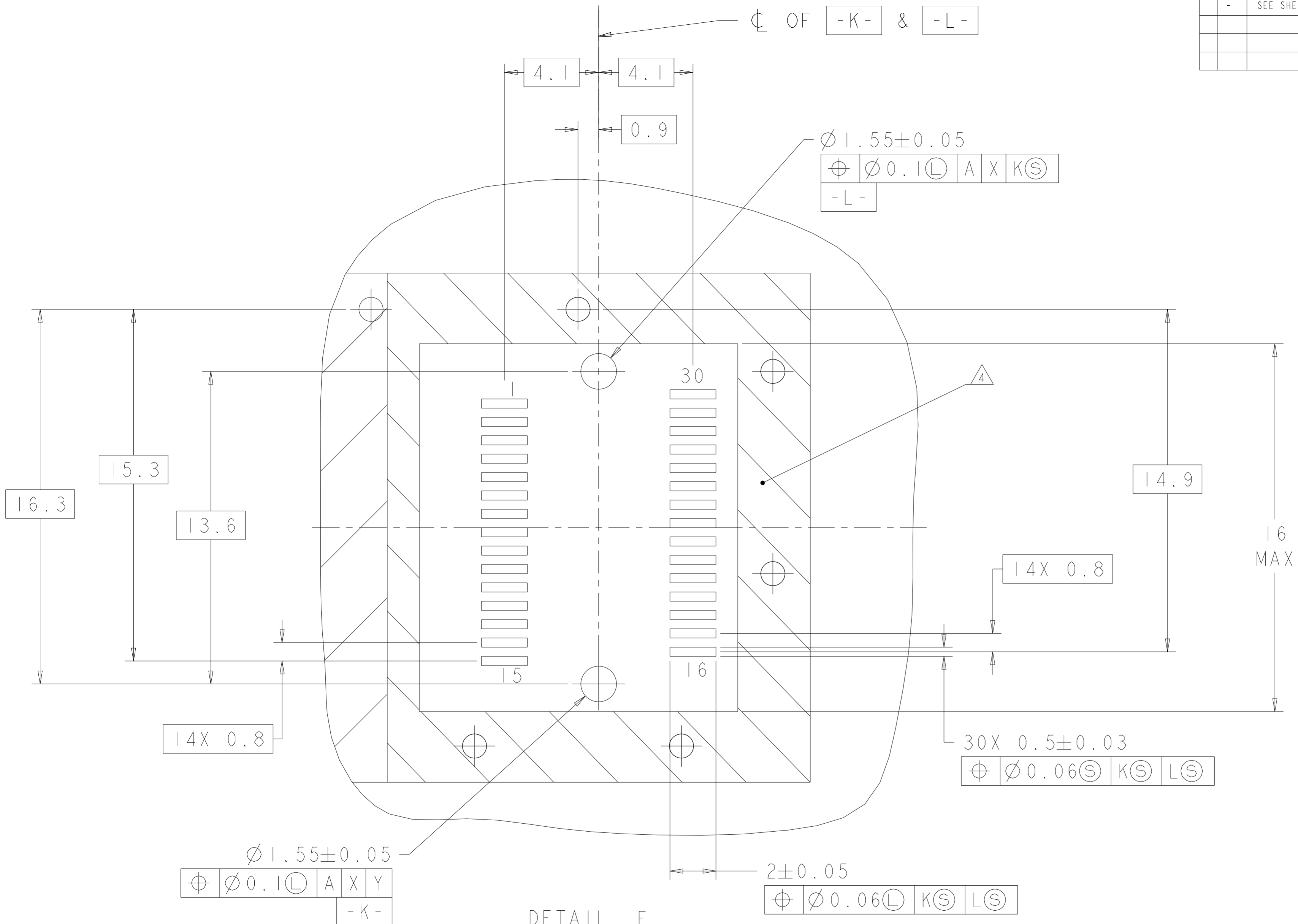
THE HOLE SIZE IS RECOMMEND ON PAGE 4 (FIGURE 3) OF TE DOCUMENT 114-13096
 Ø0.1(M) | A | K(S) | L(S)
 14 HOLES

DETAILED HOST BOARD MECHANICAL LAYOUT

THIS DRAWING IS A CONTROLLED DOCUMENT FOR TYCO ELECTRONICS CORPORATION. IT IS SUBJECT TO CHANGE AND THE CONTROLLING ENGINEERING ORGANIZATION SHOULD BE CONTACTED FOR THE LATEST REVISION.		DWN D. E. STAHL 20NOV03	Tyco Electronics Shanghai, China	
DIMENSIONS: mm		CHK E. BRIGHT 20NOV03	NAME ASSEMBLY, XFP CAGE WITH INSULATING TAPE	
TOLERANCES UNLESS OTHERWISE SPECIFIED: 0 PLC ±. 1 PLC ±.1 2 PLC ±.05 3 PLC ±.005 4 PLC ±.0001 ANGLES ±. FINISH		APVD E. BRIGHT 20NOV03	PRODUCT SPEC 108-2127	
MATERIAL		APPLICATION SPEC 114-13096	SIZE A2	CAGE CODE 00779
		WEIGHT	DRAWING NO C-1658871	RESTRICTED TO
		CUSTOMER DRAWING	SCALE 4	SHEET 3 OF 4
			REV C	

THIS DRAWING IS UNPUBLISHED. RELEASED FOR PUBLICATION 20
 © COPYRIGHT 20 BY TYCO ELECTRONICS CORPORATION. ALL RIGHTS RESERVED.

LOC	DIST	REVISIONS					
ES	00	P	LTR	DESCRIPTION	DATE	DWN	APVD
		-		SEE SHEET 1	-	-	-



Ø 1.55±0.05
 ⊕ Ø 0.1(L) A X Y
 -K-

2±0.05
 ⊕ Ø 0.06(L) K(S) L(S)

Ø 1.55±0.05
 ⊕ Ø 0.1(L) A X K(S)
 -L-

DETAIL E
 SCALE 8:1

DETAILED HOST BOARD MECHANICAL LAYOUT

THIS DRAWING IS A CONTROLLED DOCUMENT FOR TYCO ELECTRONICS CORPORATION. IT IS SUBJECT TO CHANGE AND THE CONTROLLING ENGINEERING ORGANIZATION SHOULD BE CONTACTED FOR THE LATEST REVISION.		DWN D.E. STAHL	20NOV03	Tyco Electronics Shanghai, China
DIMENSIONS: mm		CHK E. BRIGHT	20NOV03	
TOLERANCES UNLESS OTHERWISE SPECIFIED: 0 PLC ±- 1 PLC ±.1 2 PLC ±.05 3 PLC ±.005 4 PLC ±.0001 ANGLES ±- FINISH		APVD E. BRIGHT	20NOV03	
MATERIAL		PRODUCT SPEC 108-2127		
		APPLICATION SPEC 114-13096		NAME ASSEMBLY, XFP CAGE WITH INSULATING TAPE
		WEIGHT		SIZE A2
		CUSTOMER DRAWING		CAGE CODE 00779
				DRAWING NO C-1658871
				RESTRICTED TO
				SCALE 4 SHEET 4 OF 4 REV C