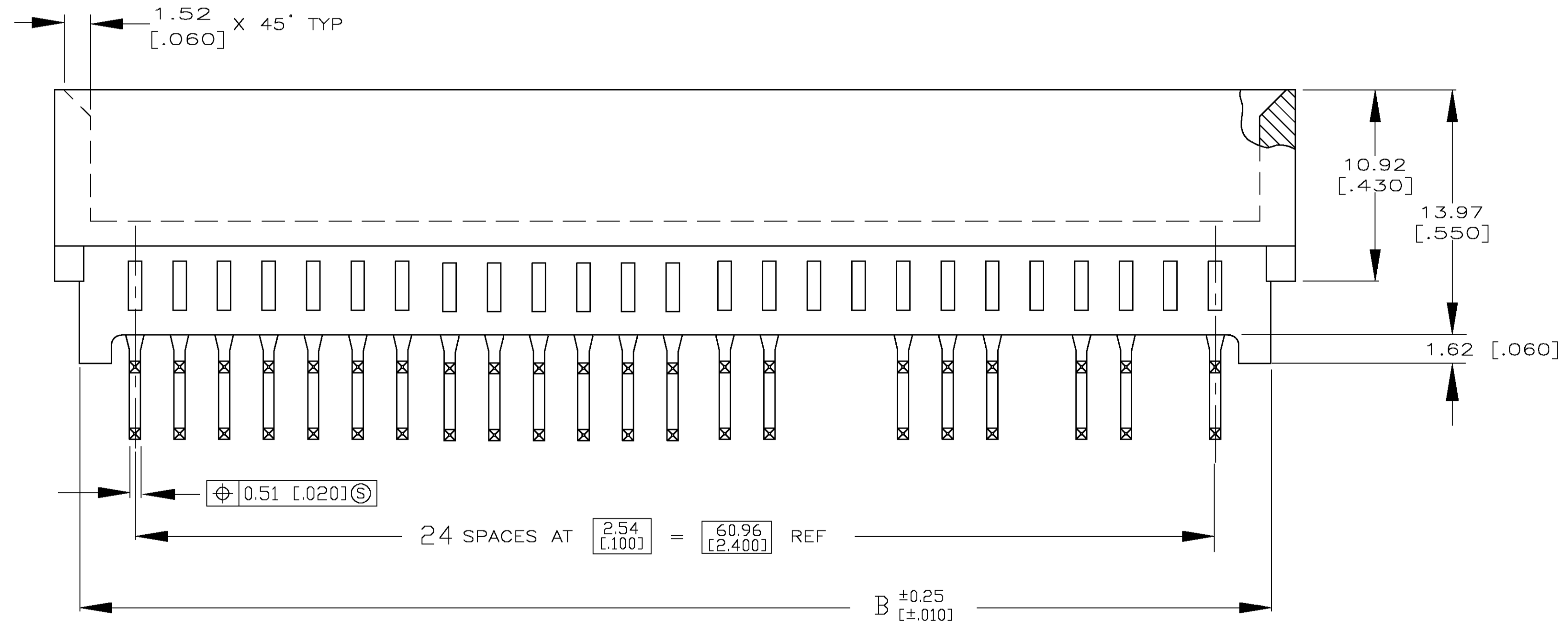
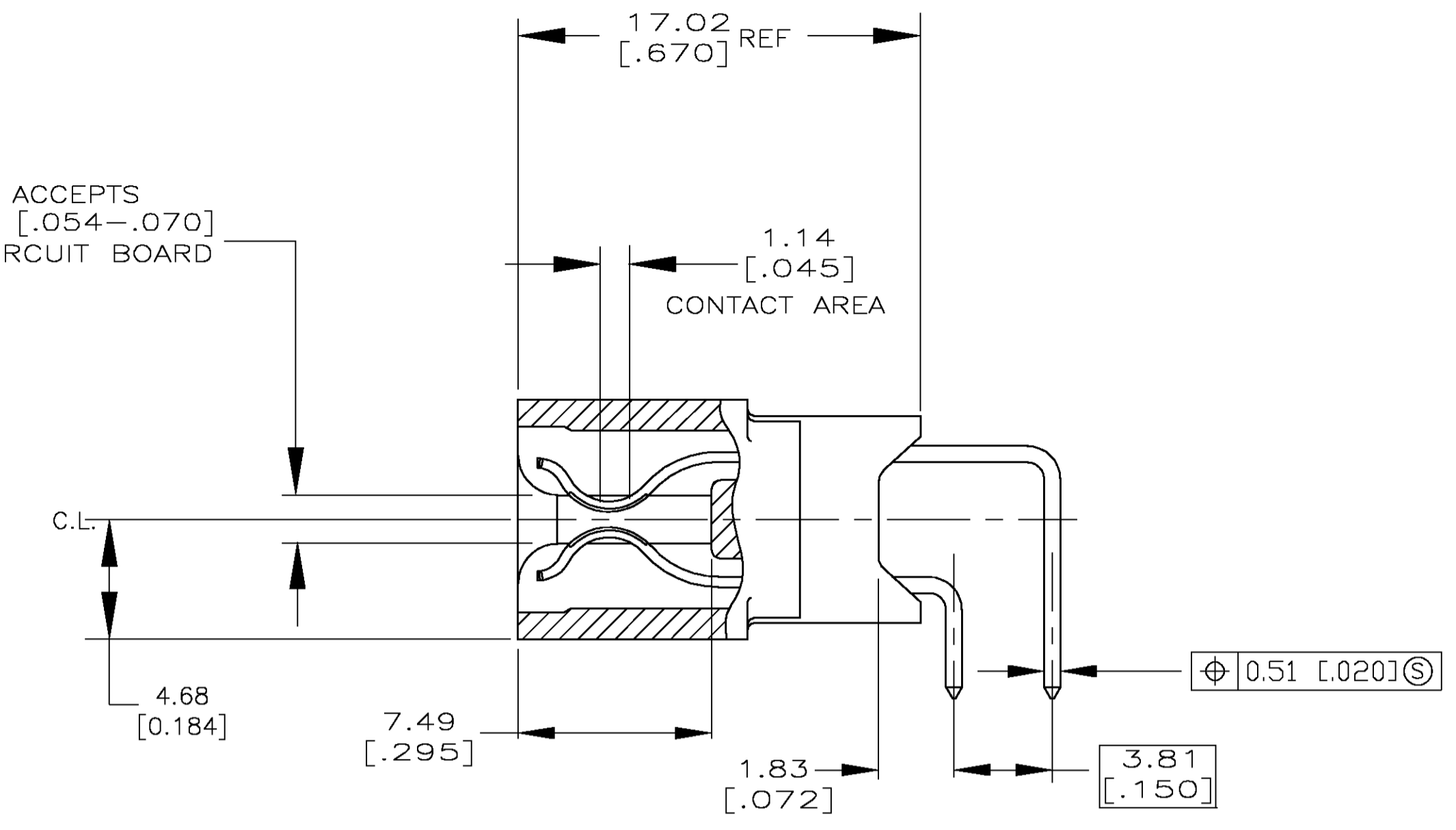
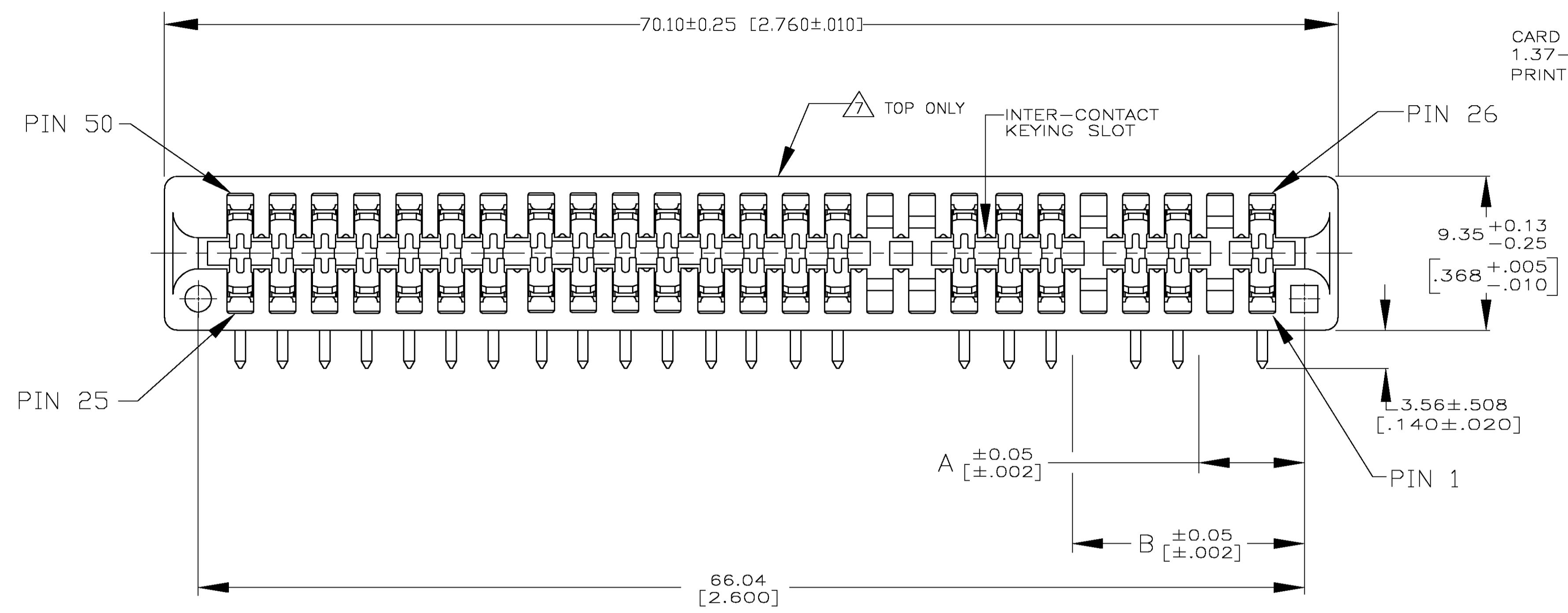


LOC		DIST		REVISONS			
P	LR	DESCRIPTION	DATE	BY	APVD		
B		REVISED PER EC 0512-0467-04	5 APR 05	AWF	AWF		



- ① HOUSING: GLASS FILLED POLYESTER; COLOR: BLACK.
- ② CONTACT: HIGH CONDUCTIVITY COPPER.
- ③ NICKEL UNDERPLATE: 0.00127 [0.000050] MIN - ALL OVER.
- ④ TIN-LEAD PLATE: 0.00254 [0.000100] MIN - SOLDER POSTS.
- ⑤ GOLD PLATE: 0.00038 [0.000015] MIN - CONTACT AREA.
- ⑥ NICKEL PLATE PER MIL-G-45204.
- ⑦ AMP PART NUMBER AND DATE CODE ARE MARKED IN APPROXIMATE AREA SHOWN, TOP SIDE.
- ⑧ RECOMMENDED PCB FINISHED HOLE $\phi 1.07 \pm 0.08$ [0.042 ± 0.003].

2,5,9,10, 27,30,34,35	NONE	25	1658963-1
OMIT PINS	KEY LOCATION	NO OF POSN	PART NUMBER

THIS DRAWING IS A CONTROLLED DOCUMENT.

DIMENSIONS:	TOLERANCES UNLESS OTHERWISE SPECIFIED:	DATE	17 DEC 03
MM (INCHES)	0 PLC ± -	AL FRANTUM	17 DEC 03
	1 PLC ± -	AL FRANTUM	17 DEC 03
	2 PLC ± 0.13 [0.005]		
	3 PLC ± -		
	4 PLC ± -		
	ANGLES ± 1°		

MATERIAL: ① ② ③ ④ ⑤

FINISH: ③ ④ ⑤

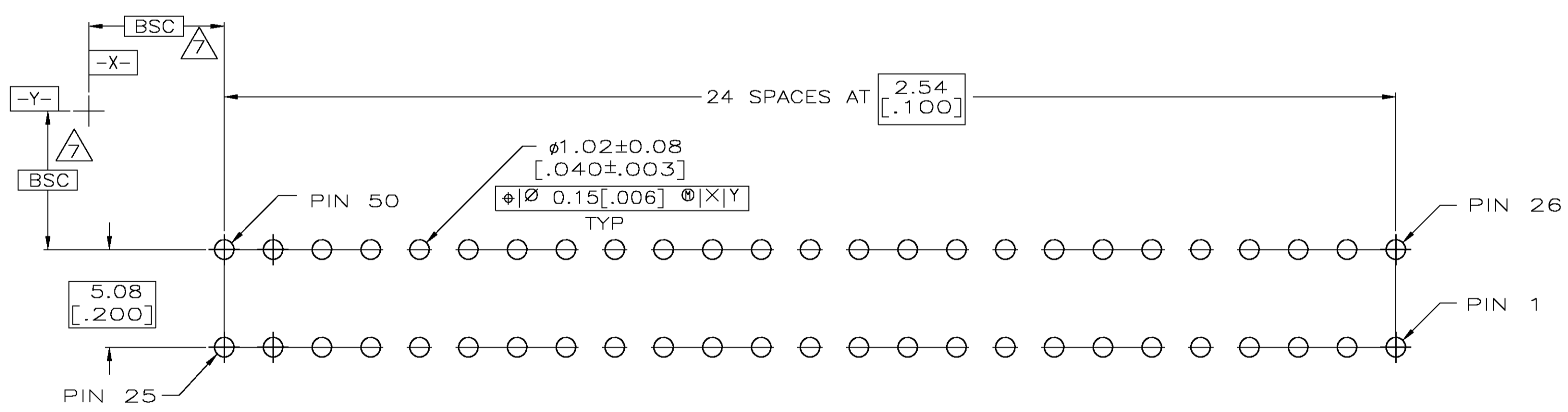
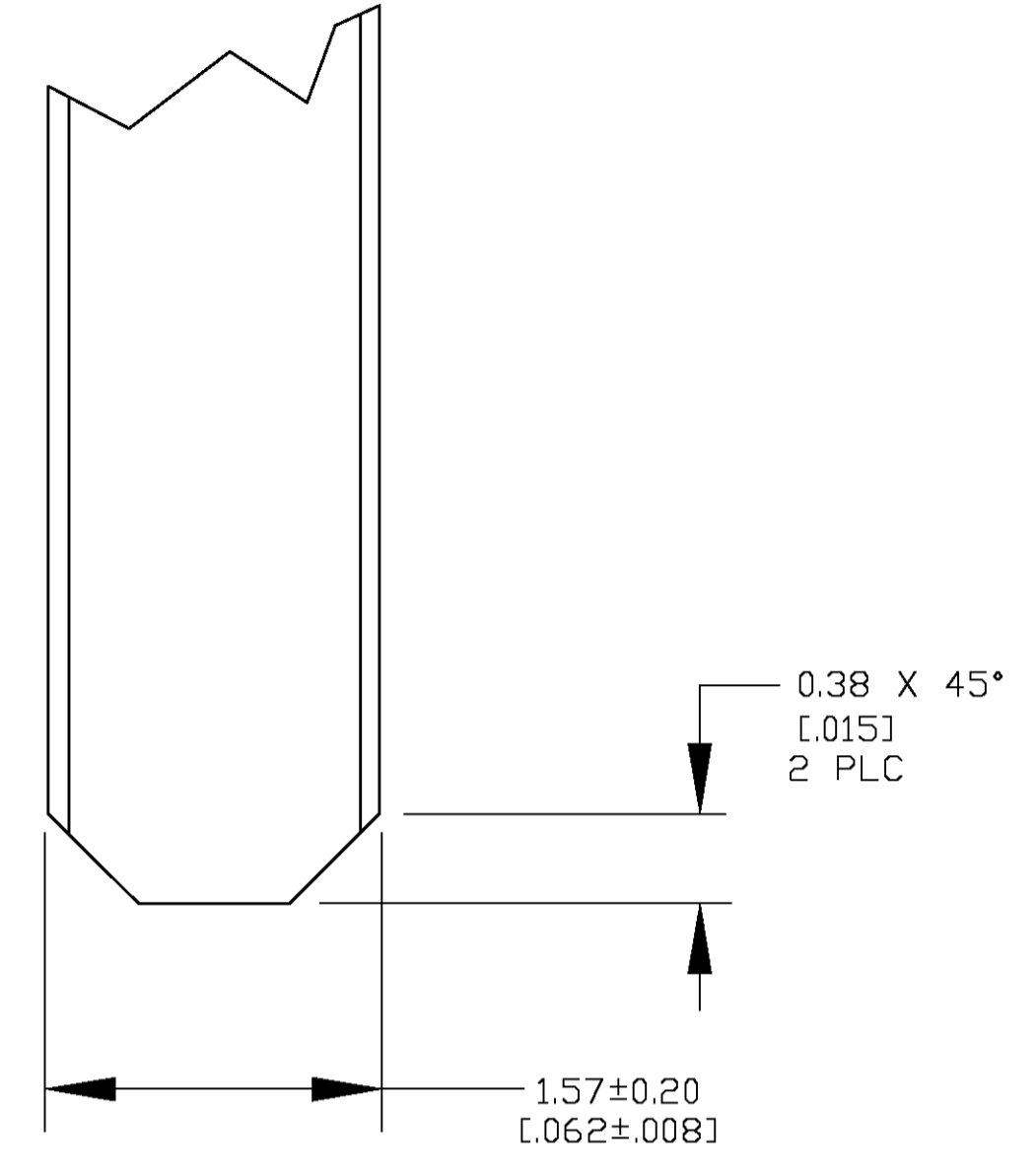
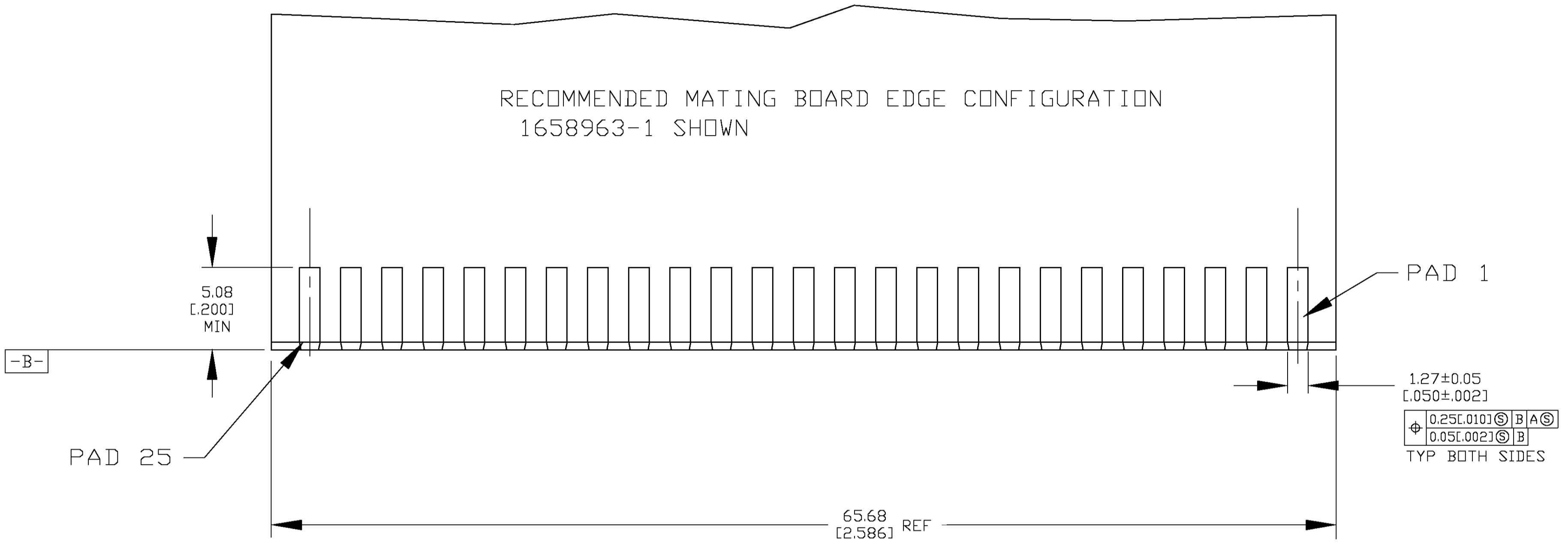
NAME: Tyco Electronics Corporation, Harrisburg, Pa, 17105

PRODUCT SPEC: CONNECTOR ASSEMBLY, HIGH CURRENT/CARD EDGE, 2.54 [0.100] CL x 3.81 [0.150], RIGHT ANGLE

APPLICATION SPEC: A1 00779 C=1658963

RESTRICTED TO: CUSTOMER DRAWING

SCALE: 5:1 SHEET 1 OF 2 REV B



RECOMMENDED PC BOARD HOLE LAYOUT

THIS DRAWING IS A CONTROLLED DOCUMENT.		DNW AL FRANTUM 17 DEC 03	Tyco Electronics Corporation Harrisburg, Pa, 17105	
DIMENSIONS:		AL FRANTUM 17 DEC 03	NAME CONNECTOR ASSEMBLY, HIGH CURRENT CARD EDGE, 2.54 [0.100] CL x 3.81 [0.150], RIGHT ANGLE	
MM	TOLERANCES UNLESS OTHERWISE SPECIFIED:	APVD	PRODUCT SPEC	
	0 PLC ± -	PRODUCT SPEC	APPLICATION SPEC	
	1 PLC ± -	WEIGHT	SIZE CASE CODE DRAWING NO	
	2 PLC ± ± 0.13 [0.005]	A1 00779 C=1658963	RESTRICTED TO	
	3 PLC ± -	CUSTOMER DRAWING	SCALE 5:1	SHEET 2 OF 2
	4 PLC ± -			REV B
	ANGLES ± 1°			
MATERIAL	FINISH			