

© - TE Connectivity. All Rights Reserved.

REVISIONS

P	LTR	DESCRIPTION	DATE	DWN	APVD
A		REV PER ECN-22-157761	23JUN2022	JAB	PJD

COMPONENT	MATERIAL	FINISH
HOUSING	STAINLESS STEEL PER ASTM-A-484 OR ASTM-A-582 TYPE 303	GOLD PLATED PER ASTM-B-488 OVER NICKEL PER QQ-N-290
DIELECTRIC	PTFE FLUOROCARBON PER ASTM-D-1457	-
CENTER CONTACT	BERYLLIUM COPPER PER ASTM-B-196 ALLOY C17300, CONDITION H	GOLD PLATED PER ASTM-B-488 OVER COPPER PER MIL-C-14550
CONTACT SLEEVE	BERYLLIUM COPPER PER ASTM-B-196 ALLOY C17300, CONDITION H	GOLD PLATED PER ASTM-B-488 OVER NICKEL PER QQ-N-290
CONTACT RING	BERYLLIUM COPPER PER ASTM-B-194 ALLOY C17200, CONDITION H	GOLD PLATED PER ASTM-B-488 OVER COPPER PER MIL-C-14550

ENVIRONMENTAL

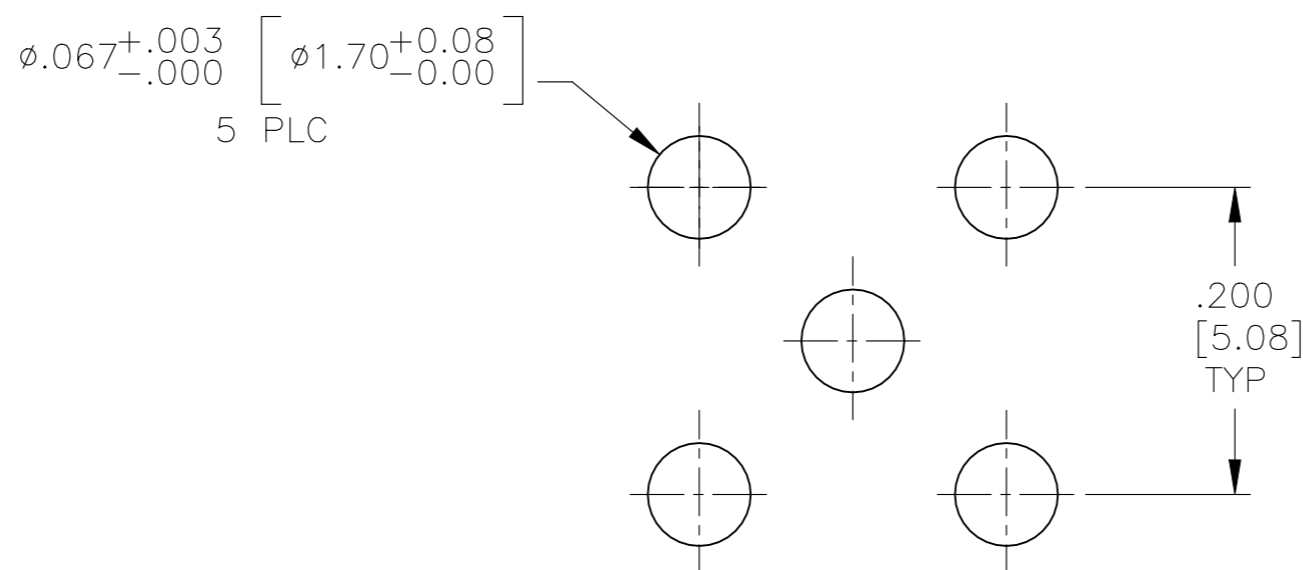
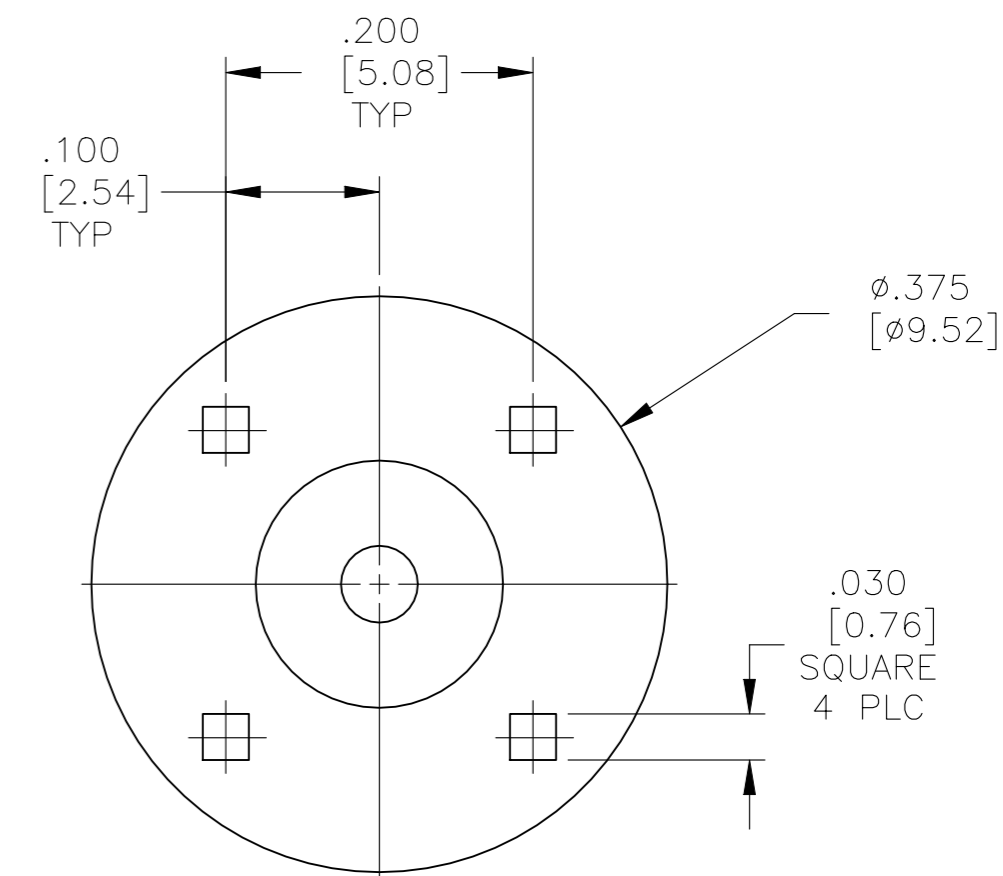
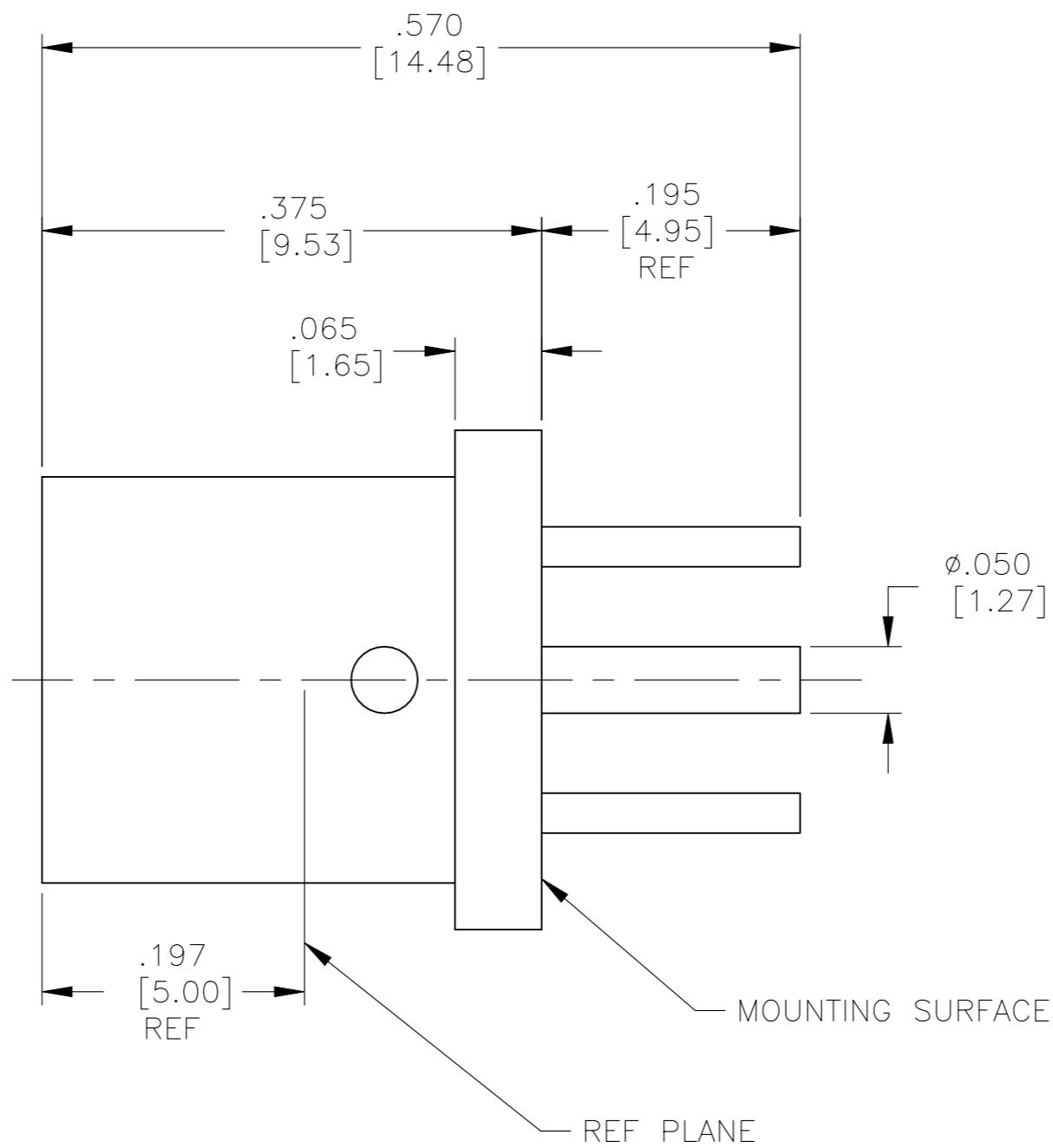
TEMPERATURE RATING: -65°C TO +125°C
VIBRATION: MIL-STD-202, METHOD 204, CONDITION D
SHOCK: MIL-STD-202, METHOD 213, CONDITION 1
MOISTURE RESISTANCE: MIL-STD-202, METHOD 106
CORROSION: MIL-STD-202, METHOD 101, CONDITION B.
THERMAL SHOCK: MIL-STD-202, METHOD 107, CONDITION B

MECHANICAL

INTERFACE DIMENSIONS: MIL-C-39012
RECOMMENDED MATING TORQUE: N/A
FORCE TO ENGAGE & DISENGAGE (IN-LBS MAX:): 1.5
WEIGHT (GRAMS): TBD
MATING CHARACTERISTICS: INSERTION (MAX LBS): 3.0
WITHDRAWAL (MIN OZ): 1.0
CABLE RETENTION: AXIAL FORCE (LBS): N/A
TORQUE (IN-OZ): N/A
CENTER CONTACT CAPTIVATION: AXIAL (LBS): 6.0
RADIAL (IN-OZ): N/A

ELECTRICAL

NORMAL IMPEDANCE (OHMS): 50
FREQUENCY RANGE (GHz): DC TO 18
VOLT RATING @ SEA LEVEL (VRMS MAX): 335
VSWR: N/A
INSERTION LOSS: (dB MAX): N/A
RF LEAKAGE (dB MIN): N/A
CORONA 70,000 FT (VRMS MIN): 250
DIELECTRIC WITHSTANDING VOLTAGE (VRMS MIN) AT SEA LEVEL: 1,000
I.R. (MEGOHMS MIN): 5,000
RF HIGH POTENTIAL AT SEA LEVEL (VRMS MIN @ 5 MHz): 670
CONTACT RESISTANCE (MILLIOHMS MAX):
CENTER CONTACT: 2.0
OUTER CONTACT: 2.0
CABLE TO HOUSING: N/A



RECOMMENDED MOUNTING PATTERN

JURISDICTION	EAR
CLASSIFICATION	EAR99
DATE OF MARKING	23JUN2022
THIS DOCUMENT CONTAINS CONTROLLED TECHNICAL DATA SUBJECT TO THE EXPORT ADMINISTRATION REGULATIONS (EAR). VIOLATIONS OF THESE EXPORT LAWS AND REGULATIONS ARE SUBJECT TO CIVIL AND CRIMINAL PENALTIES.	

THIS DRAWING IS A CONTROLLED DOCUMENT.		DWN	C.C.THOMAS	10-3-02	 TE Connectivity	PART NO.		1663069-1	
DIMENSIONS: INCHES		CHK	R.GROSS	10-3-02		NAME			
TOLERANCES UNLESS OTHERWISE SPECIFIED:		APVD	R.GROSS	10-3-02		OSP PWB STRAIGHT PCB JACK STRAIGHT TERMINAL,RF			
0 PLC ± -		PRODUCT SPEC	APPLICATION SPEC			SIZE	CAGE CODE	DRAWING NO	RESTRICTED TO
1 PLC ± -		WEIGHT			0.000000	A2	00779	C=1663069	-
2 PLC ± -		CUSTOMER DRAWING			SCALE		10:1	SHEET	1 of 1
3 PLC ± .005 [0.13]		MATERIAL			SEE TABLE		FINISH		SEE TABLE
4 PLC ± -		SCALE			10:1		SHEET		1 of 1
4 PLC ANGLES ± -		REV			A				