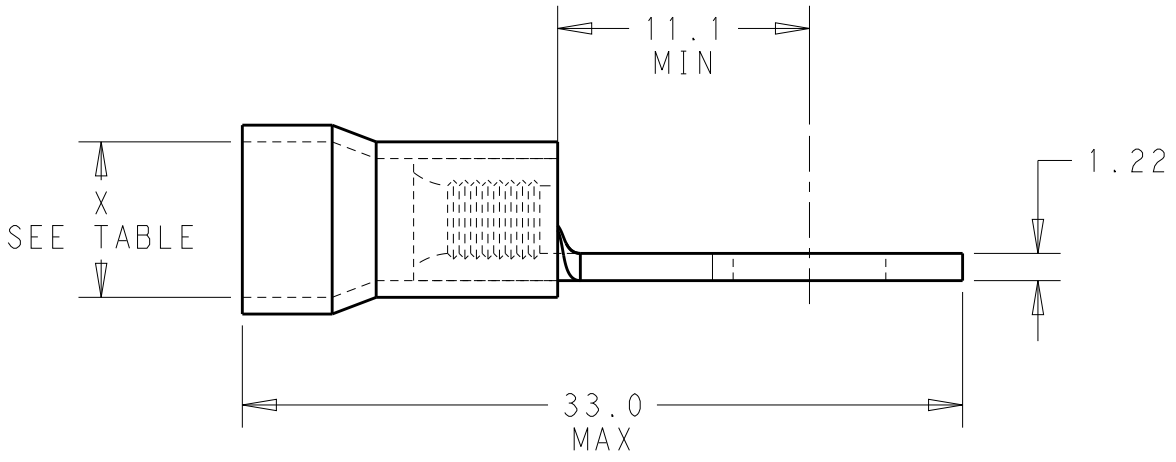
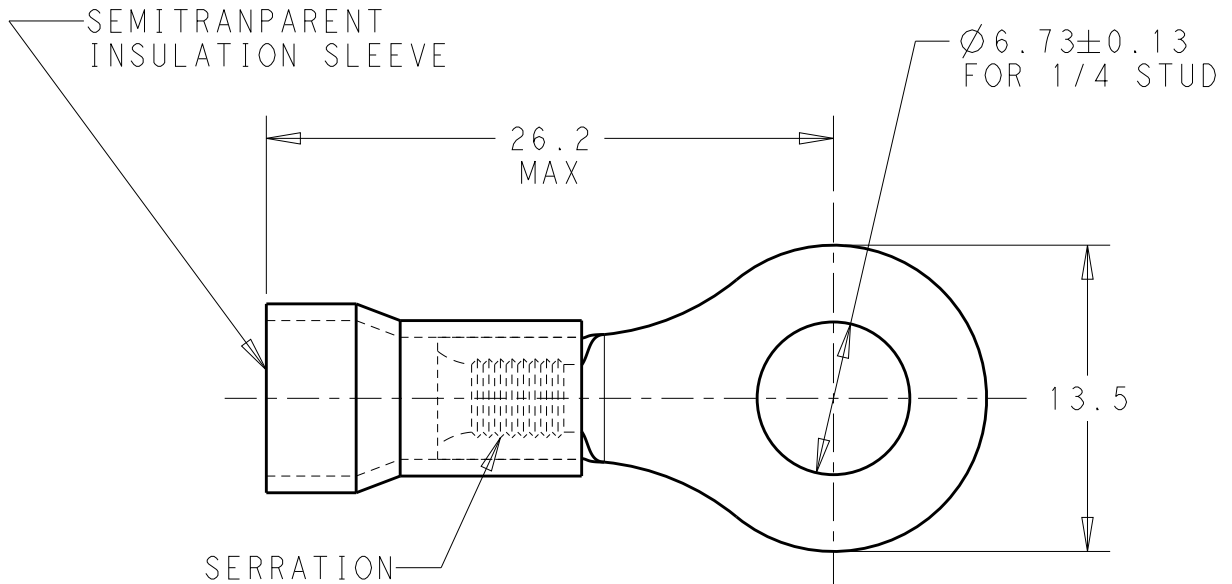


REVISIONS					
P	LTR	DESCRIPTION	DATE	DWN	APVD
	B	REVISED PER ECR-17-015164	12OCT2017	YO	NY



WIRE RANGE 1.04-2.63mm² (AWG 16-14)

PART NO	X	EQUIALENT P/N
170535-1	3.81~6.35	323689

THIS DRAWING IS UNPUBLISHED.
 ALL RIGHTS RESERVED.
 © COPYRIGHT copyright_dBTe -

DIMENSIONS: mm

TOLERANCES UNLESS OTHERWISE SPECIFIED: ±0.5

0 PLC	±
1 PLC	±
2 PLC	±
3 PLC	±
4 PLC	±

ANGLES ±1°

DWN	T. GOTO	12OCT2017
CHK	Y. OKADA	12OCT2017
APVD	N. YAMASAKI	12OCT2017
PRODUCT SPEC	-	
APPLICATION SPEC	-	
WEIGHT	-	

MATERIAL	COPPER	FINISH	TIN PLATING	ANNEAL
TE Connectivity				
NAME	PG RING TERMINAL			
SIZE	CAGE CODE	DRAWING NO	RESTRICTED TO	
A4	00779	C-170535	-	
CUSTOMER DRAWING			SCALE	3:1
			SHEET	1 OF 1
			REV	B