

4

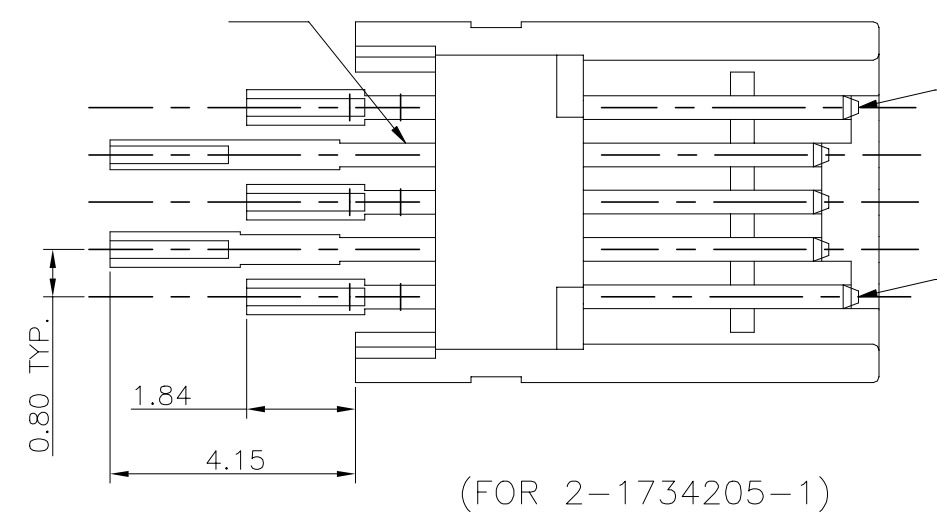
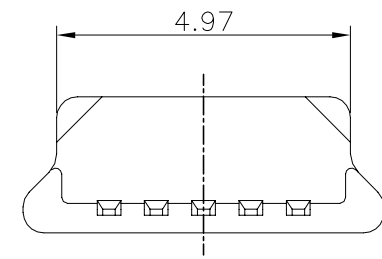
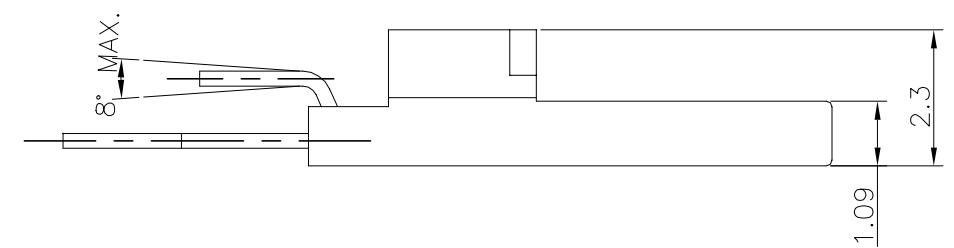
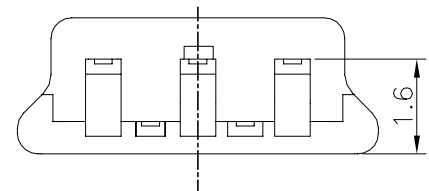
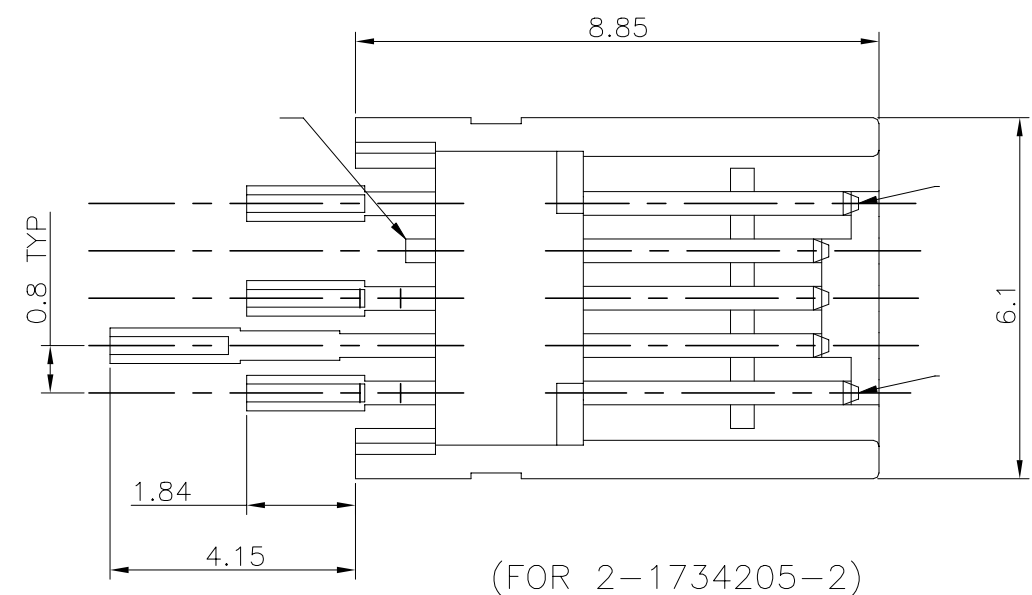
3

2

1

THIS DRAWING IS UNPUBLISHED. RELEASED FOR PUBLICATION  
 © COPYRIGHT 2011 BY TYCO ELECTRONICS CORPORATION. ALL RIGHTS RESERVED.

LOC		DIST		REVISIONS				
P	LTR	DESCRIPTION			DATE	DWN	APVD	
	C	REVISED AS PER ECN-22-176158			03AUG'22	HS	SZ	



- NOTE:
- MATERIAL:  
HOUSING: THERMOPLASTIC UL 94V-0, COLOR: BLACK.  
CONTACTS: COPPER ALLOY, THICKNESS: 0.25mm.
  - FINISH:  
CONTACTS: GOLD FLASH OVER  
30u" MIN. PALLADIUM-NICKEL OR ALTERNATIVE 30u" MIN. GOLD PLATED ON CONTACT AREA,  
100u" MIN. MATTE-TIN PLATED ON SOLDER TAILS,  
50u" MIN. NICKEL UNDERPLATED ALL OVER.
  - THIS IS BELONG TO NONSOLDERED PART.

4-1734205-1	3-1734205-1	W/O	2-1734205-2	1-1734205-1
		W/	2-1734205-1	1734205-1
REAR SHELL	FRONT SHELL	PIN #4	HOUSING	PART NUMBER

THIS DRAWING IS A CONTROLLED DOCUMENT.		DWN	O. HU	09MAR2006									
DIMENSIONS: mm		CHK	S. HOU	09MAR2006									
		APVD	W.J. KE	09MAR2006									
TOLERANCES UNLESS OTHERWISE SPECIFIED: 0 PLC ± 0.38 1 PLC ± 0.25 2 PLC ± 0.20 3 PLC ± 0.05 4 PLC ± - ANGLES ± 3°		PRODUCT SPEC 108-57062 APPLICATION SPEC		NAME									
MATERIAL SEE NOTE		FINISH SEE NOTE		WEIGHT	0.08 GRAMS	SIZE	A3	CAGE CODE	00779	DRAWING NO	C=1734205	RESTRICTED TO	
		CUSTOMER DRAWING		SCALE		SHEET		1 of 6		REV		C	

4

3

2

1

THIS DRAWING IS UNPUBLISHED.

RELEASED FOR PUBLICATION

---

© COPYRIGHT 2011 BY TYCO ELECTRONICS CORPORATION. ALL RIGHTS RESERVED.

LOC

DIST

REVISIONS

DW

P

LTR

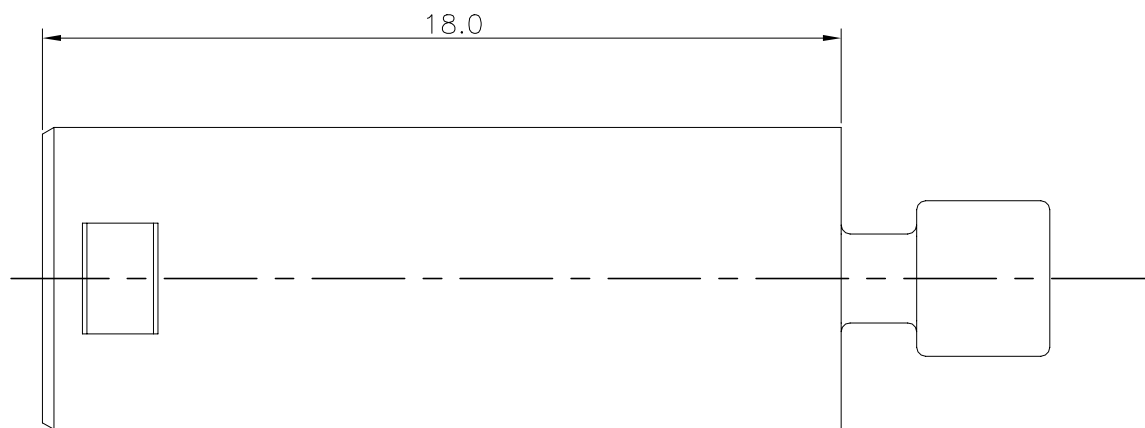
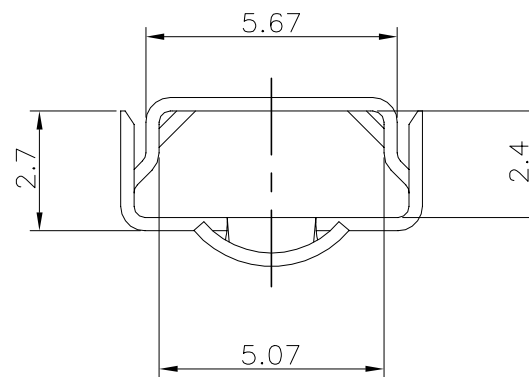
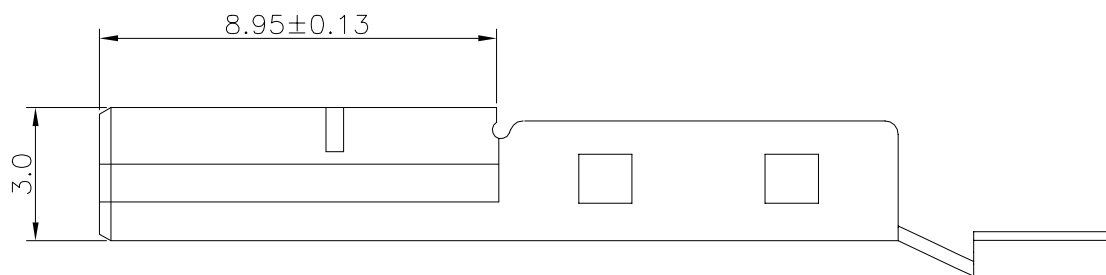
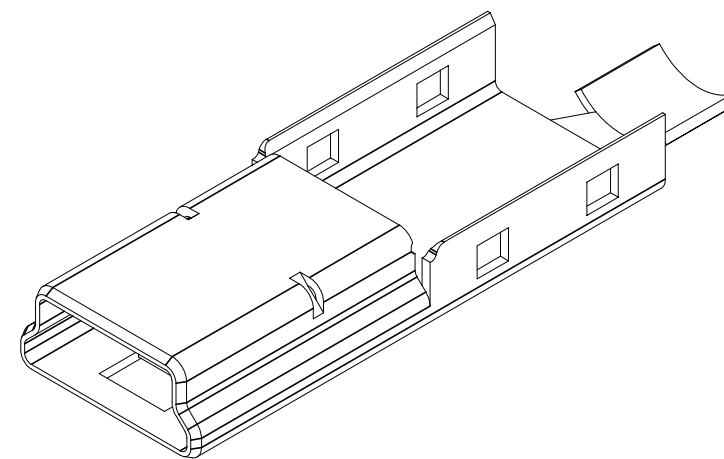
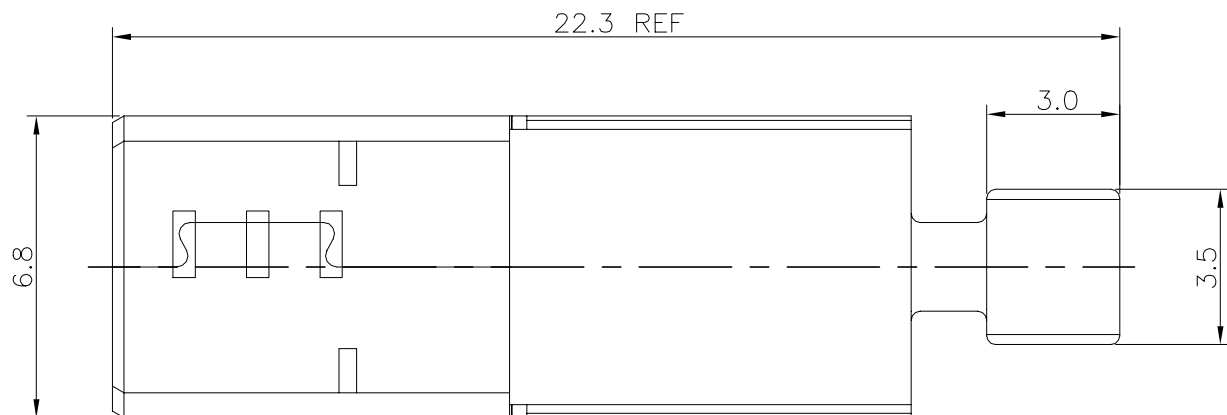
DESCRIPTION

DATE

DWN

APVD

SEE SHEET 1.



3-1734205-1

PART NUMBER

THIS DRAWING IS A CONTROLLED DOCUMENT.

DWN

CHK

APVD

PRODUCT SPEC

APPLICATION SPEC

WEIGHT

CUSTOMER DRAWING



TE Connectivity

NAME

MINI USB TYPE B, PLUG, CABLE KITS

SIZE

CAGE CODE

DRAWING NO

RESTRICTED TO

A3 00779 C-1734205

SCALE

SHEET

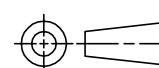
2 of 6

REV

C

DIMENSIONS:

mm



TOLERANCES UNLESS OTHERWISE SPECIFIED:

- 0 PLC ± 0.38
- 1 PLC ± 0.25
- 2 PLC ± 0.20
- 3 PLC ± 0.05
- 4 PLC ± -
- ANGLES ± 3'

MATERIAL

FINISH

4

3

2

1

THIS DRAWING IS UNPUBLISHED.

RELEASED FOR PUBLICATION

---

© COPYRIGHT 2011 BY TYCO ELECTRONICS CORPORATION. ALL RIGHTS RESERVED.

LOC

DIST

REVISIONS

DW

P

LTR

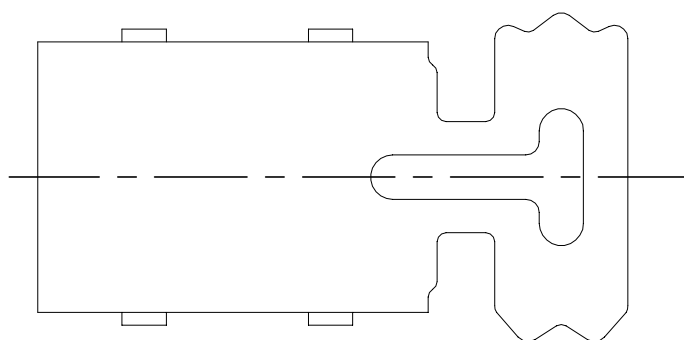
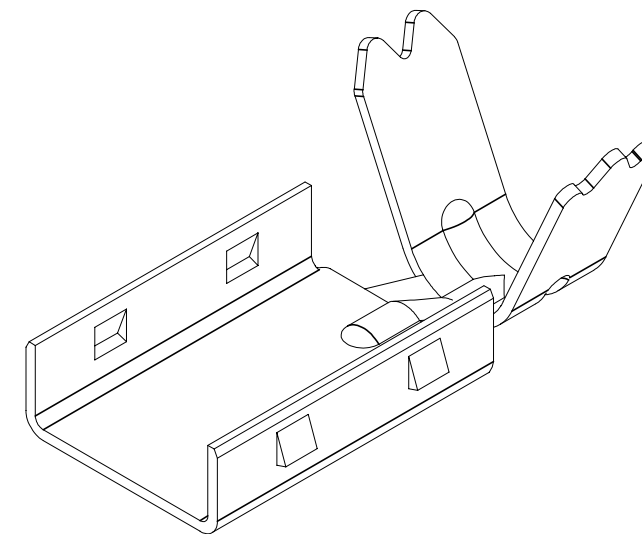
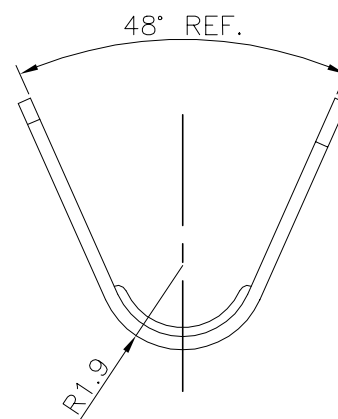
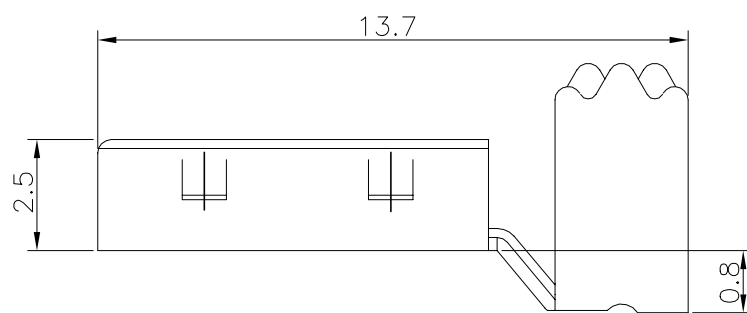
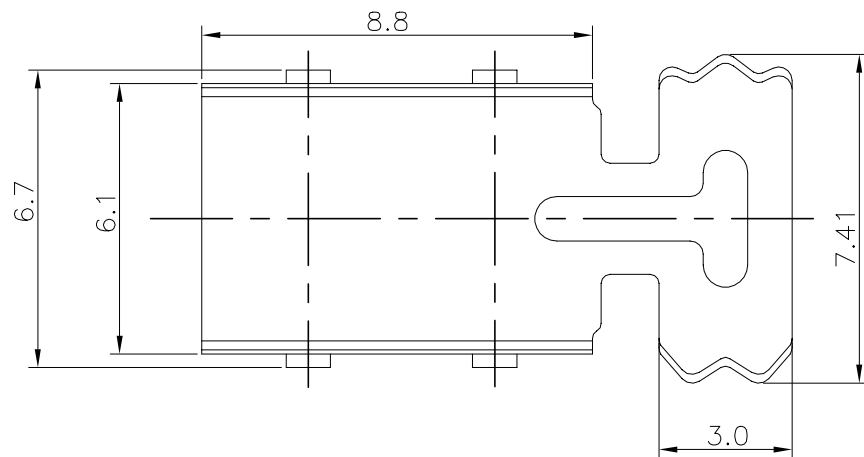
DESCRIPTION

DATE

DWN

APVD

SEE SHEET 1.



4-1734205-1

PART NUMBER

THIS DRAWING IS A CONTROLLED DOCUMENT.

DWN

CHK

APVD

PRODUCT SPEC

APPLICATION SPEC

WEIGHT

CUSTOMER DRAWING

**TE** TE Connectivity

NAME

MINI USB TYPE B, PLUG, CABLE KITS

SIZE

CAGE CODE

DRAWING NO

RESTRICTED TO

A3 00779 C-1734205

SCALE

SHEET

3 of 6

REV

C

DIMENSIONS:  
mm

TOLERANCES UNLESS  
OTHERWISE SPECIFIED:

- 0 PLC ± 0.38
- 1 PLC ± 0.25
- 2 PLC ± 0.20
- 3 PLC ± 0.05
- 4 PLC ± -
- ANGLES ± 3'

MATERIAL

FINISH

4

3

2

1

THIS DRAWING IS UNPUBLISHED.

RELEASED FOR PUBLICATION

---

© COPYRIGHT 2011 BY TYCO ELECTRONICS CORPORATION. ALL RIGHTS RESERVED.

LOC

DIST

REVISIONS

DW

P

LTR

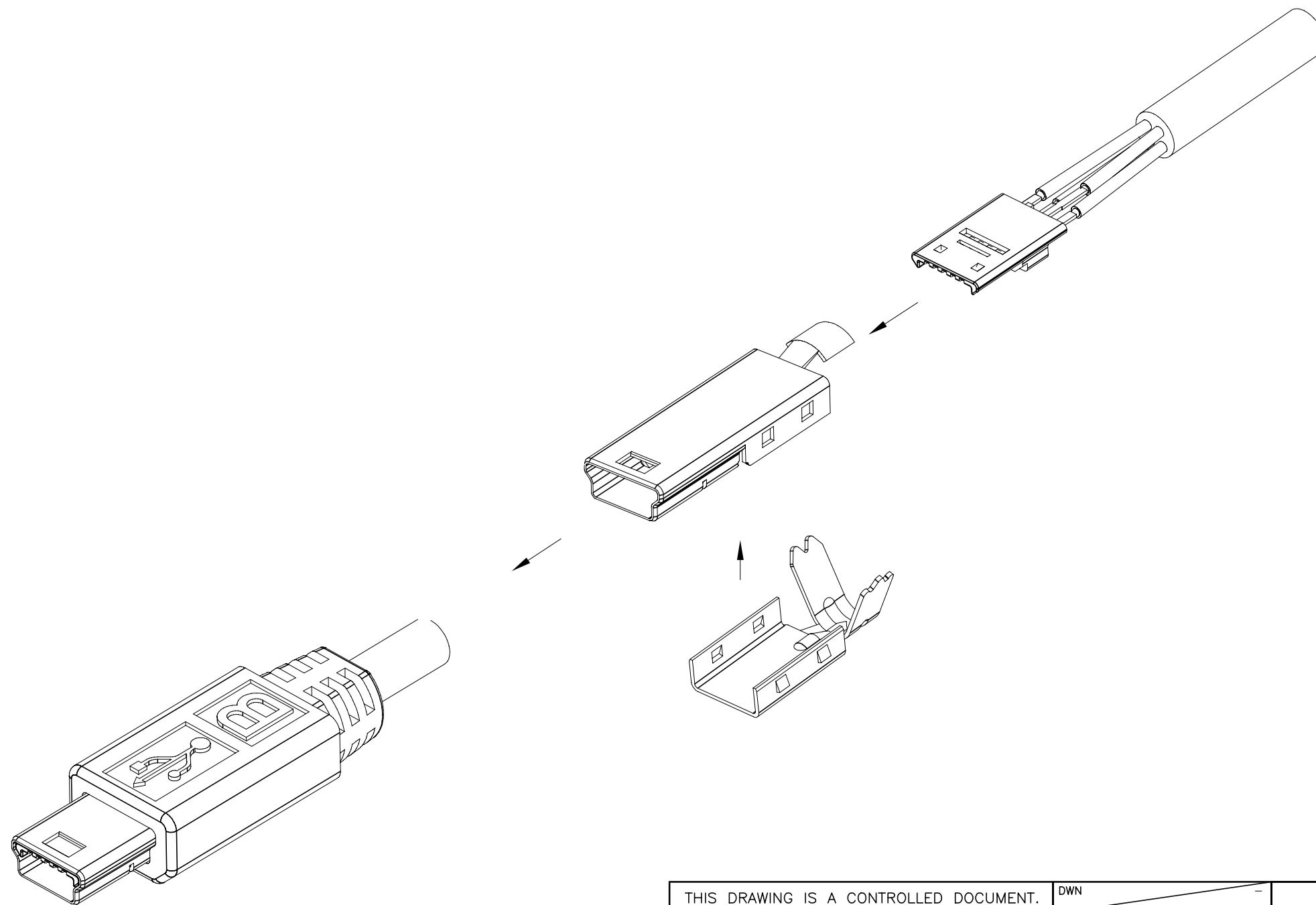
DESCRIPTION

DATE

DWN

APVD

SEE SHEET 1.



THIS DRAWING IS A CONTROLLED DOCUMENT.		DWN	<b>TE</b> TE Connectivity	
DIMENSIONS: mm		CHK		
TOLERANCES UNLESS OTHERWISE SPECIFIED:		APVD	NAME	
0 PLC ± -		PRODUCT SPEC	MINI USB TYPE B, PLUG, CABLE KITS	
1 PLC ± -		APPLICATION SPEC	SIZE	CAGE CODE
2 PLC ± -		WEIGHT	A3	00779
3 PLC ± -		CUSTOMER DRAWING	DRAWING NO	RESTRICTED TO
4 PLC ± -		SCALE	1734205	-
ANGLES ± -		SHEET	4 of 6	REV
MATERIAL	FINISH	REV	C	

4

3

2

1

THIS DRAWING IS UNPUBLISHED.

RELEASED FOR PUBLICATION

---

© COPYRIGHT 2011 BY TYCO ELECTRONICS CORPORATION. ALL RIGHTS RESERVED.

LOC

DIST

REVISIONS

DW

P

LTR

DESCRIPTION

DATE

DWN

APVD

SEE SHEET 1.

OVERMOLD BY CUSTOMER

5.5x5.5

10.0 REF.

8.0 REF.

1.0 REF.

5.0 REF.

16.2 REF.

6.8 MIN.

22.0 REF.

11.0 MAX.

8.5 MAX.

45°

6.07 REF.

THIS DRAWING IS A CONTROLLED DOCUMENT.

DWN

CHK

APVD

PRODUCT SPEC

APPLICATION SPEC

WEIGHT

CUSTOMER DRAWING



TE Connectivity

NAME

MINI USB TYPE B, PLUG, CABLE KITS

SIZE

CAGE CODE

DRAWING NO

RESTRICTED TO

A3

00779

C-1734205

SCALE

SHEET

5 of 6

REV

C

4

3

2

1

THIS DRAWING IS UNPUBLISHED.

RELEASED FOR PUBLICATION

---

© COPYRIGHT 2011 BY TYCO ELECTRONICS CORPORATION. ALL RIGHTS RESERVED.

LOC

DIST

REVISIONS

DW

P

LTR

DESCRIPTION

DATE

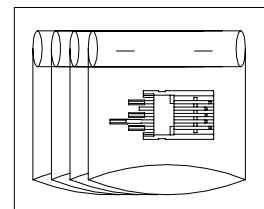
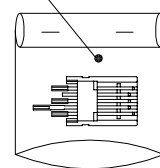
DWN

APVD

SEE SHEET 1.

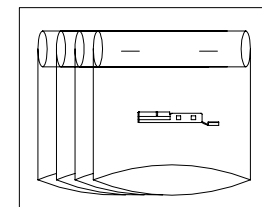
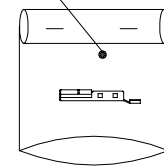
2-1734205-1 OR 2-1734205-2

PE BAG  
1000PCS/PAG  
10 PAGES/CARTON



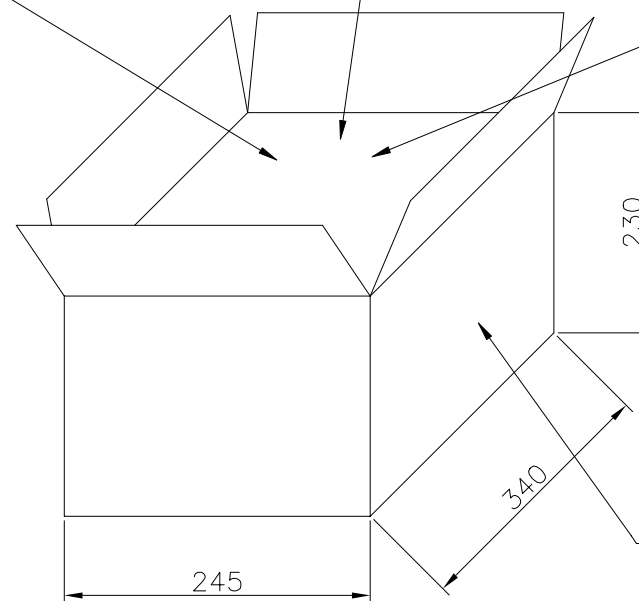
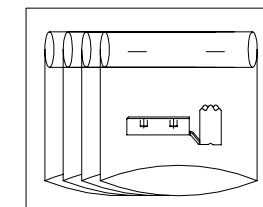
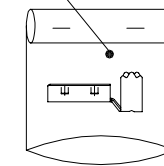
3-1734205-1

PE BAG  
1000PCS/PAG  
10 PAGES/CARTON



4-1734205-1

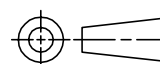
PE BAG  
1000PCS/PAG  
10 PAGES/CARTON



CARTON  
TOTAL: 10000 SET  
NET WEIGHT: 10.4 KGS  
GROSS WEIGHT: 11.4 KGS

THIS DRAWING IS A CONTROLLED DOCUMENT.

DIMENSIONS:  
mm



TOLERANCES UNLESS OTHERWISE SPECIFIED:

- 0 PLC ± -
- 1 PLC ± -
- 2 PLC ± -
- 3 PLC ± -
- 4 PLC ± -
- ANGLES ± -

MATERIAL

FINISH

DWN

CHK

APVD

PRODUCT SPEC

APPLICATION SPEC

WEIGHT

CUSTOMER DRAWING

**STE** TE Connectivity

NAME

MINI USB TYPE B, PLUG, CABLE KITS

SIZE

CAGE CODE

DRAWING NO

RESTRICTED TO

A3 00779 C-1734205

SCALE

SHEET

6 of 6

REV

C