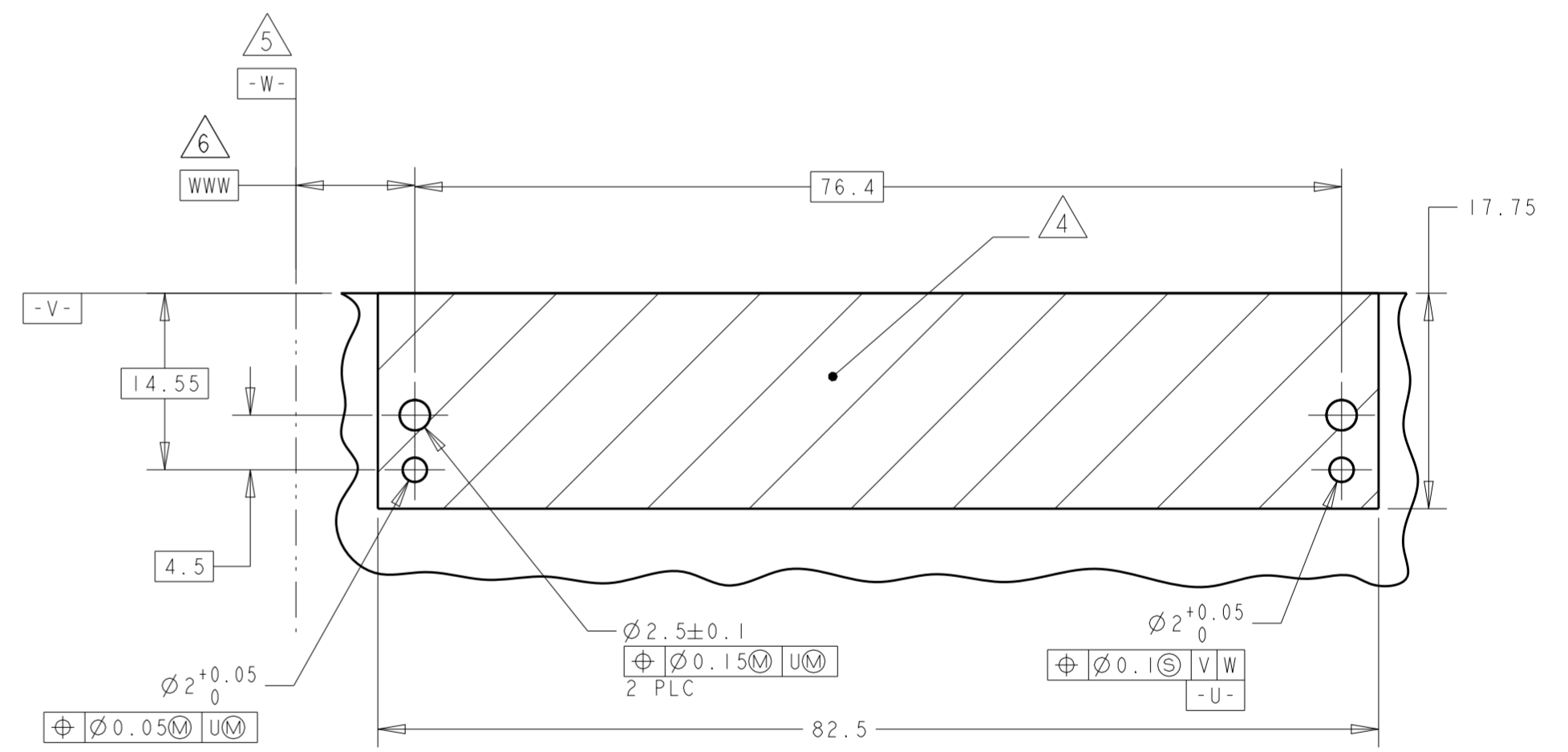
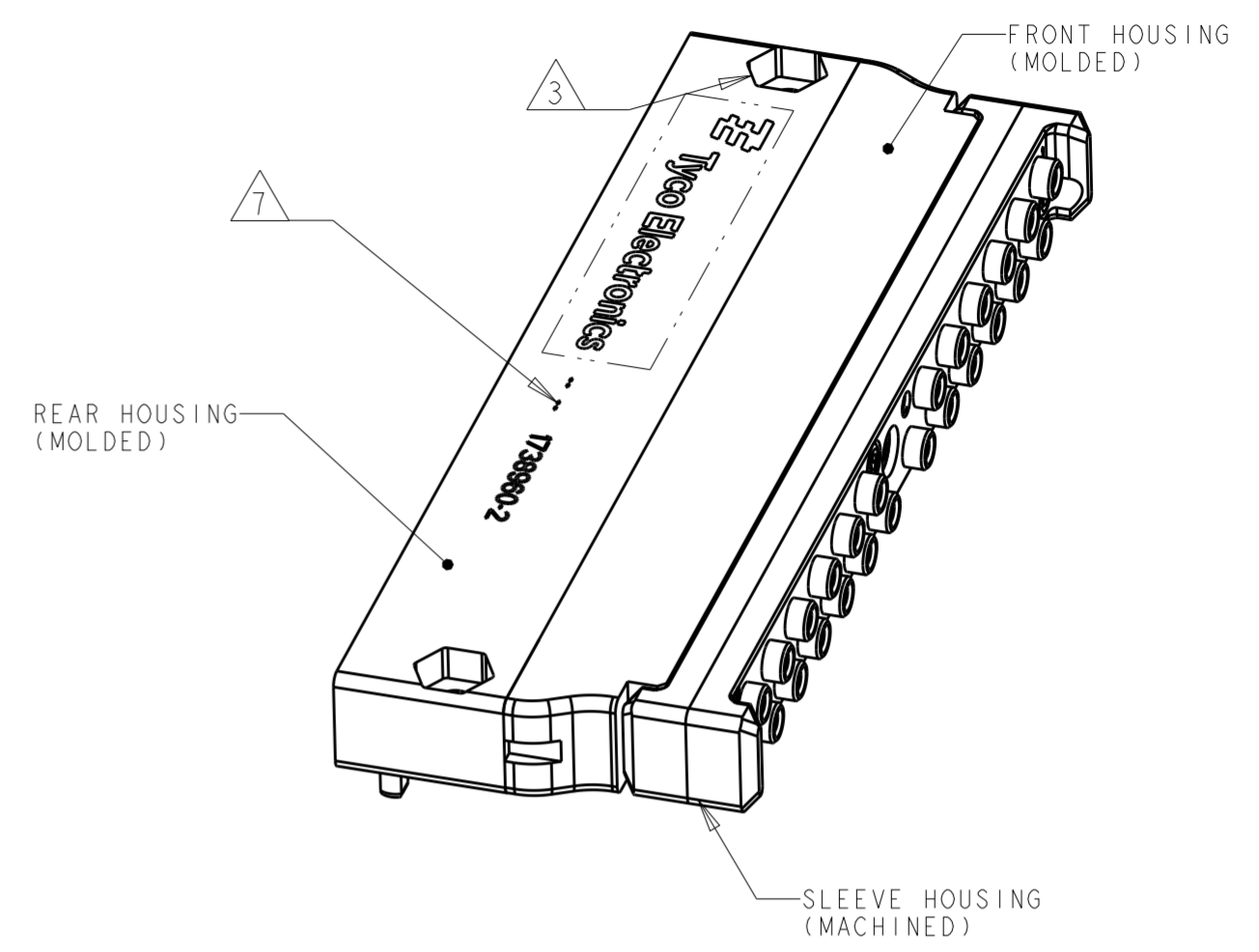
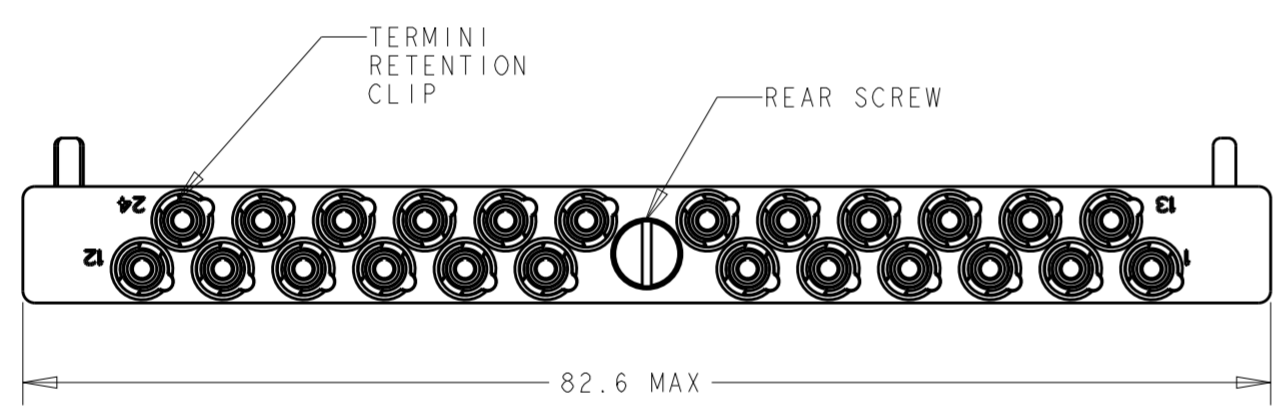
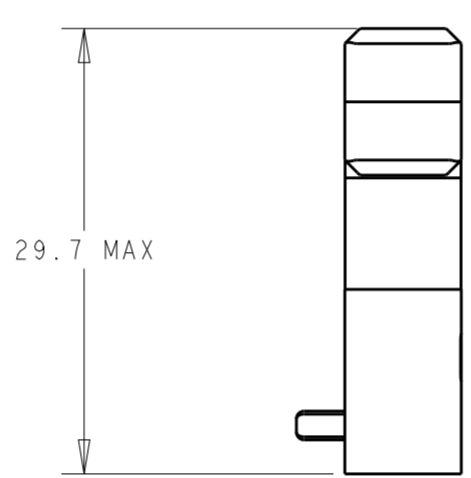
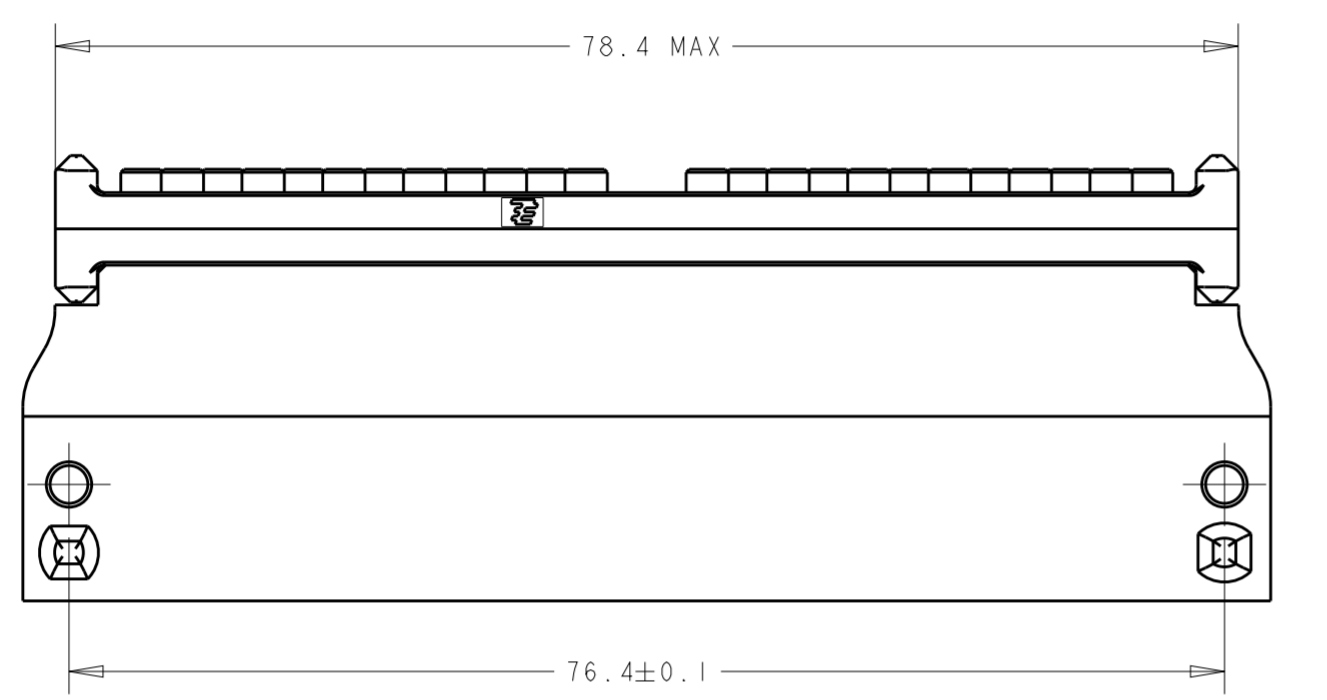
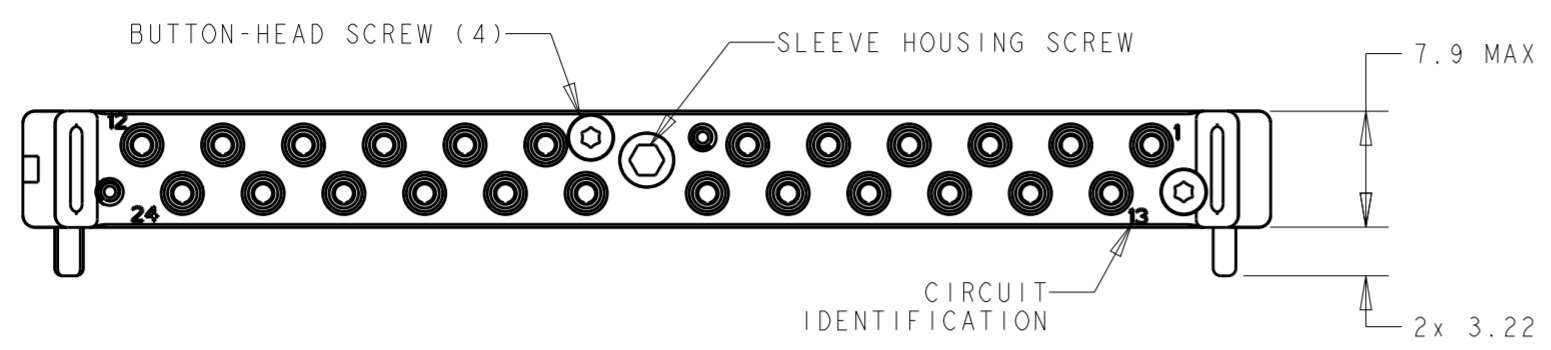


THIS DRAWING IS UNPUBLISHED. RELEASED FOR PUBLICATION 20  
 © COPYRIGHT 20 BY - ALL RIGHTS RESERVED.

| REVISIONS |     |                       |         |     |      |
|-----------|-----|-----------------------|---------|-----|------|
| P         | LTR | DESCRIPTION           | DATE    | DWN | APVD |
| C         |     | REV PER ECO 17-002345 | 2-22-17 | CT  | KH   |



RECOMMENDED PCB LAY-OUT 8 9

1 SLEEVE HOUSING: ALUMINUM ALLOY 6061, FRONT & REAR HOUSING: GLASS-FILLED LCP THERMOPLASTIC, UL 94 V-0 RATED, COLOR: NATURAL (BEIGE). TERMINI RETENTION CLIP: STAINLESS STEEL PER AISI 301. SLEEVE HOUSING SCREW & HOUSING NUT: STAINLESS STEEL PER AISI 303. REAR SCREW AND BUTTON-HEAD SCREW: STAINLESS STEEL. SLEEVES: ZIRCONIA

2 SLEEVE HOUSING: ANODIZED PER MIL-A-8625, COLOR: GOLD.

3 POCKETS FOR 4.76 [3/16 in] HEX NUT

4 AREA REQUIRED FOR CONNECTOR PLACEMENT.

5 DATUM ESTABLISHED BY CUSTOMER.

6 BASIC DIMENSION ESTABLISHED BY CUSTOMER.

7 DATE CODE: YEAR & WEEK (YY WW)

8 MISALIGNMENT ALLOWED BETWEEN THE MODULE CONNECTOR & THE CUTOUT FOR THE BACKPLANE CONNECTOR, TYCO PART NUMBER 1738965-1: 1mm MAX

9 ACCOMMODATES PC BOARD THICKNESS RANGE 1.47-3.05 mm.

10. RECOMMENDED TERMINI APPLICATION TOOLING:  
 INSTALLING TOOL: DANIELS MFG. CORP. P/N DAK83-16  
 REMOVAL TOOL: DANIELS MFG. CORP. P/N DRK83-16

11. THE SLEEVE HOLDER ASSEMBLY, 1954573-1, IS AVAILABLE SEPARATELY.

12. LuxCis® IS A REGISTERED TRADEMARK OF RADIALL SA.

|                          |           |
|--------------------------|-----------|
| 1738960-2                | 1738960-1 |
| SUPERCEDED BY: 1738960-2 |           |
| PART NUMBER              |           |

|  |            |                    |  |               |
|--|------------|--------------------|--|---------------|
| THIS DRAWING IS A CONTROLLED DOCUMENT. |            | DWN BH 09MAY2004   | <b>STE</b> TE Connectivity                                 |               |
| DIMENSIONS: mm                         |            | CHK JPM 09MAY2004  |  |               |
| TOLERANCES UNLESS OTHERWISE SPECIFIED: |            | APVD JPM 09MAY2004 | NAME   |               |
| 0 PLC ±0.1                             | 1 PLC ±0.1 | PRODUCT SPEC       | CONNECTOR, MODULE, 24 POSITION, FOR LuxCis OPTICAL TERMINI |               |
| 2 PLC ±0.1                             | 3 PLC ±    | 108-2247           | SIZE   | CAGE CODE     |
| 4 PLC ±                                | ANGLES ±   | 114-13192          | A2   | -             |
| MATERIAL                               | FINISH     | WEIGHT             | DRAWING NO   | RESTRICTED TO |
| - 1                                    | 2          | -                  | G-1738960  | -             |
| CUSTOMER DRAWING                       |            |                    | SCALE 2:1  | SHEET 1 OF 1  |
|  |            |                    | REV C  |               |