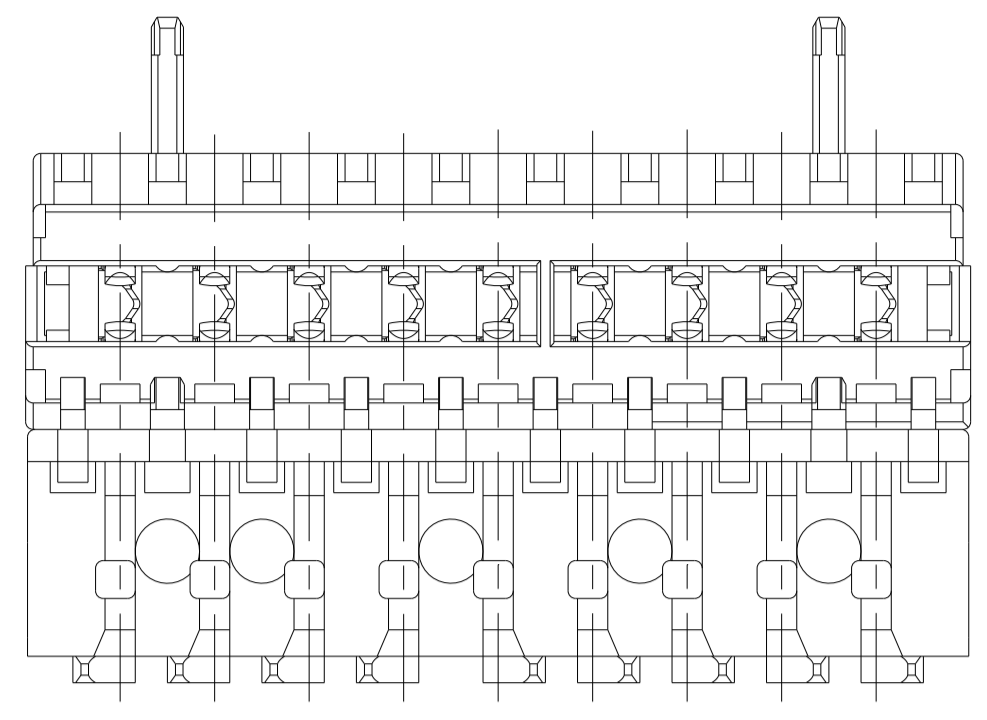
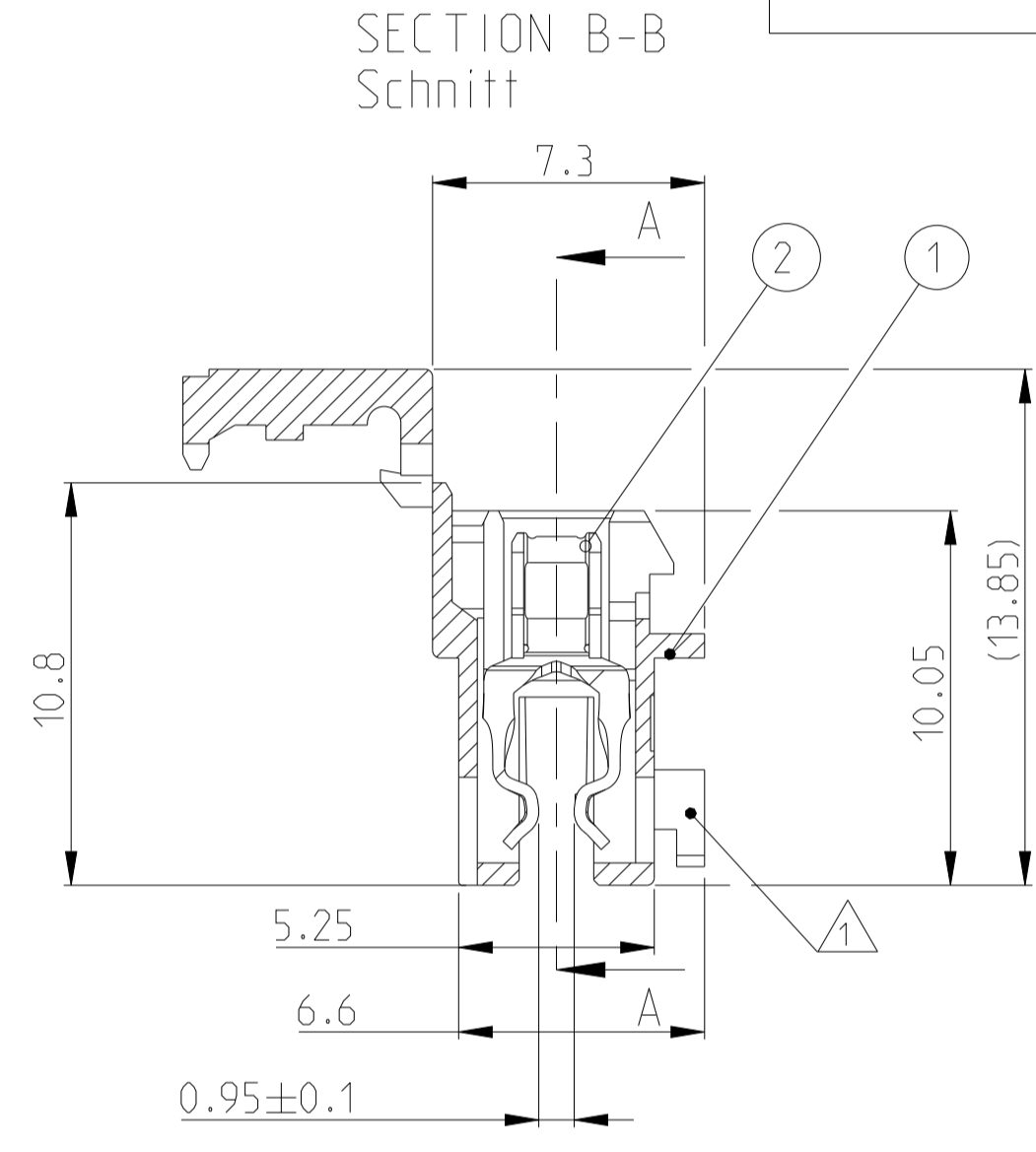
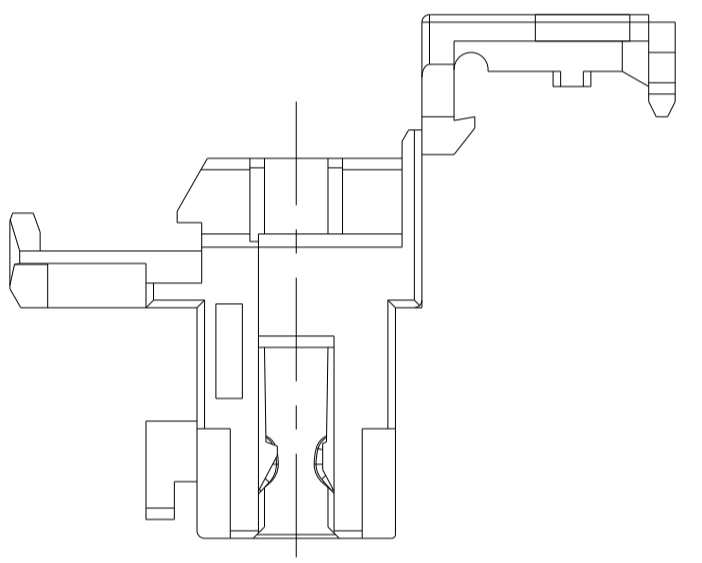
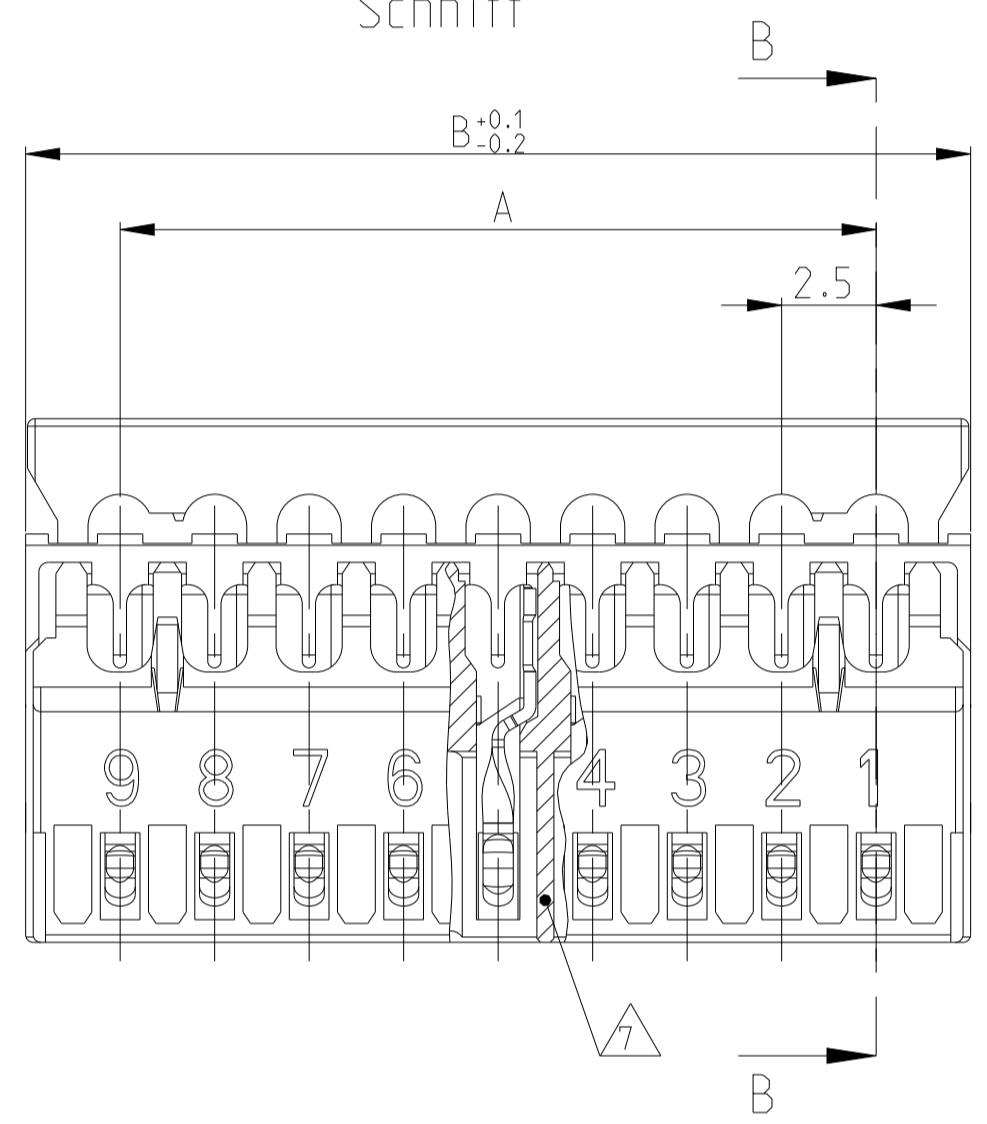


LOC	DIST	REVISIONS			
A1	-	REV	DATE	BY	APPV
B36	ECR-23-190305		23DEC2023	SM	FL
B37	ECR-23-194003		01DEC2023	SP	FL
B38	ECR-24-197520		22JAN2024	SM	FL
B39	ECR-24-198569		31JAN2024	SM	FL

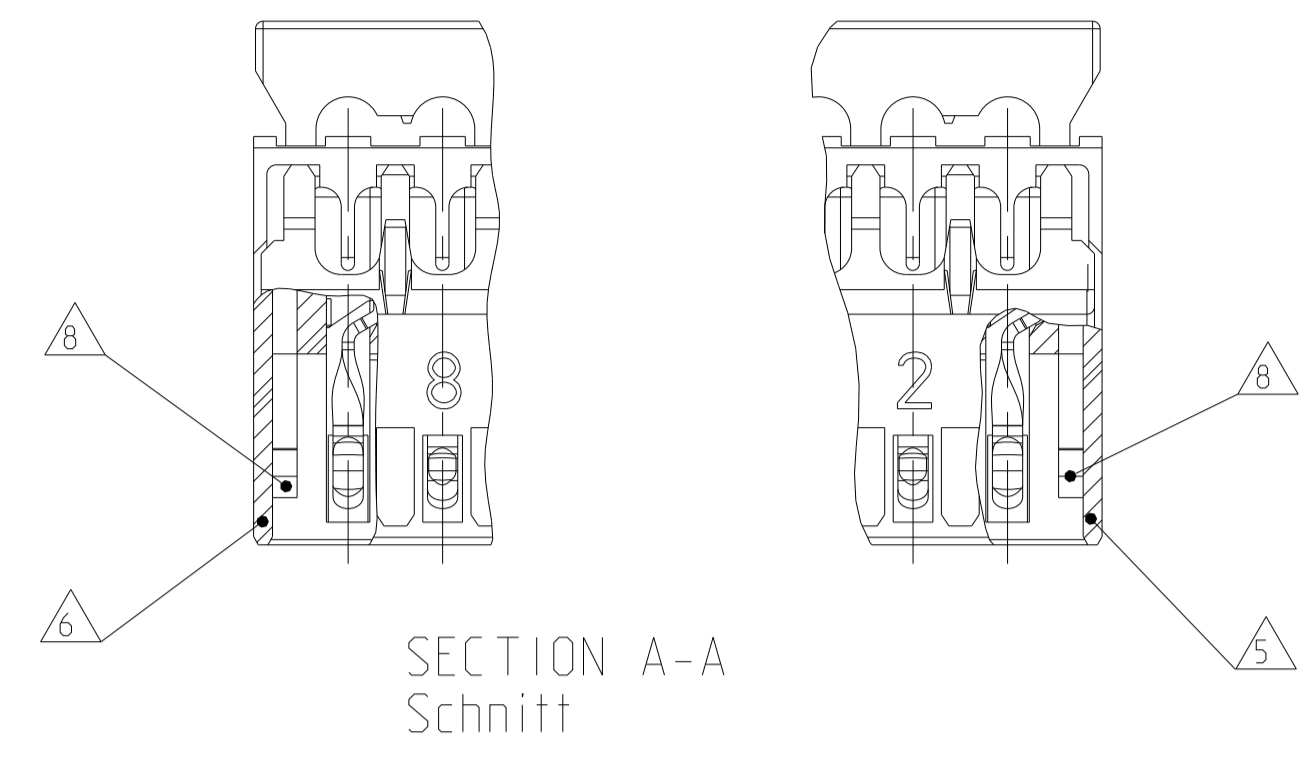


SECTION A-A  
Schnitt

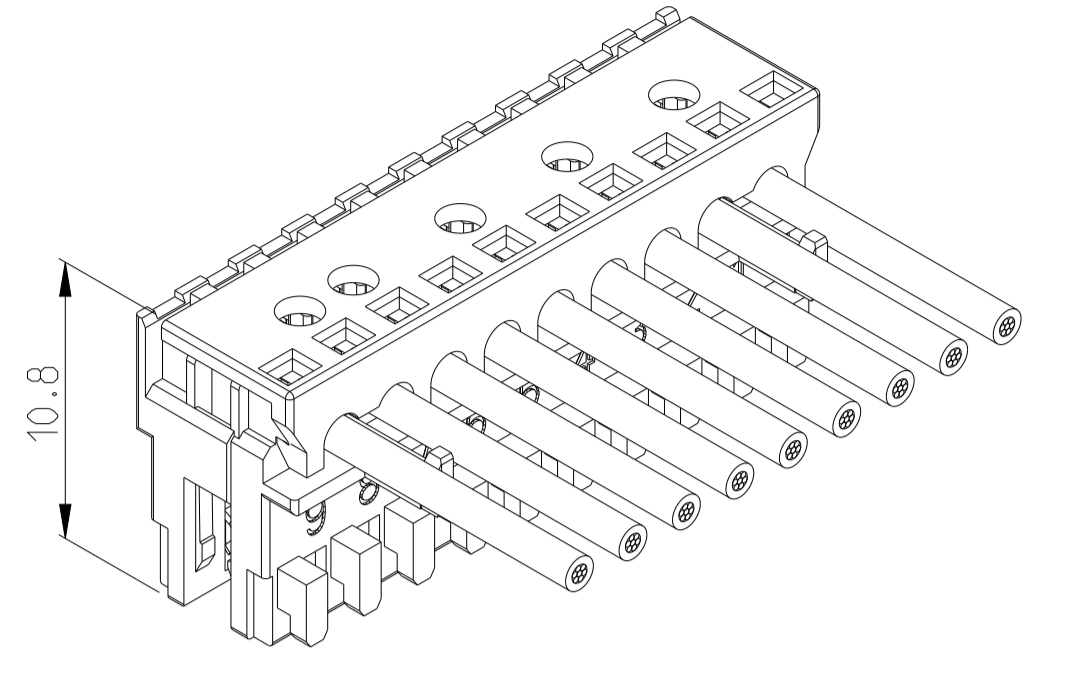


SECTION B-B  
Schnitt

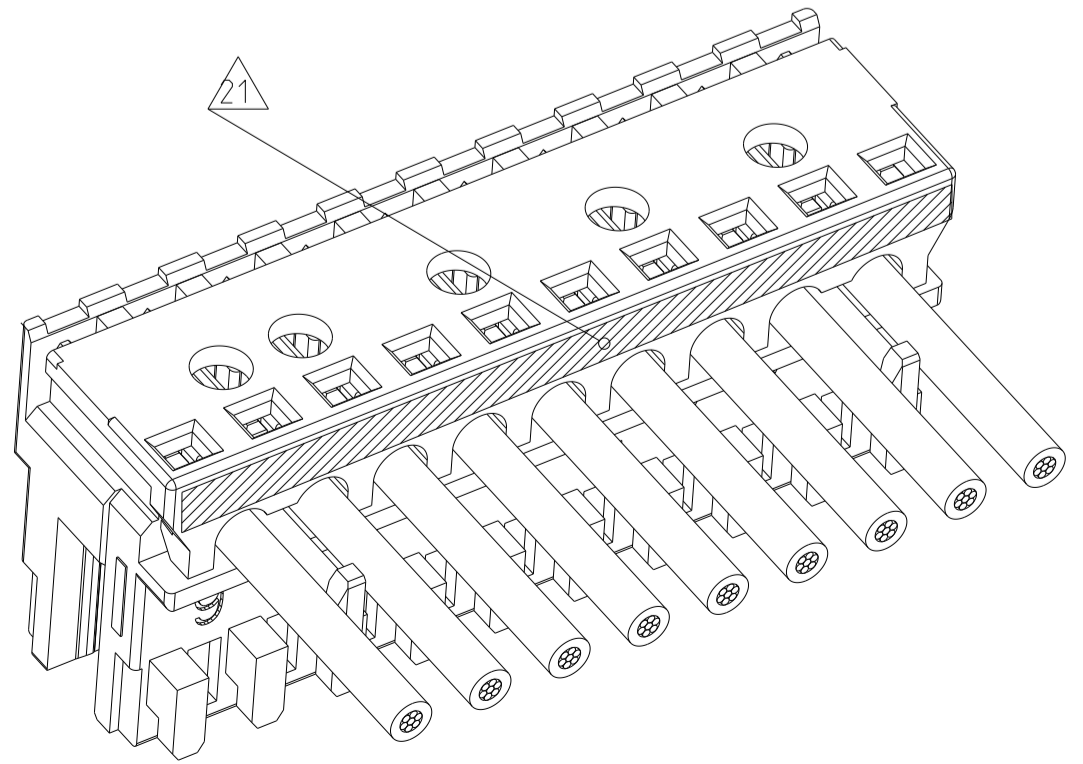
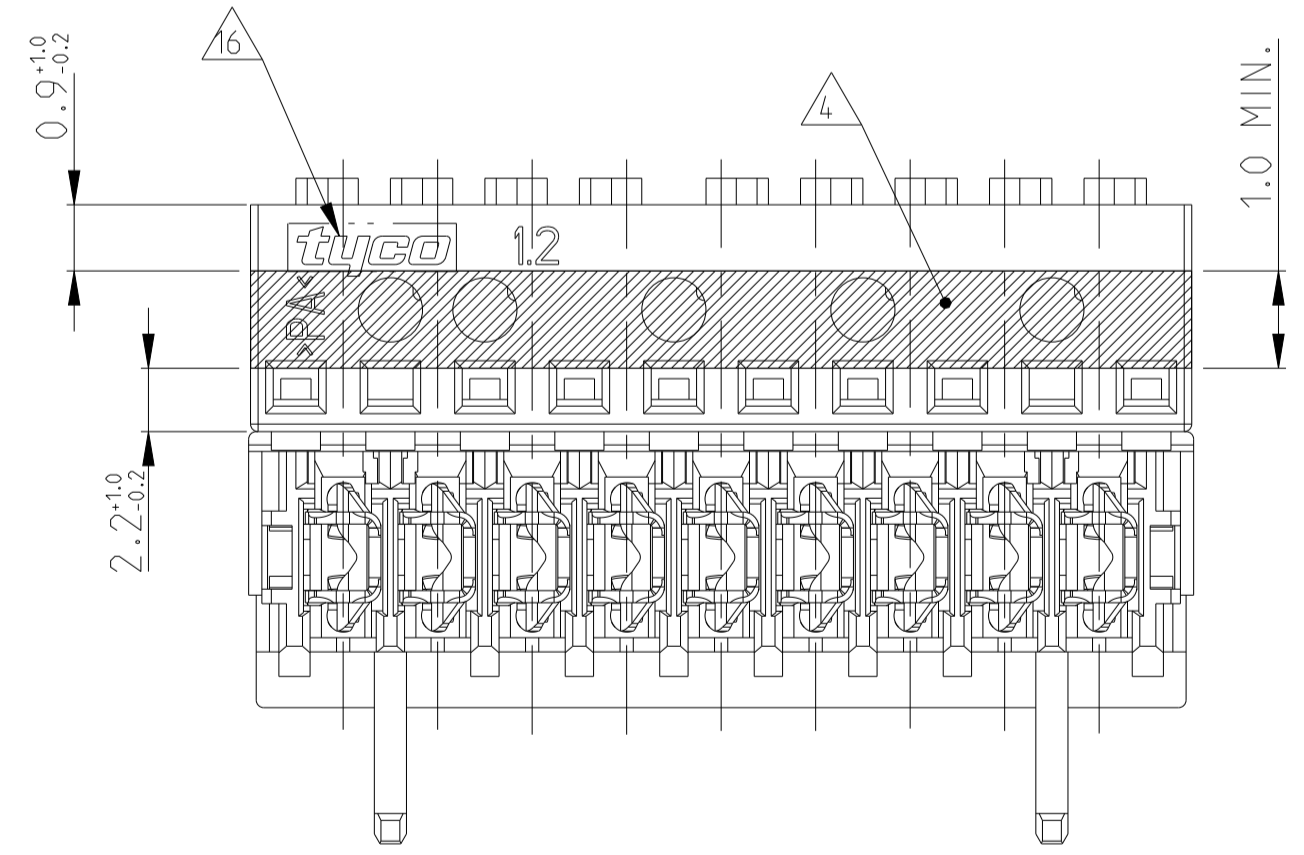
SIDE KEYING  
Seitenkodierung



SECTION A-A  
Schnitt



- △ P/N RELEASED WITH PENDING AGENCY APPROVAL
- △21 STRIPE IN YELLOW COLOR WHERE SHOWN PRESENT ON THE PARTS PRODUCED IN TE COLLEGNO ONLY
- △20 OBSOLETE
- △19 SPECIAL PCB LOCKING SEE SHEET 3
- △18 SPECIAL PCB LOCKING SEE SHEET 3
- △17 PRELIMINARY PART NOT YET RELEASED FOR PRODUCTION
- △16 TE LOGO
- △10-15 SEE SHEET 2  
Siehe Blatt 2
- △9 IEC 60695-2-11 / IEC 60335-1 GLOW WIRE TEST 750 °C WITHOUT FLAME  
IEC 60695-2-11 / IEC 60335-1 Gluehdrahttest 750 °C ohne Flamme
- △8 LOCKING HOOK BEFORE CAVITY NO. 1 AND AFTER LAST CAVITY  
Rasthaken vor Kammernummer Nr. 1 und nach letzter Kammer
- △7 ADDITIONAL KEYING RIB BETWEEN CAVITY NO.  
Zusätzliche Kodierrippe zwischen Kammer Nr.
- △6 SIDE KEYING, ON LAST CAVITY  
Seitenkodierung, bei letzter Kammer
- △5 SIDE KEYING, ON CAVITY NO. 1  
Seitenkodierung, bei Kammer Nr. 1
- △4 COLOR STRIP ON COVER OF HOUSING. NOT THE COLOR OF HOUSING
- 3 MATING PART: PCB ACCORDING TO SHEET 2 OF 2  
Passender Gegenstecker: Leiterplatten siehe Blatt 2 von 2
- 2 WIRE RANGE: 0.22-0.35mm<sup>2</sup>. SEE APPLICATION SPEC. 114-18467  
Drahtgrößenbereich: 0.22-0.35mm<sup>2</sup>, siehe Verarbeitungsspec. 114-18467
- △1 KEYING RIBS; CUTTING WITH TERMINATION MACHINE POSSIBLE  
Kodierrippe; Schneiden auf der Verarbeitungsmaschine möglich



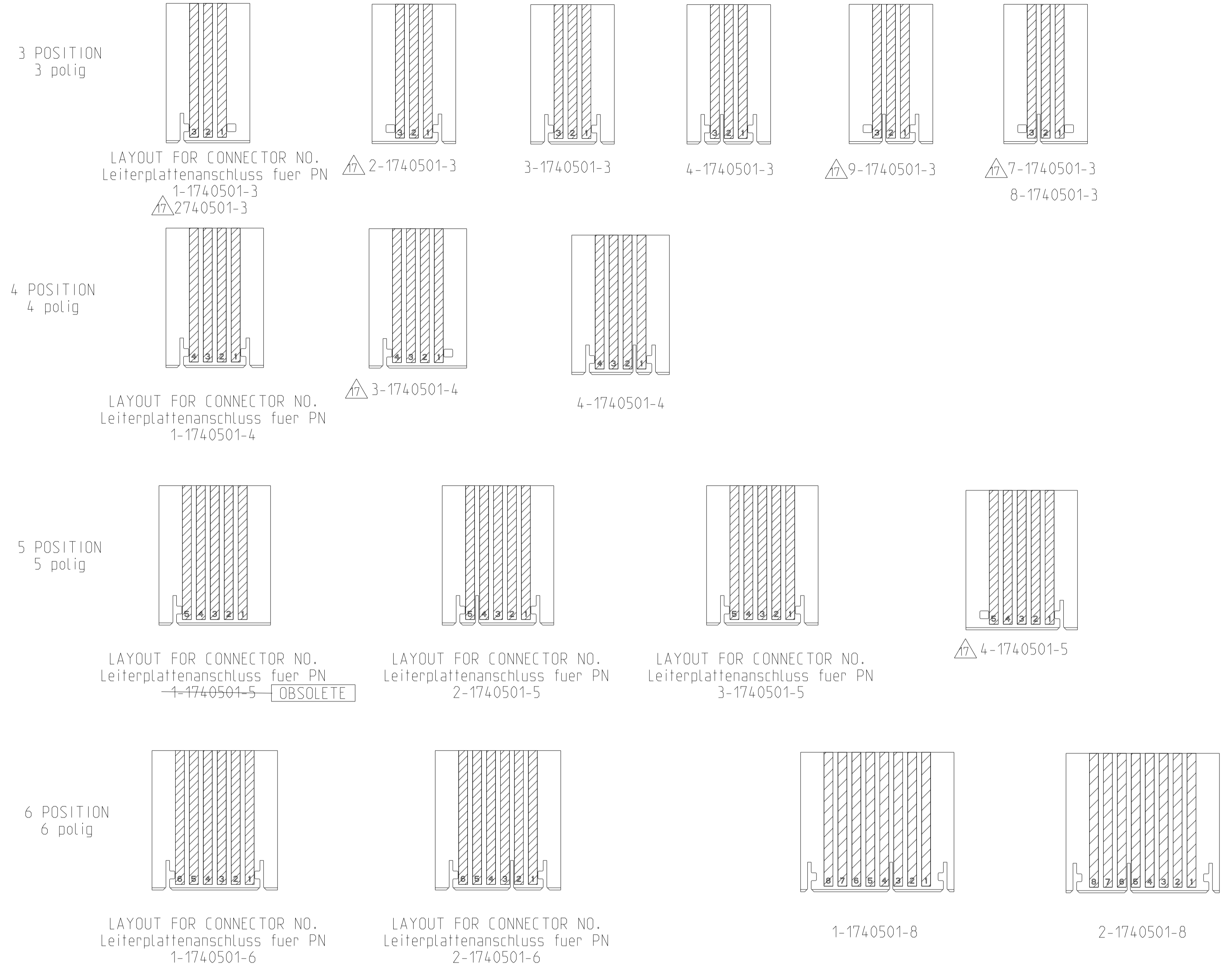
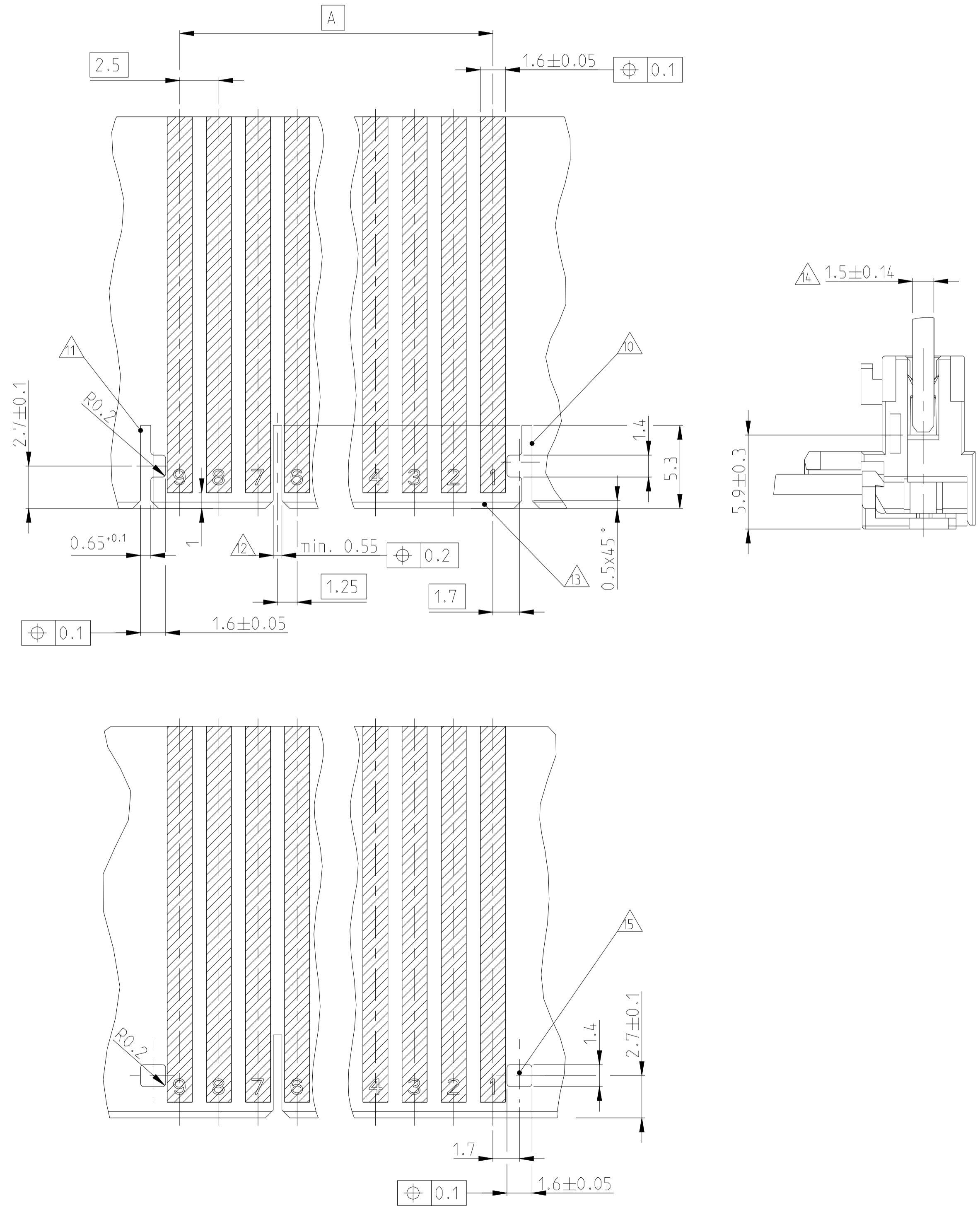
2	SEE TABLE siehe Tabelle	CONTACT/Kontakt	CuSn	TINNED/Verzinkt
1	SEE TABLE siehe Tabelle	HOUSING/Gehäuse	PA 6 GF UL94V-2	NATURE/natur
POS. Polzahl	PN Bestell-Nr.	DESCRIPTION Beschreibung	MATERIAL	COLOUR/FINISH Farbe/Oberfläche

DIMENSIONS:		TOLERANCES UNLESS OTHERWISE SPECIFIED:	
mm	0 PLC	±0.2	
	1 PLC	±0.2	
	2 PLC	±0.2	
	3 PLC	±0.2	
	4 PLC	±0.2	
	ANGLES	±0.1°	
	FINISH		

OWN	H. Alzmann	27.10.2005	TE Connectivity NAME AMP DUOPLUG 2.5 MKII FEMALE CONNECTOR 3-20 POSITION (WITH PCB LOCKING)	RESTRICTED TO			
CHK	B. Schnaubelt	27.10.2005					
APPV	T. Kleinler	27.10.2005					
PRODUCT SPEC	108-18785						
APPLICATION SPEC	114-18467		SIZE	CAGE CODE	DRAWING NO	RESTRICTED TO	
MATERIAL	SEE TABLE		A1	00779	1740501		
WEIGHT			CUSTOMER DRAWING	SCALE	5:1	SHEET 1 OF 3	REV B39

**PCB LAYOUT IN GENERAL**  
**Leiterplattenanschluss allgemein**

**3-20 POSITION**  
**3-20 polig**



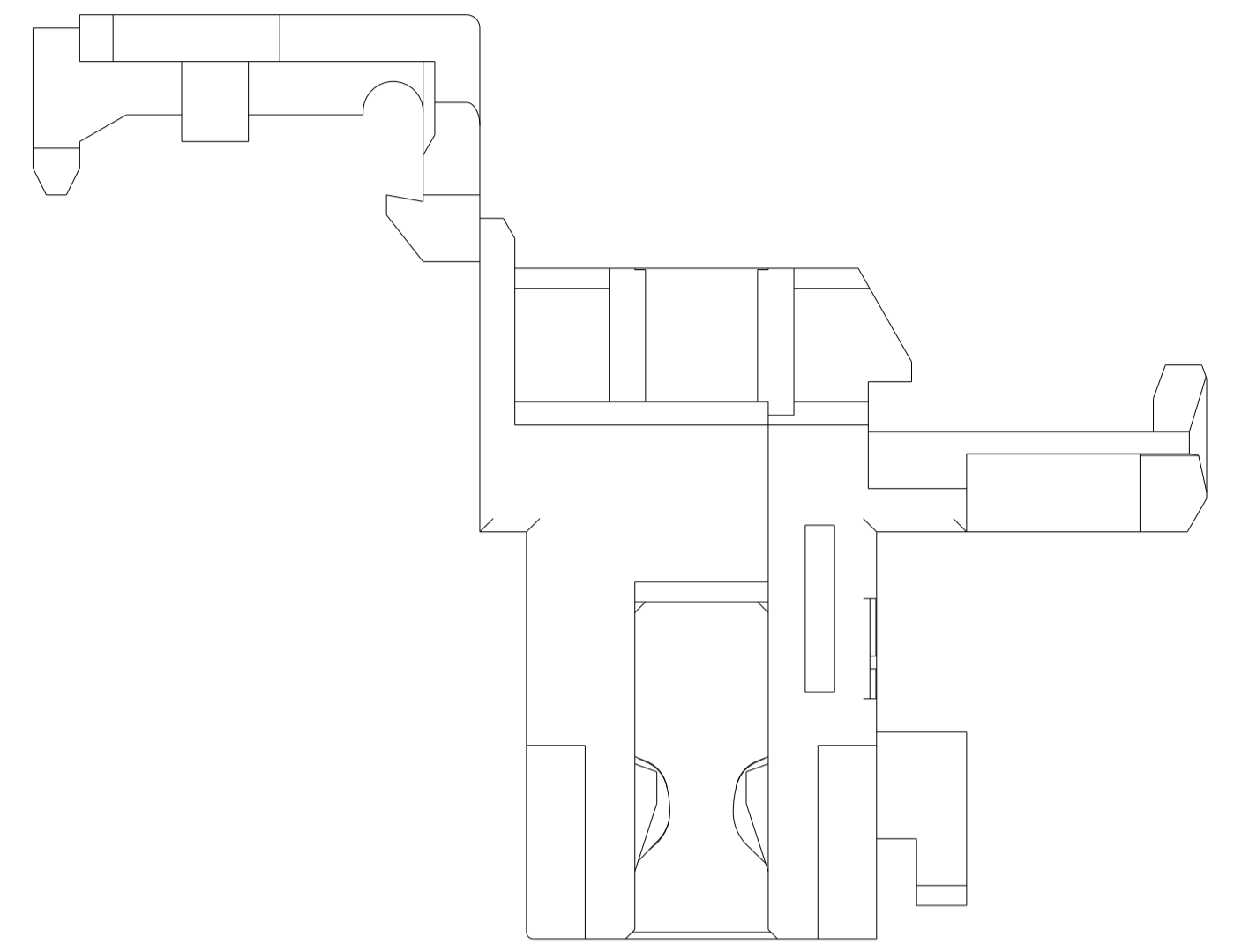
- △ WINDOW FOR LOCKING HOOK  
Fenster fuer Rasthaken
- △ INCLUSIVE COPPER CLADDING, SINGLE OR DOUBLE SIDED  
Inklusive Kupferkaschierung, ein oder doppelseitig
- △ PCB TO BE PREFERABLY CHAMFERED  
Leiterplatte vorzugsweise angefast
- △ SLOT FOR ADDITIONAL KEYING RIB BETWEEN CAVITY NO.  
Schlitz fuer zusaetzliche Kodierrippe zwischen Kammer Nr.
- △ SLOT FOR SIDE KEYING, ON LAST CAVITY  
Schlitz fuer Seitenkodierung, bei letzter Kammer
- △ SLOT FOR SIDE KEYING, ON CAVITY NO. 1  
Schlitz fuer Seitenkodierung, bei Kammer Nr. 1
- △ - △ SEE SHEET 1  
Siehe Blatt 1

LOC	DIST	REVISIONS			
P	LTH	DESCRIPTION	DATE	DWN	APVD
rev_sym_1	1667-0111	1			
rev_sym_2	rev_desc_2	2			
rev_sym_3	rev_desc_3	3			
rev_sym_4	rev_desc_4	4			

THIS DRAWING IS A CONTROLLED DOCUMENT.		OWN H. Alzmann	27.10.2005		NAME AMP DUOPLUG 2.5 MKII FEMALE CONNECTOR 3-20 POSITION (WITH PCB LOCKING)
DIMENSIONS:		CHK B. Schnaubelt	27.10.2005		
TOLERANCES UNLESS OTHERWISE SPECIFIED:		APVD T. Klenner	27.10.2005		
mm		PRODUCT SPEC			
0 PLC ±0.2		APPLICATION SPEC		SIZE	CAGE CODE
1 PLC ±0.2		116-18467		A1	00779
2 PLC ±0.2		WEIGHT		SCALE	
3 PLC ±0.2		CUSTOMER DRAWING		7:1	
4 PLC ±		REVISIONS		SHEET 2 OF 3	
ANGLES ±°		DRAWING NO.		REV B39	
FINISH ±μm		DRAWING NO.			
MATERIAL SEE TABLE		DRAWING NO.			

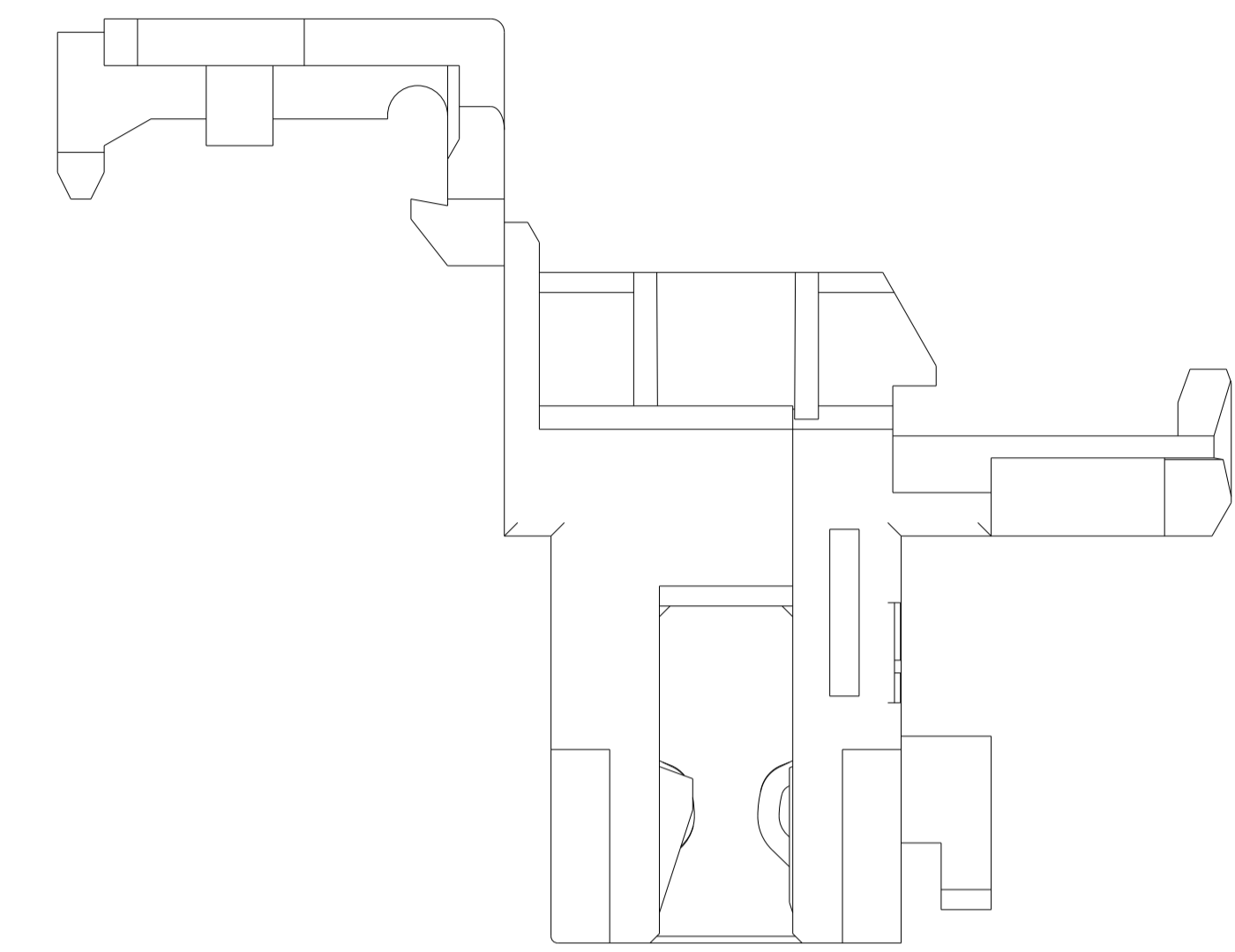
LOC	DIST	REVISIONS			
P	LTR	DESCRIPTION	DATE	DWN	APVD
rev_sym_1	1567	Defin. 1	rev_date_1	rev_dwn_1	rev_apvd_1
rev_sym_2	rev_desc_2		rev_date_2	rev_dwn_2	rev_apvd_2
rev_sym_3	rev_desc_3		rev_date_3	rev_dwn_3	rev_apvd_3
rev_sym_4	rev_desc_4		rev_date_4	rev_dwn_4	rev_apvd_4

18 SPECIAL PCB LOCKING VERSION



10:1

19 SPECIAL PCB LOCKING VERSION



10:1

PA GF. GWEPT 750 °C NO FLAME & UL94-V2, TIN PLATED VERSION

Color Code	POS. Polzahl	DIM "A"	DIM "B"	7	6	5	19	18	8	PN Bestell-Nr.
				KEYING	KEYING	KEYING	LOCKING HOOK	LOCKING HOOK	LOCKING HOOK	
	20	47.5	52.4							
	19	45	49.9							
	18	42.5	47.4							
	17	40	44.9							
	16	37.5	42.4							
	15	35	39.9							
	14	32.5	37.4							
	13	30	34.9							
	12	27.5	32.4							
	11	25	29.9							
	10	22.5	27.4	2/3					X	1-1740501-0
	9	20	24.9							
	8	17.5	22.4	5/6	X	X			X	2-1740501-8
				3/4	X	X			X	1-1740501-8
				2/3	X	X			X	1740501-8
	7	15	19.9	5/6	X	X			X	1740501-7
	6	12.5	17.4	2/3	X	X			X	2-1740501-6
	6	12.5	17.4	-	X	X			X	1-1740501-6
	5	10	14.9	-	-	X			X	4-1740501-5
	5	10	14.9	-	X	X			X	3-1740501-5
	5	10	14.9	4/5	X	X			X	2-1740501-5
	5	10	14.9	-	X	-			X	1-1740501-5
Green	4	7.5	12.4	3/4	-	-			X	5-1740501-4
	4	7.5	12.4	1/2	X	X			X	4-1740501-4
	4	7.5	12.4	-	X	-			X	3-1740501-4
	4	7.5	12.4	3/4	X	X			X	2-1740501-4
	4	7.5	12.4	-	X	X			X	1-1740501-4
	3	5.0	9.9	-	X	-			X	2740501-3
	3	5.0	9.9	2/3	-	-			X	8-1740501-3
	3	5.0	9.9	2/3	-	-	X		-	7-1740501-3
	3	5.0	9.9	2/3	-	X			X	9-1740501-3
	3	5.0	9.9	1/2	X	X			X	6-1740501-3
Green	3	5.0	9.9	1/2	-	-			X	5-1740501-3
	3	5.0	9.9	2/3	X	X			X	4-1740501-3
	3	5.0	9.9	-	X	X			X	3-1740501-3
	3	5.0	9.9	-	-	X			X	2-1740501-3
Red	3	5.0	9.9	-	X	-			X	1740501-3
Green	3	5.0	9.9	-	X	-			X	1-1740501-3
	2	2.5	7.4	-	-	X			X	1740501-2

PA GF. GWEPT 750 °C NO FLAME & UL94-V0, TIN PLATED VERSION

Color Code	POS. Polzahl	DIM "A"	DIM "B"	7	6	5	19	18	8	PN Bestell-Nr.
				KEYING	KEYING	KEYING	LOCKING HOOK	LOCKING HOOK	LOCKING HOOK	
	10	22.5	27.4	2/3	X	X			X	1-2421983-0
	8	17.5	17.5	5/6	X	X			X	2-2421983-8
	7	15	19.9	6/7	X	X			X	2421983-7
	6	12.5	17.4	5/6	-	-			X	2421983-6
	5	10	14.9	2/3	X	X			X	3-2421983-5

THIS DRAWING IS A CONTROLLED DOCUMENT. DWN: H. Alzmann 27.10.2005  
 CHK: B. Schnaubelt 27.10.2005  
 APVD: T. Klenner 27.10.2005

**STE** TE Connectivity

NAME: AMP DUOPLUG 2.5 MKII FEMALE CONNECTOR 3-20 POSITION (WITH PCB LOCKING)

SIZE: A1 CAGE CODE: 00779 DRAWING NO: 1740501 RESTRICTED TO: 39

MATERIAL: SEE TABLE DIMENSIONS: mm DIMENSIONS: 0 PLC ±0.2 1 PLC ±0.2 2 PLC ±0.2 3 PLC ±0.2 4 PLC ±0.2 ANGLES FINISH: - WEIGHT: 116-18467 CUSTOMER DRAWING SCALE: 5:1 SHEET: 3 OF 3