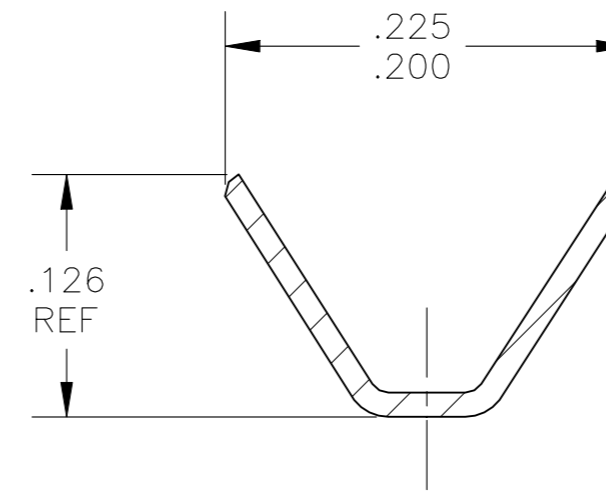
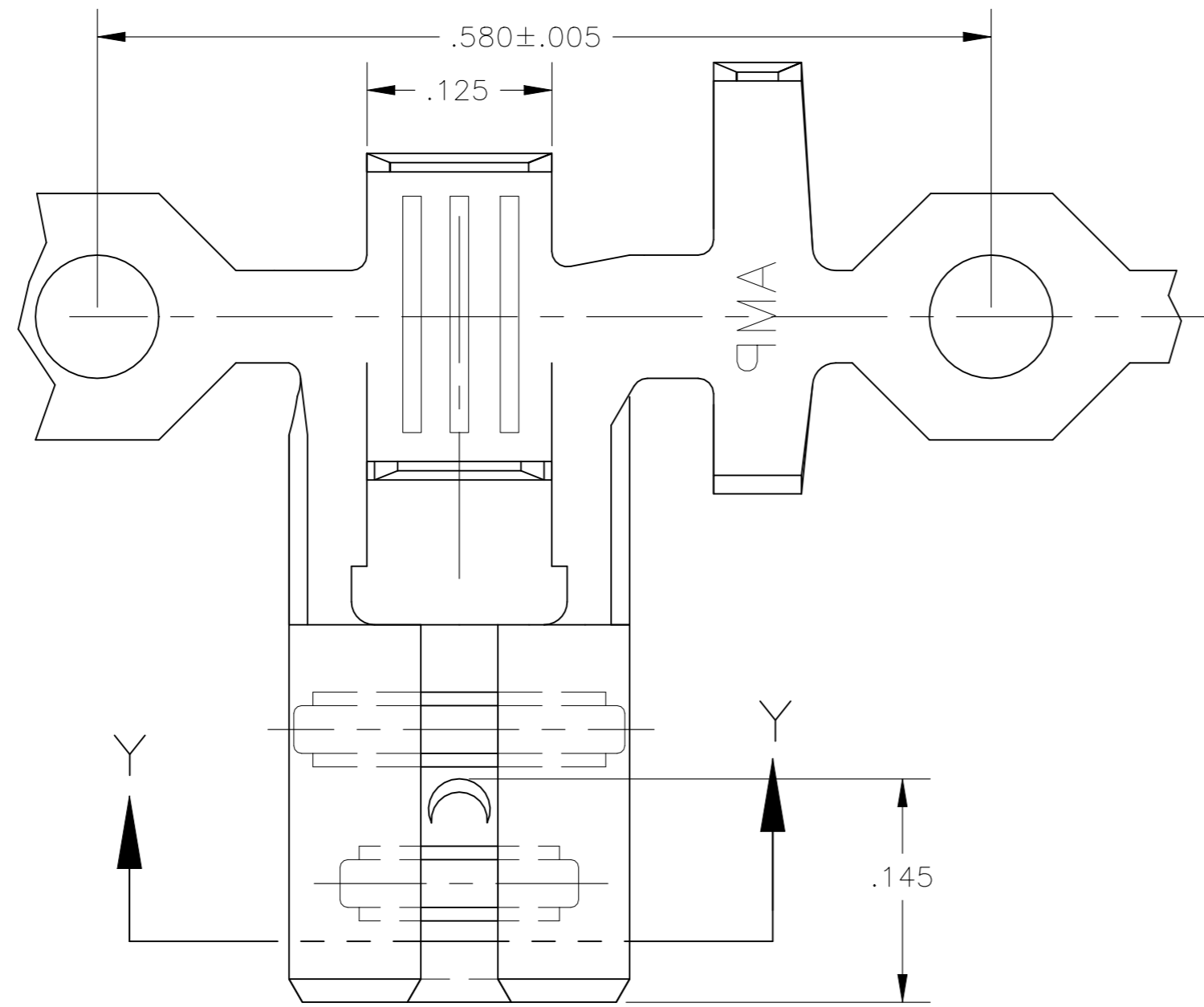


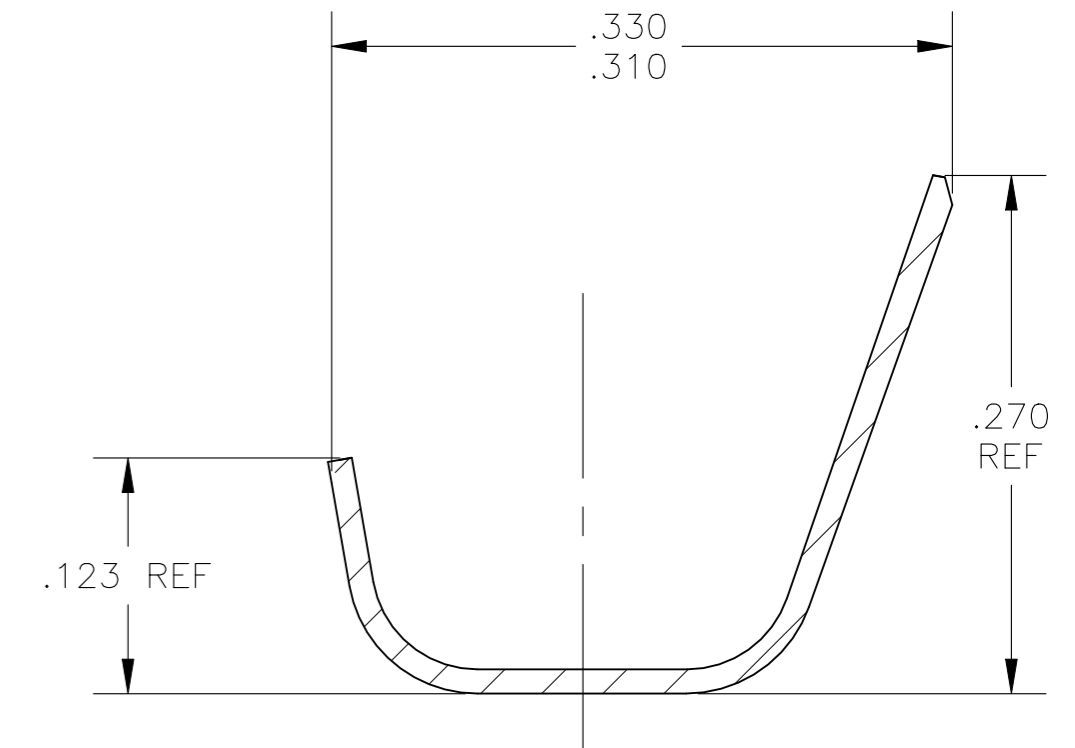
THIS DRAWING IS UNPUBLISHED. RELEASED FOR PUBLICATION
 © COPYRIGHT - By - ALL RIGHTS RESERVED.

REVISIONS					
P	LTR	DESCRIPTION	DATE	DWN	APVD
H2		REVISED PER ECR-22-137168	13MAY2022	SS	EW

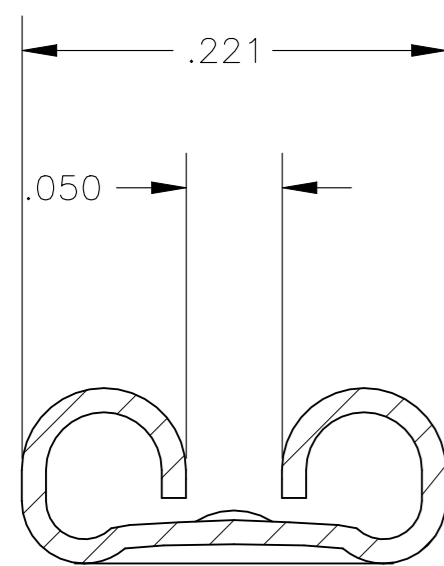
- CONTINUOUS STRIP ON REELS
- WIRE SIZE IS 18-14 OR TWO 18'S AWG
- INSULATION RANGE IS .110-.150 DIA. OR TWO AT .110 MAX DIA.
- MATING TAB THK IS .020±.001



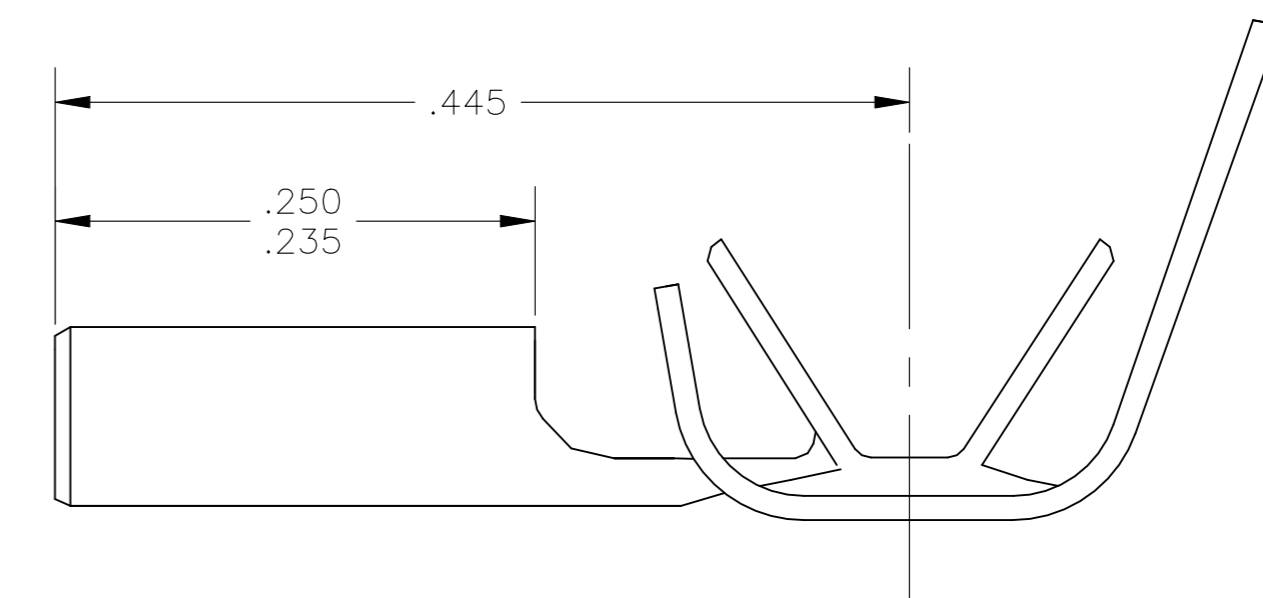
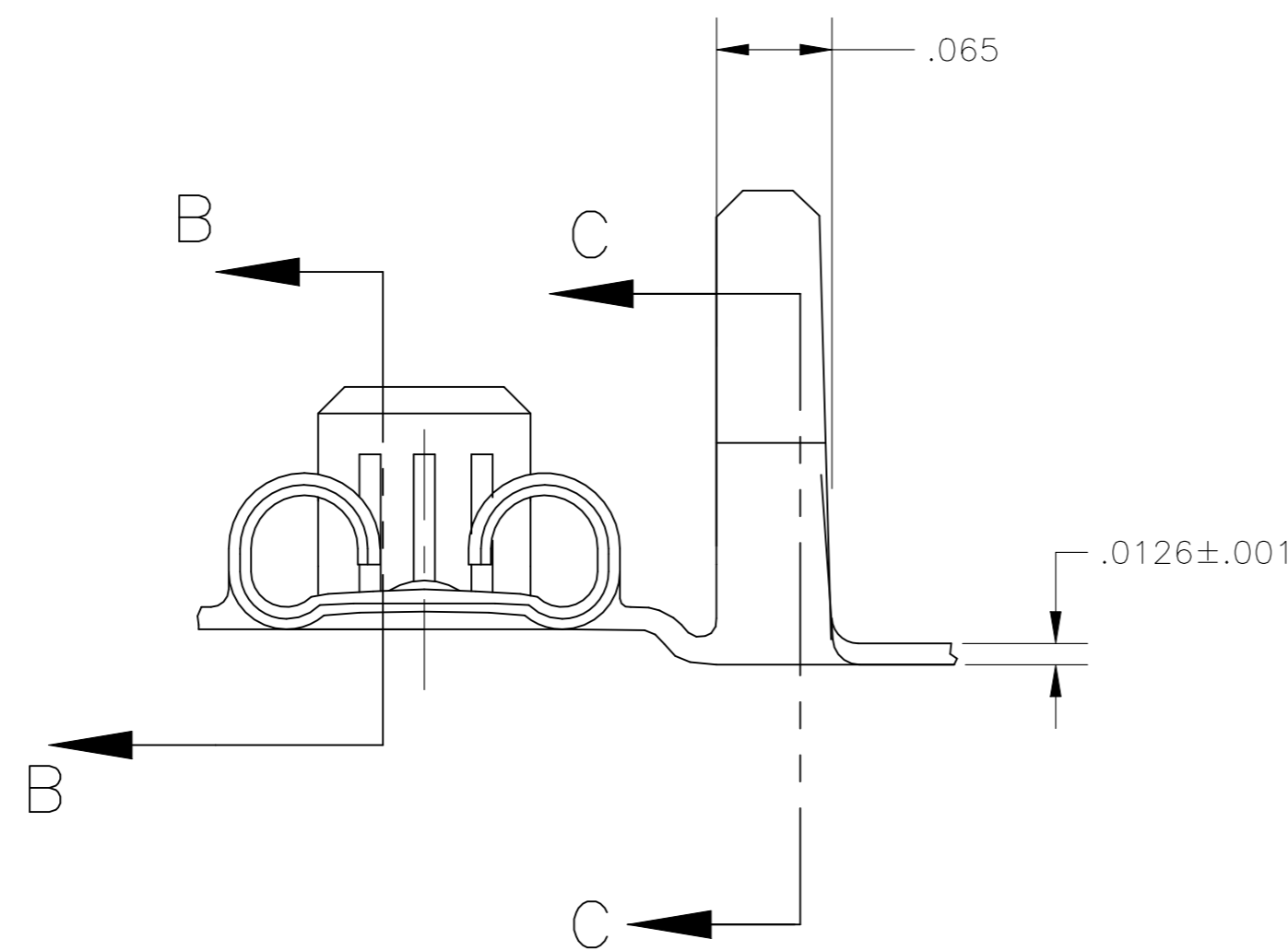
SECTION B-B



SECTION C-C



SECTION Y-Y



	TIN	1742088-2
OBSELETE	PLAIN	-1742088-1-
	FINISH	PART NO

THIS DRAWING IS A CONTROLLED DOCUMENT.		DWN	JR RUTH	04mar04	 TE Connectivity
DIMENSIONS:		CHK	P DESANTIS	04MAR04	
INCHES		APVD	P DESANTIS	04MAR04	
		PRODUCT SPEC			
TOLERANCES UNLESS OTHERWISE SPECIFIED:		APPLICATION SPEC			
0 PLC ± -		WEIGHT			
1 PLC ± -		SCALE	A2 00779 C=1742088		
2 PLC ± -		SHEET	1 OF 1		
3 PLC ± .010		REV	H2		
4 PLC ± -					
ANGLES ± 2°					
MATERIAL	BRASS				
FINISH	-				