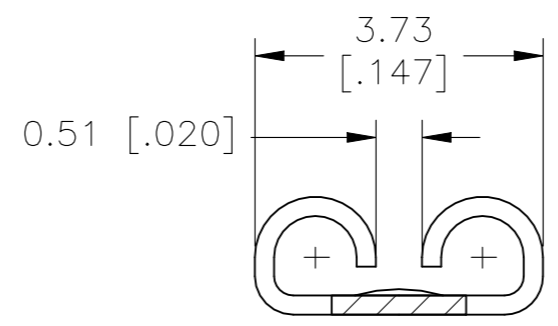
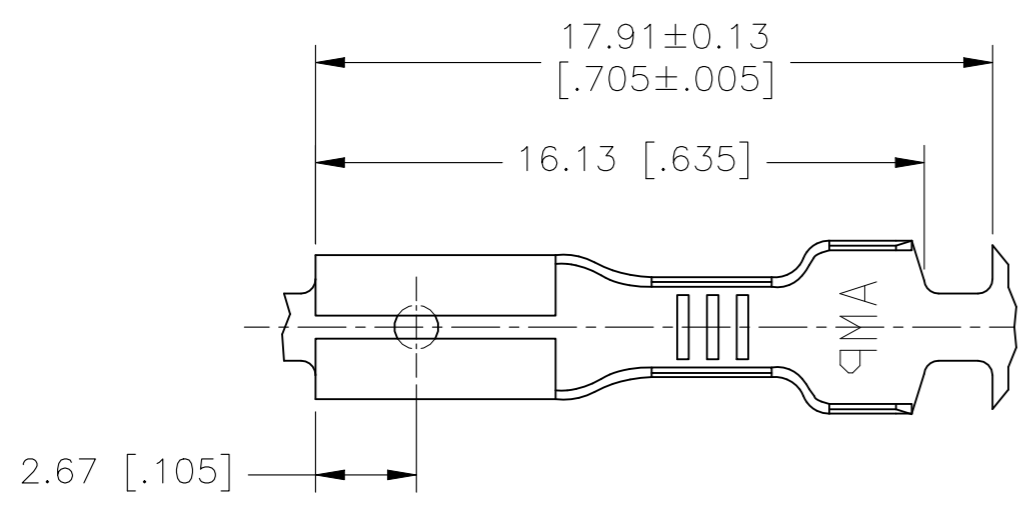
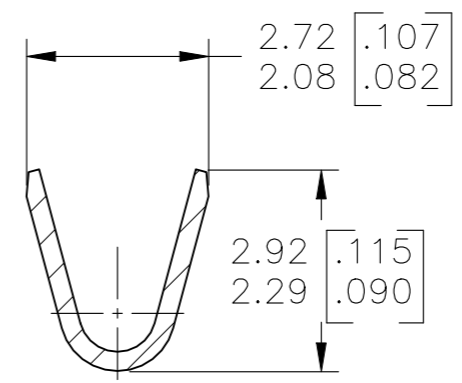
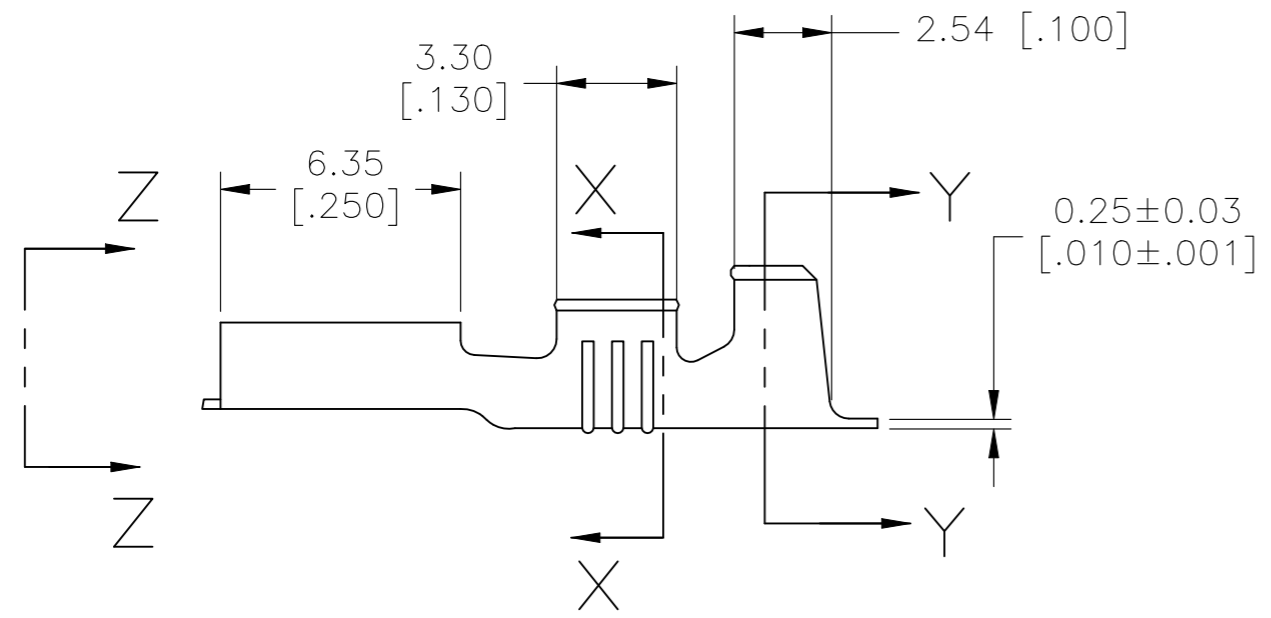


REVISIONS					
P	LTR	DESCRIPTION	DATE	DWN	APVD
	C	REVISED PER ECR-23-171359	16MAY2023	DB	DH

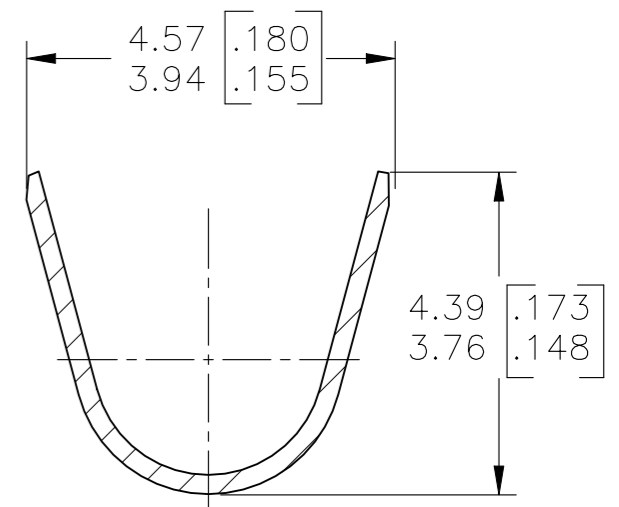


- 1 CONTINUOUS STRIP ON REELS
- 2 POST-PLATE WHISKER-MITIGATED LEAD-FREE, MATTE TIN OVER NICKEL.
- 3 POST-PLATE LEAD-FREE, MATTE TIN

VIEW Z-Z
SCALE 10:1



SECTION X-X
SCALE 10:1



SECTION Y-Y
SCALE 10:1

OBSOLETE	INSULATION RANGE	WIRE SIZE	MATING TAB THK	FINISH	PART NO.
	Ø2.29-3.30 Ø[.090-.130]	#22-#18 AWG	0.51±0.03 [.020±.001]	3 2 PRE-TIN	1742785-3 1742785-2 1742785-1

THIS DRAWING IS A CONTROLLED DOCUMENT.		DWN JR RUTH 25FEB09	TE Connectivity		
DIMENSIONS: mm [INCHES]		CHK MS FEHER 25FEB09			
TOLERANCES UNLESS OTHERWISE SPECIFIED:		APVD P DESANTIS 25FEB09	NAME RECEPTACLE, FASTON, 2.79 [.110] SERIES		
0 PLC ± - 1 PLC ± - 2 PLC ± 0.38 [.015] 3 PLC ± - 4 PLC ± - ANGLES ± -		PRODUCT SPEC -	SIZE	CAGE CODE	DRAWING NO
MATERIAL BRASS		FINISH -	WEIGHT 0.000000	A300779	C-1742785
CUSTOMER DRAWING			SCALE 5:1	SHEET 1 OF 1	REV C