

THIS DRAWING IS UNPUBLISHED.

RELEASED FOR PUBLICATION

© COPYRIGHT - By -

ALL RIGHTS RESERVED.

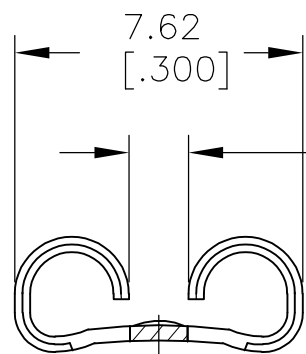
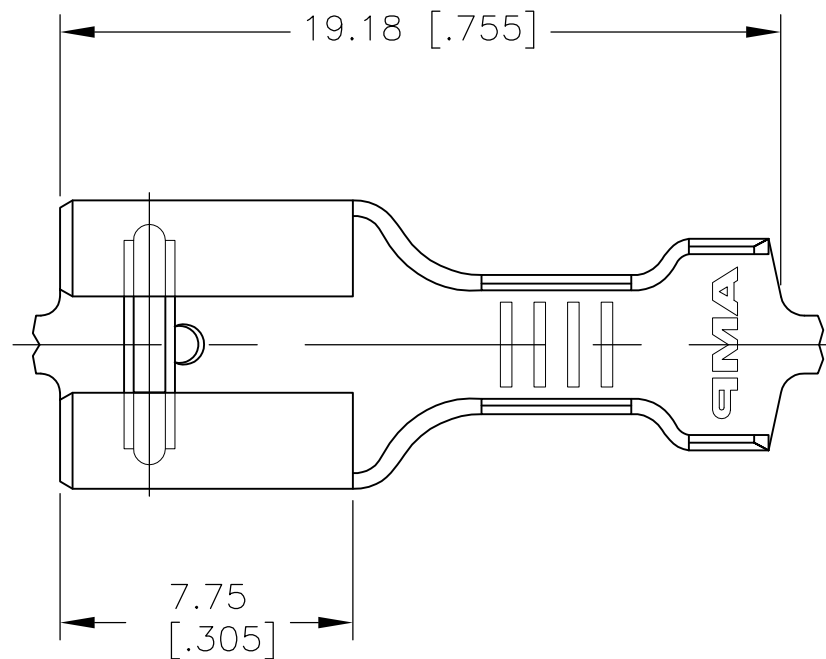
LOC  
AF

DIST  
50

REVISIONS

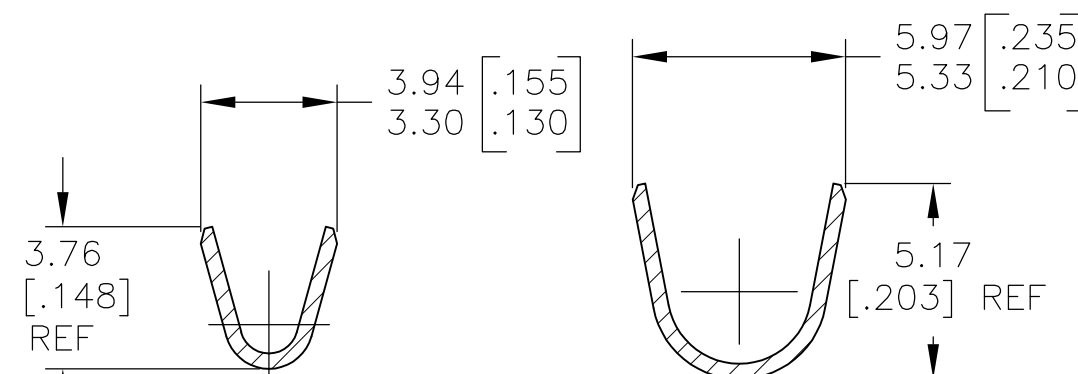
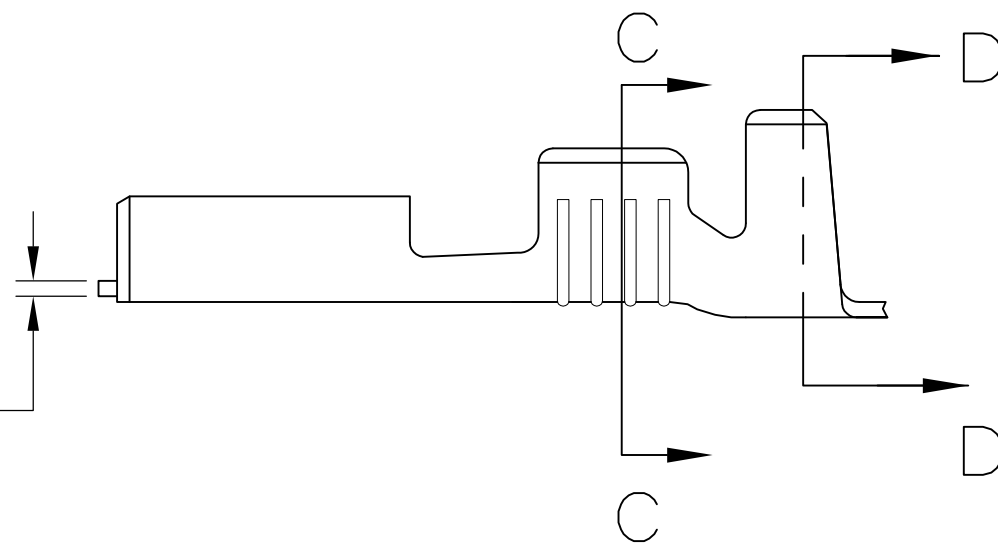
P	LTR	DESCRIPTION	DATE	DWN	APVD
	A	RELEASED PER ECO 13-017563	08NOV13	JR	PD

- 1 CONTINUOUS STRIP ON REELS
- 2 WIRE SIZE IS #18-#14 AWG
- 3 INSULATION RANGE IS 3.05-4.32 [.120-.170] DIA
- 4 MATING TAB THK IS 0.81±0.025 [.032±.001]



1.57  
[.062]


0.41±0.025  
[.016±.001]



SECTION C-C

SECTION D-D

TIN PLATE	1742971-4
NONE	1742971-3
FINISH	PART NO.

THIS DRAWING IS A CONTROLLED DOCUMENT.		DWN JR RUTH 25MAR2013	 TE Connectivity		
DIMENSIONS: MM [INCHES]		CHK PETE DESANTIS 25MAR13			
TOLERANCES UNLESS OTHERWISE SPECIFIED: 0 PLC ± - 1 PLC ± - 2 PLC ± 0.25 [.010] 3 PLC ± - 4 PLC ± - ANGLES ± -		APVD PETE DESANTIS 25MAR13	RECEPTACLE, FASTON, LOW-INSERTION, .250 SERIES		
MATERIAL BRASS		FINISH SEE TABLE	PRODUCT SPEC -	APPLICATION SPEC -	RESTRICTED TO -
		WEIGHT -	SIZE A3	CAGE CODE 00779	DRAWING NO C-1742971
CUSTOMER DRAWING			SCALE 5:1	SHEET 1 OF 1	REV A