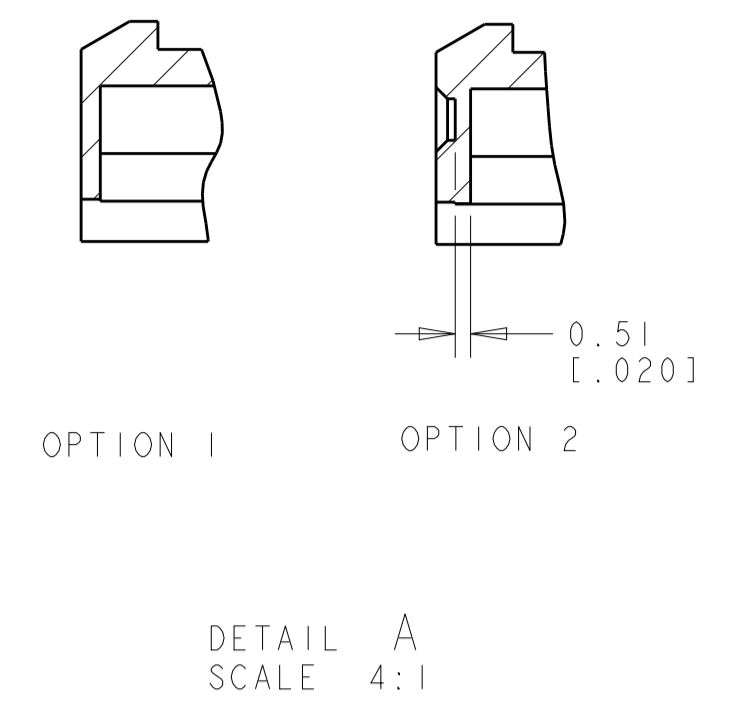
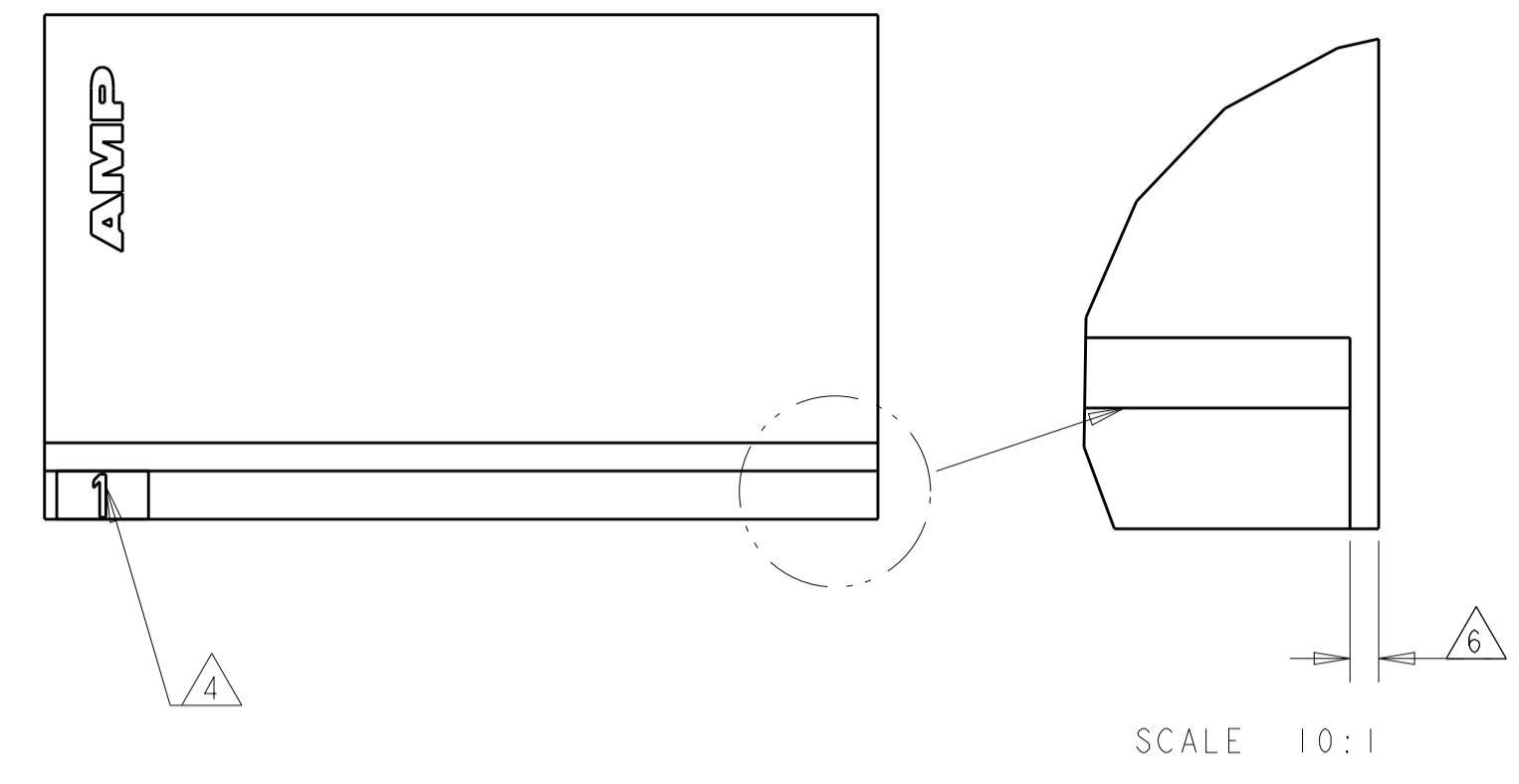
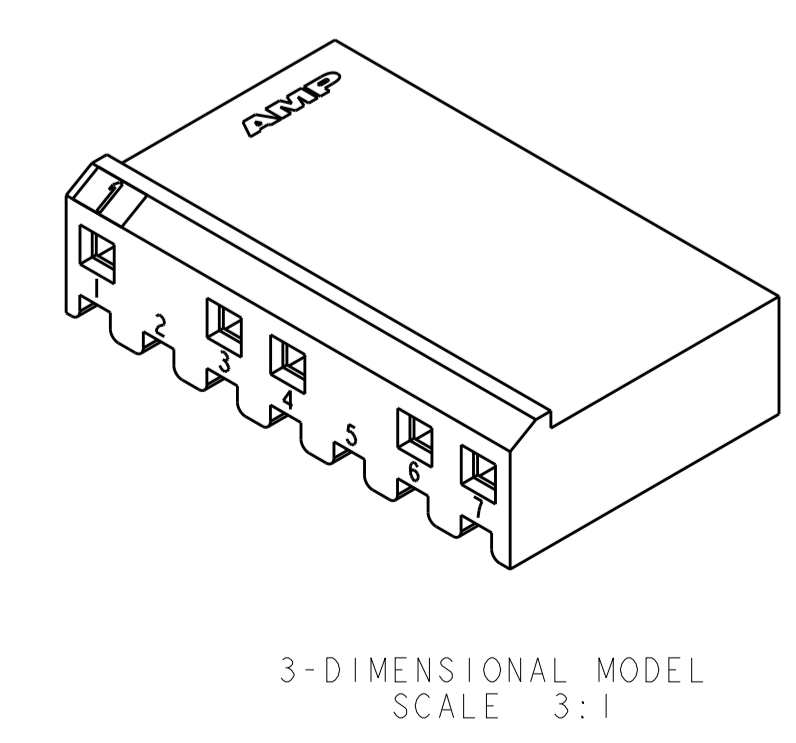
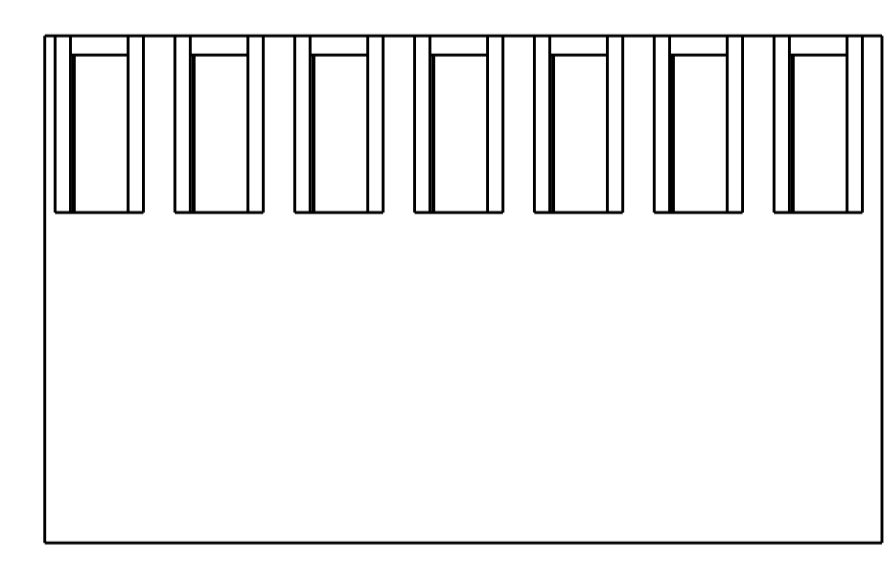
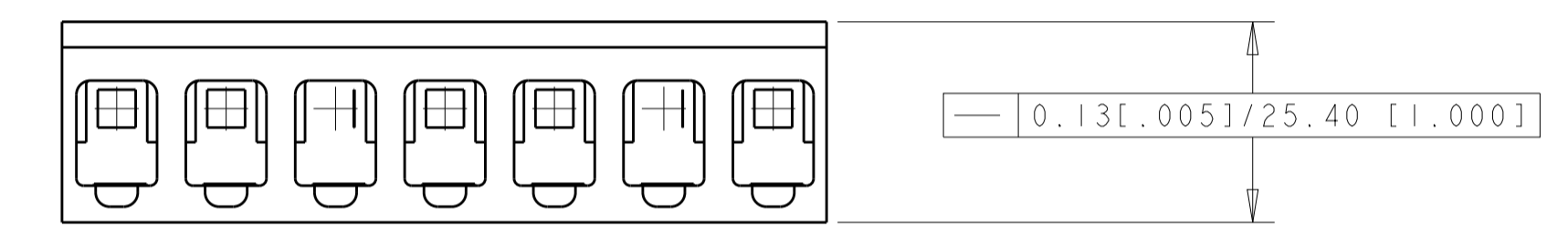
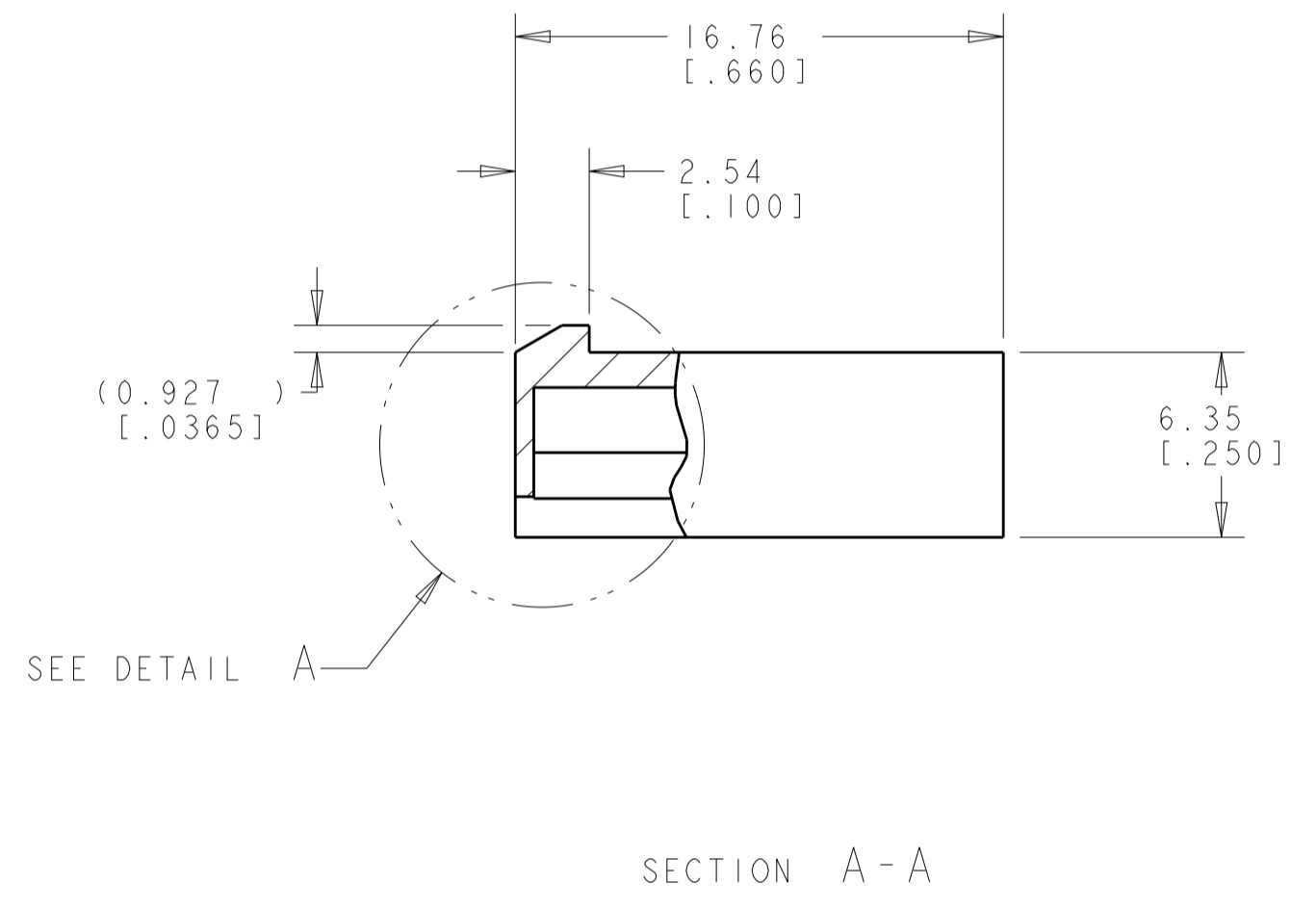
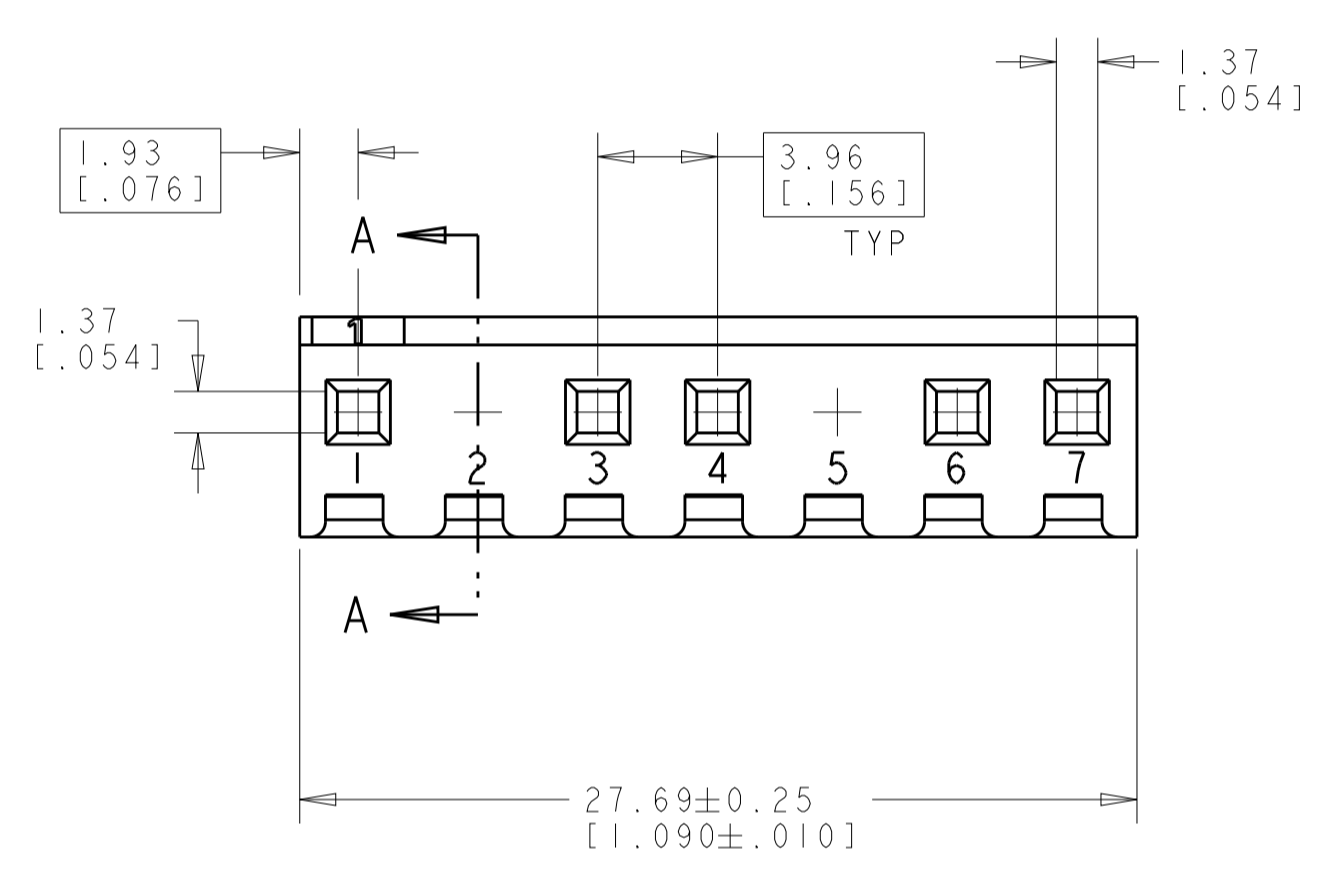


LOC	DIST	REVISIONS					
		P	LTN	DESCRIPTION	DATE	DWN	APVD
CM	00	B		REVISED PER ECR-13-008203	20JUN2013	KH	JR



1. UNIT ACCEPTS 1.14 [0.045] SQUARE OR ROUND POST.
2. UNIT ACCEPTS STANDARD SL-156 CONTACTS.
3. UNIT ACCEPTS KEYING PLUG 640254-1 AND KEYING PIN 640255-1.
4. CIRCUIT I.D. NUMBER(S) TO BE LOCATED SEQUENTIALLY AS SHOWN OR ONLY NO. 1 CIRCUIT PLACED ON LOCKING RAMP.
5. DIMENSION IN BRACKETS ARE IN INCHES.
6. OPTIONAL CONSTRUCTION (BOTH CORNERS) UP TO 0.38 [0.015].
7. DETAIL SHOWS A CIRCUITS 2 AND 5 MOLDED CLOSED. EITHER OPTION 1 OR OPTION 2 MAY BE USED.



7	1744008-7
NO OF CIRCUITS	PART NUMBER

THIS DRAWING IS A CONTROLLED DOCUMENT.		DWN R. WHITAKER 15-JAN-04	NAME HOUSING, WITH LOCKING RAMP, CIRCUIT 2 AND 5 BLOCKED, SL-156
DIMENSIONS: mm [INCHES]		CHK J. ELLIS 15-JAN-04	
TOLERANCES UNLESS OTHERWISE SPECIFIED:		APVD J. ELLIS 15-JAN-04	PRODUCT SPEC
0 PLC ±			APPLICATION SPEC
1 PLC ±			FINISH
2 PLC ±0.13 [0.005]			RESTRICTED TO
3 PLC ±			SIZE CAGE CODE DRAWING NO
4 PLC ±			WEIGHT
ANGLES 40° 30'			A100779C=1744008
MATERIAL NYLON, UL 94V-0 NATURAL			CUSTOMER DRAWING
			SCALE 1:1 SHEET 1 OF 1 REV B