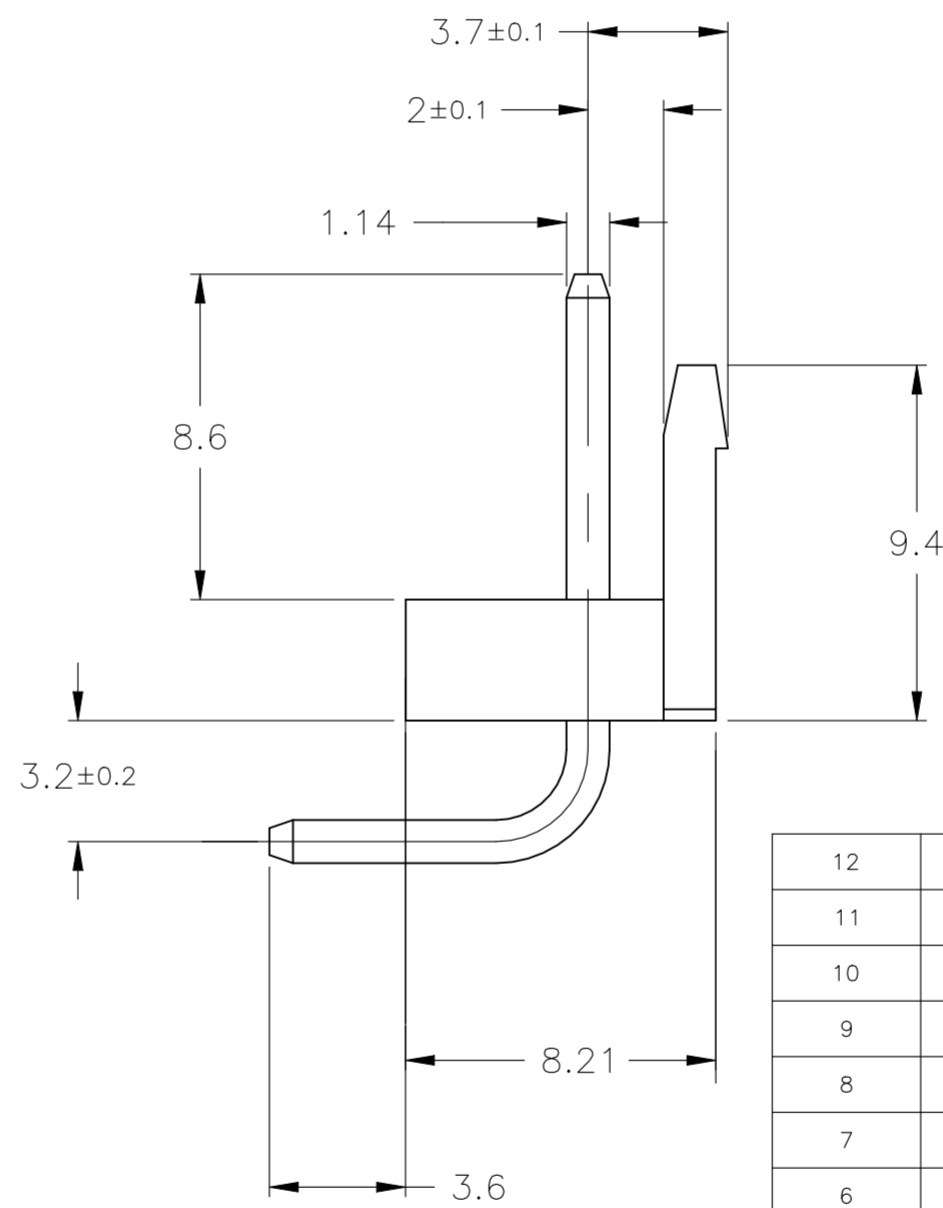
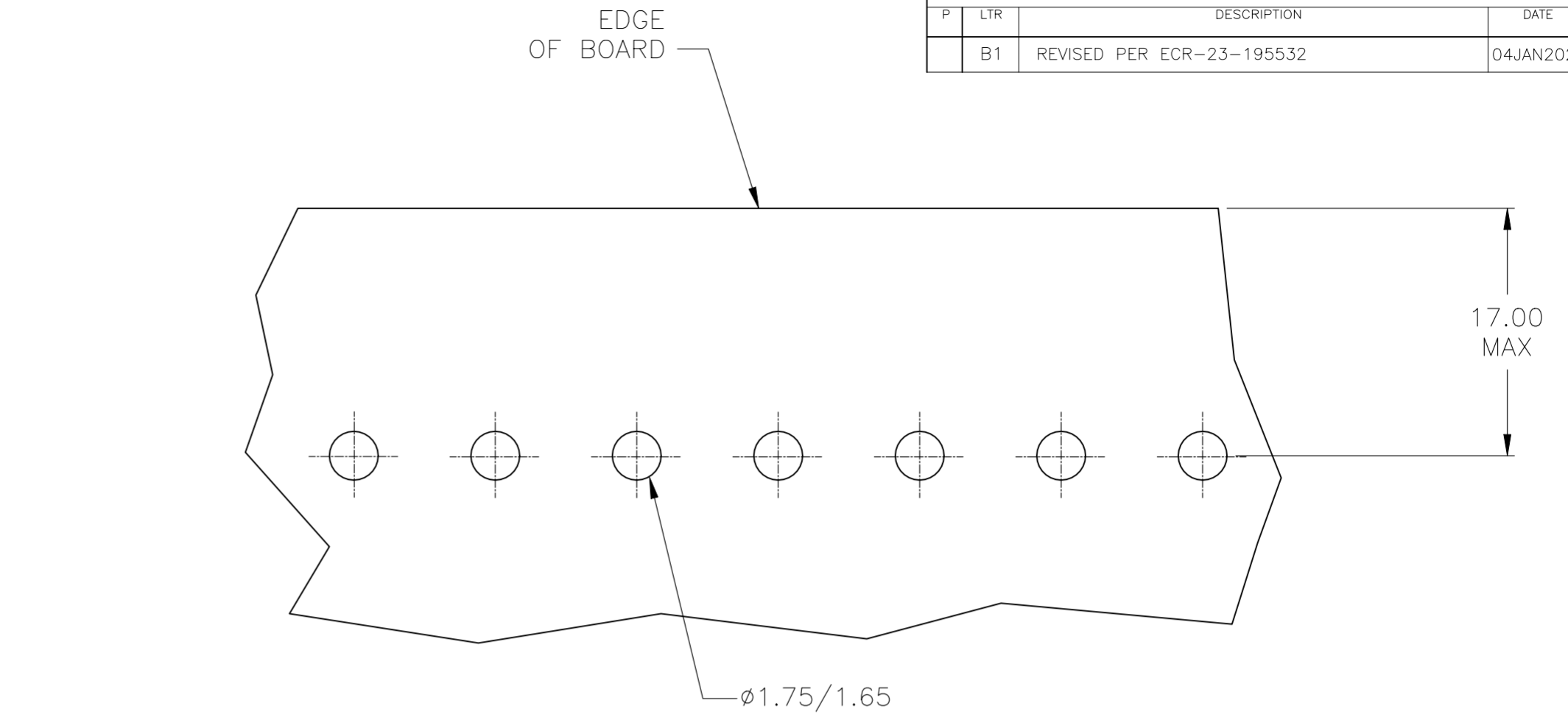
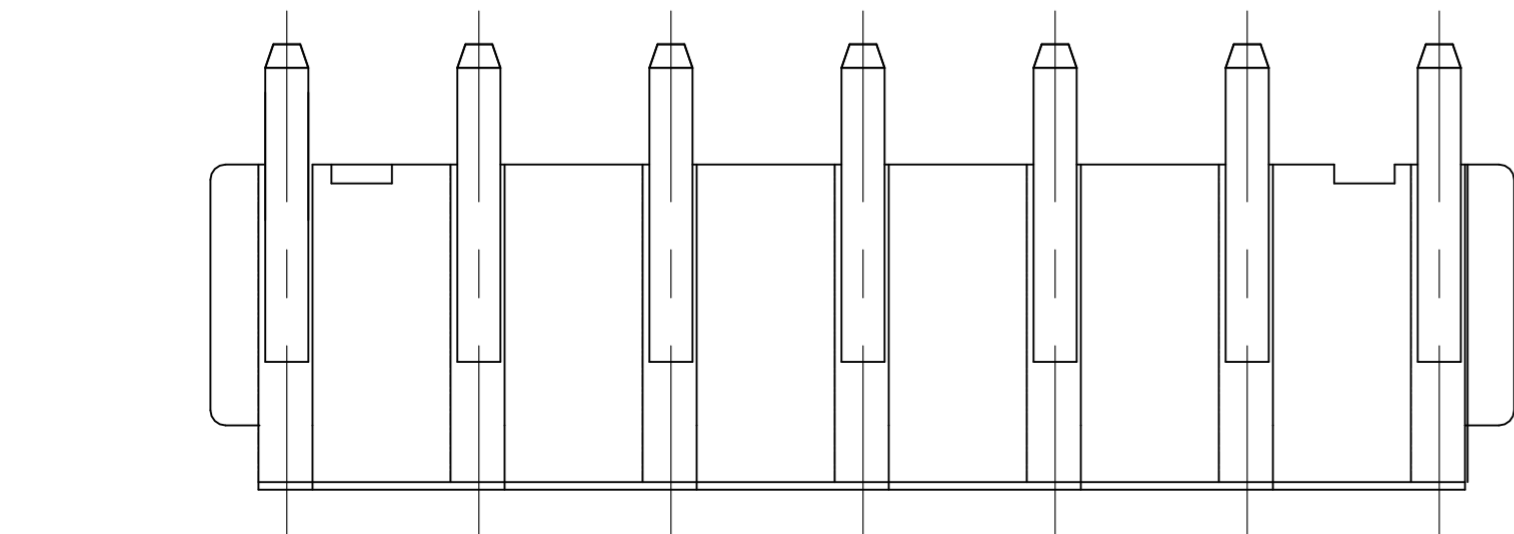
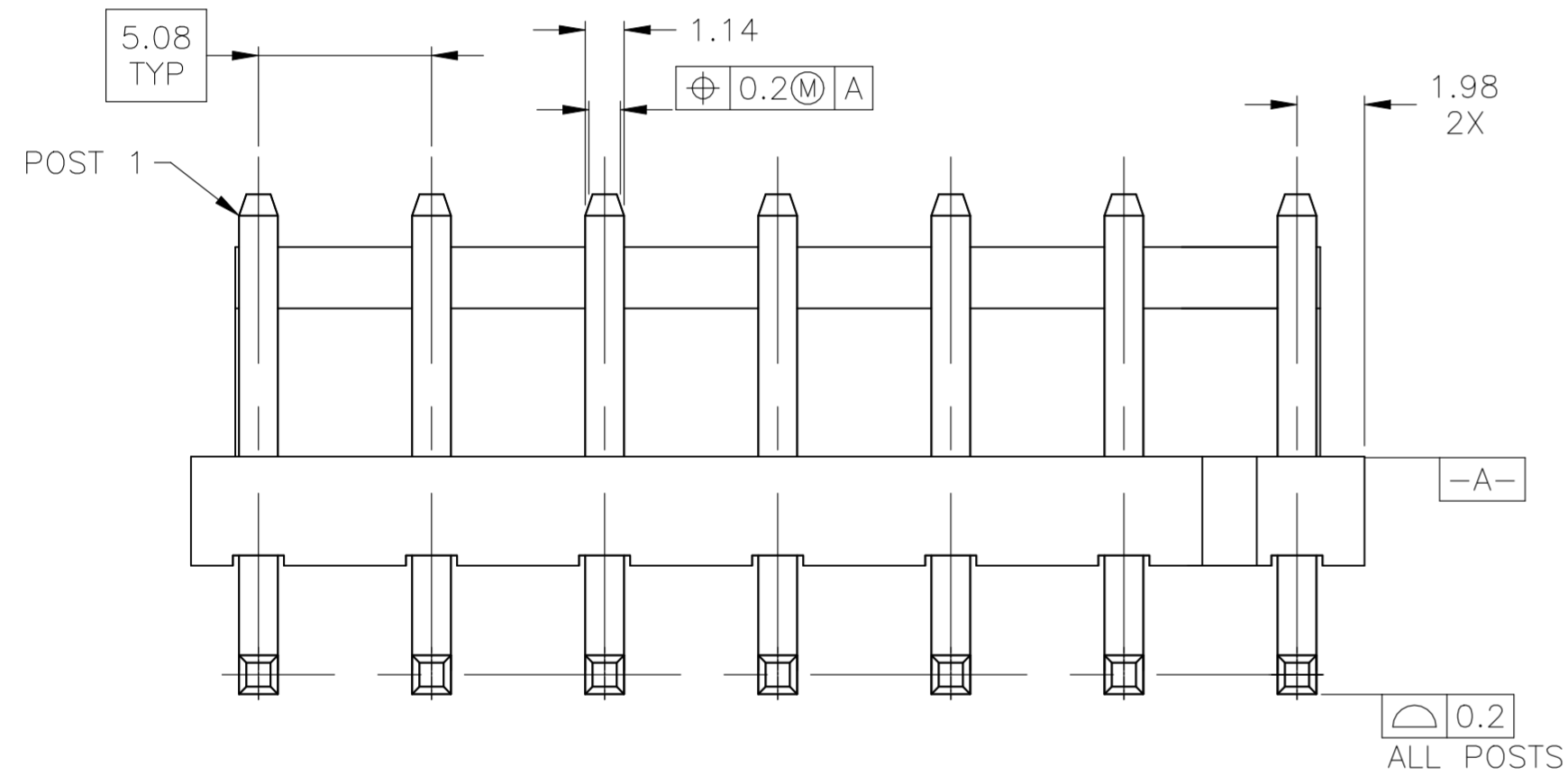
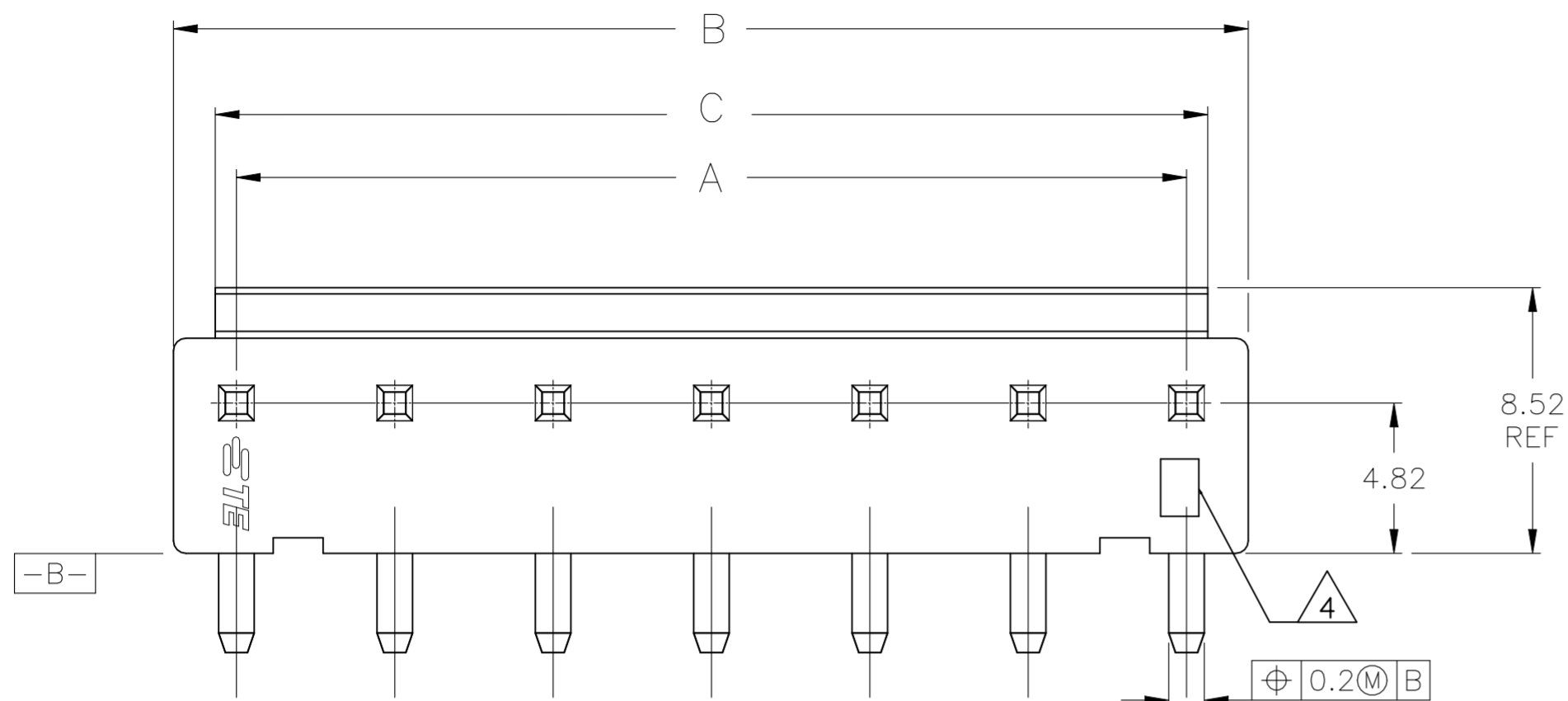


REVISIONS					
P	LTR	DESCRIPTION	DATE	DWN	APVD
B1		REVISED PER ECR-23-195532	04JAN2024	N.H	L.C



- HOUSING MATERIAL: NYLON 66, UL 94V-0, NATURAL.
- CONTACT MATERIAL: COPPER ALLOY
- CONTACT PLATING: 0.002MM MIN TIN OVER 0.00076MM MIN NICKEL.
- MANUFACTURING LOCATION MARKS TO APPEAR APPROXIMATELY AS SHOWN.

12	57.22	59.84	55.88	1-1744048-2
11	52.14	54.76	50.8	1-1744048-1
10	47.06	49.68	45.72	1-1744048-0
9	41.98	44.6	40.64	1744048-9
8	36.9	39.52	35.56	1744048-8
7	31.82	34.44	30.48	1744048-7
6	26.74	29.36	25.4	1744048-6
5	21.66	24.28	20.32	1744048-5
4	16.58	19.2	15.24	1744048-4
3	11.5	14.12	10.16	1744048-3
2	6.42	9.04	5.08	1744048-2
NO. OF POSITIONS	DIM C $\pm 0.2$	DIM B $\pm 0.3$	DIM A $\pm 0.3$	PART NUMBER

METRIC

THIS DRAWING IS A CONTROLLED DOCUMENT.

DIMENSIONS: mm [INCHES]	TOLERANCES UNLESS OTHERWISE SPECIFIED: 0 PLC $\pm -$ 1 PLC $\pm 0.25$ 2 PLC $\pm 0.15$ 3 PLC $\pm -$ 4 PLC $\pm -$ ANGLES $\pm -$ FINISH	DWN S. HOOVER 28-APR-2004	CHK J. ELLIS 28-APR-2004	APVD J. ELLIS 28-APR-2004	NAME
MATERIAL SEE NOTES	PRODUCT SPEC	TE Connectivity			RESTRICTED TO
APPLICATION SPEC		HEATER ASSEMBLY-ECONOMY POWER RIGHT ANGLE, .200 CENTER LINE			
WEIGHT		SIZE A2	CAGE CODE 00779	DRAWING NO C=1744048	
CUSTOMER DRAWING		SCALE 5:1	SHEET 1 of 1	REV B1	