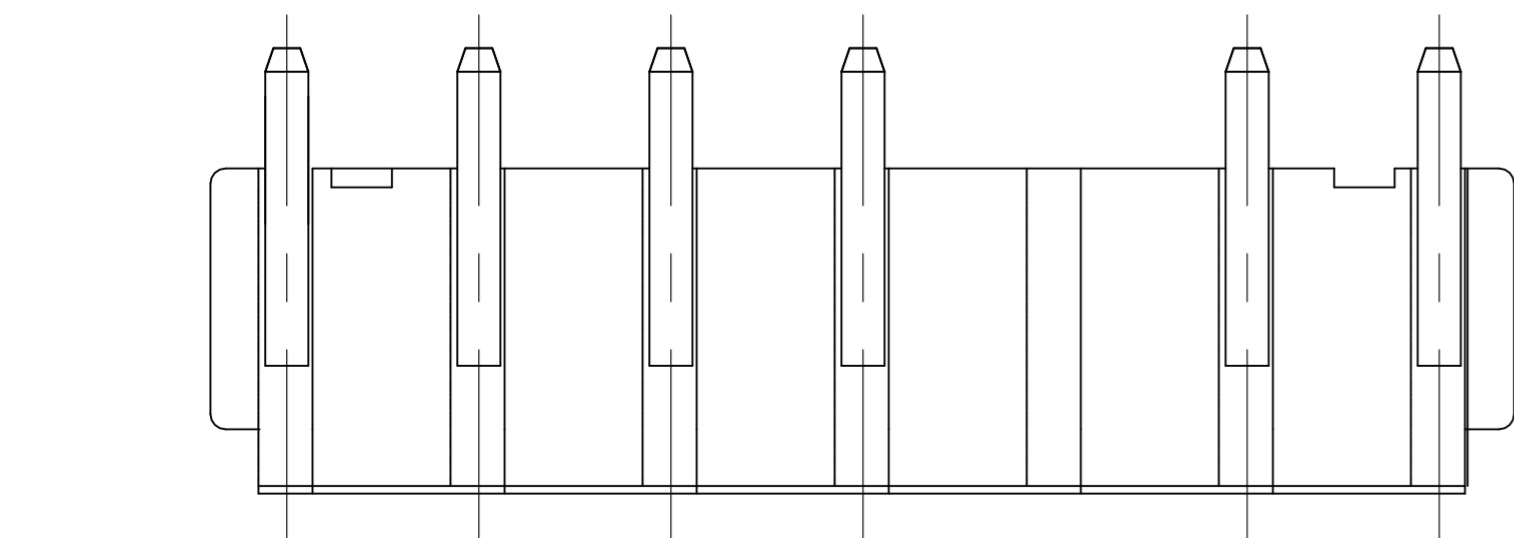
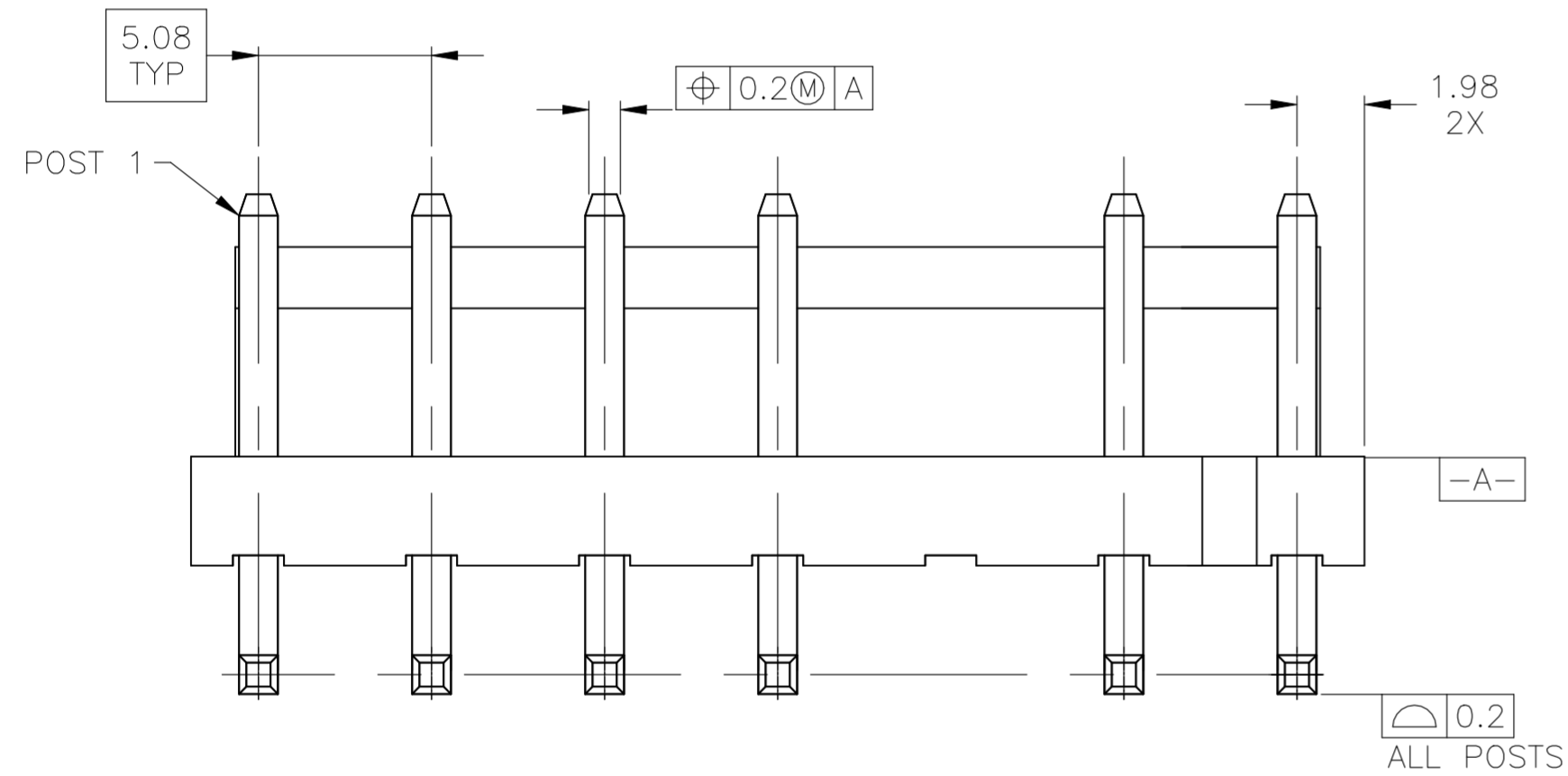
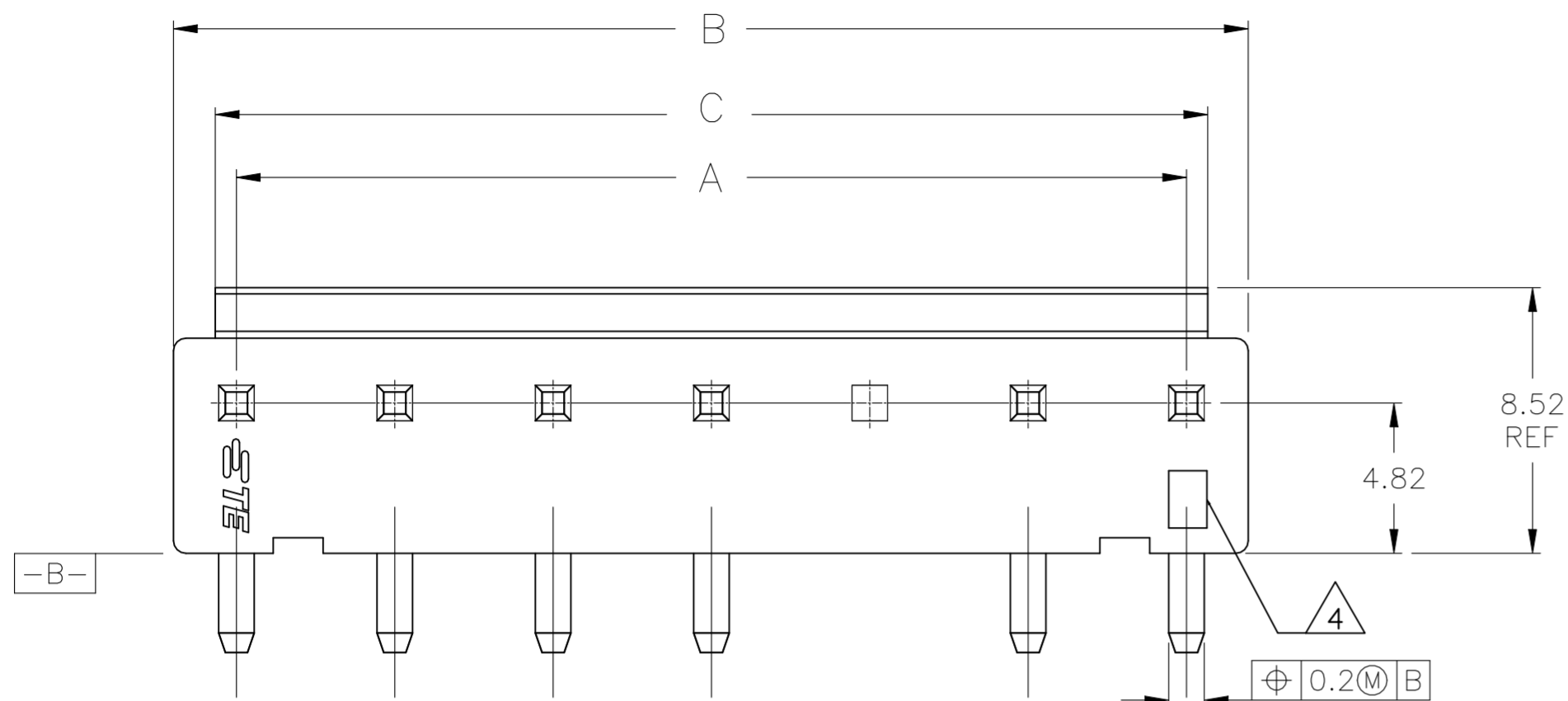
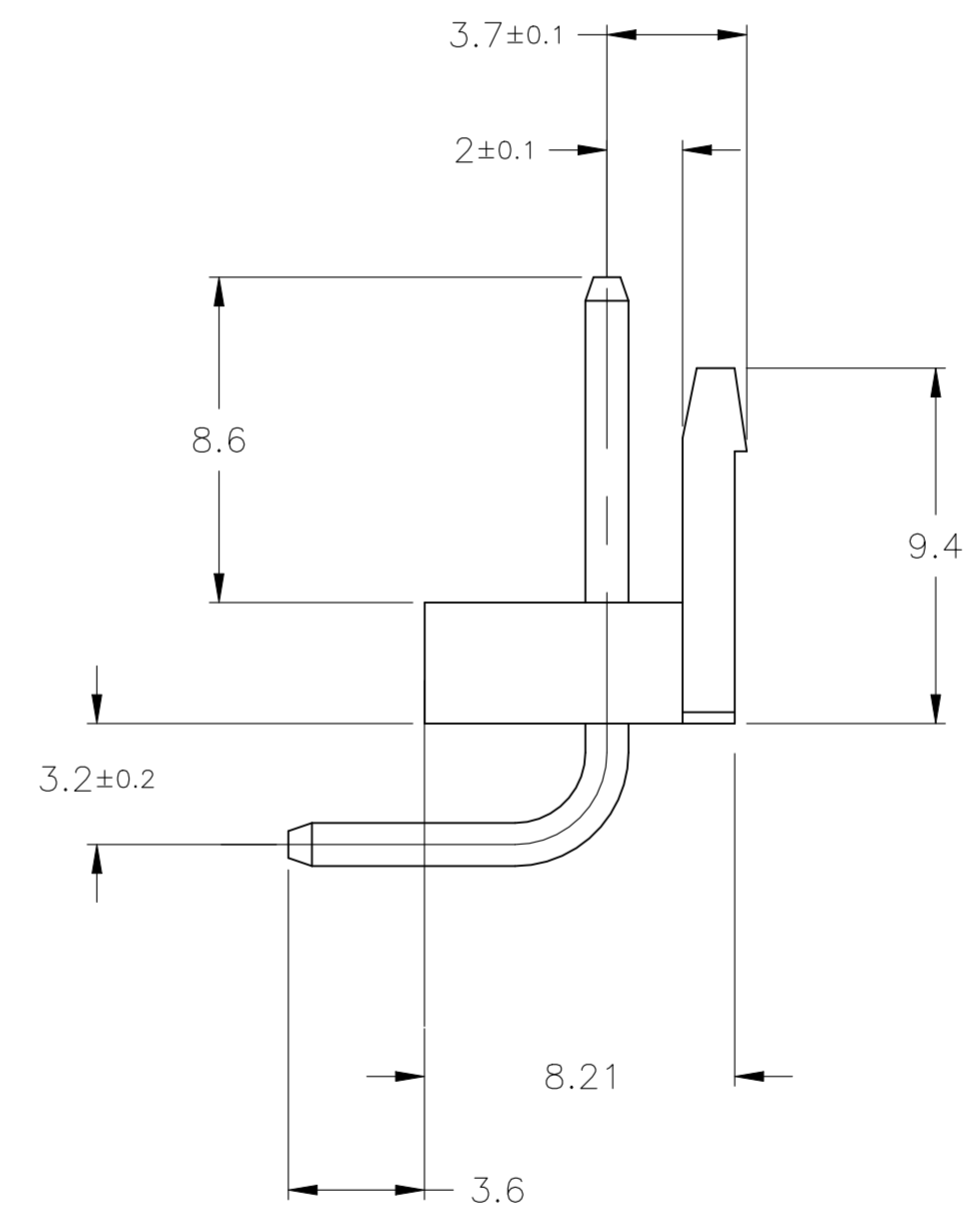
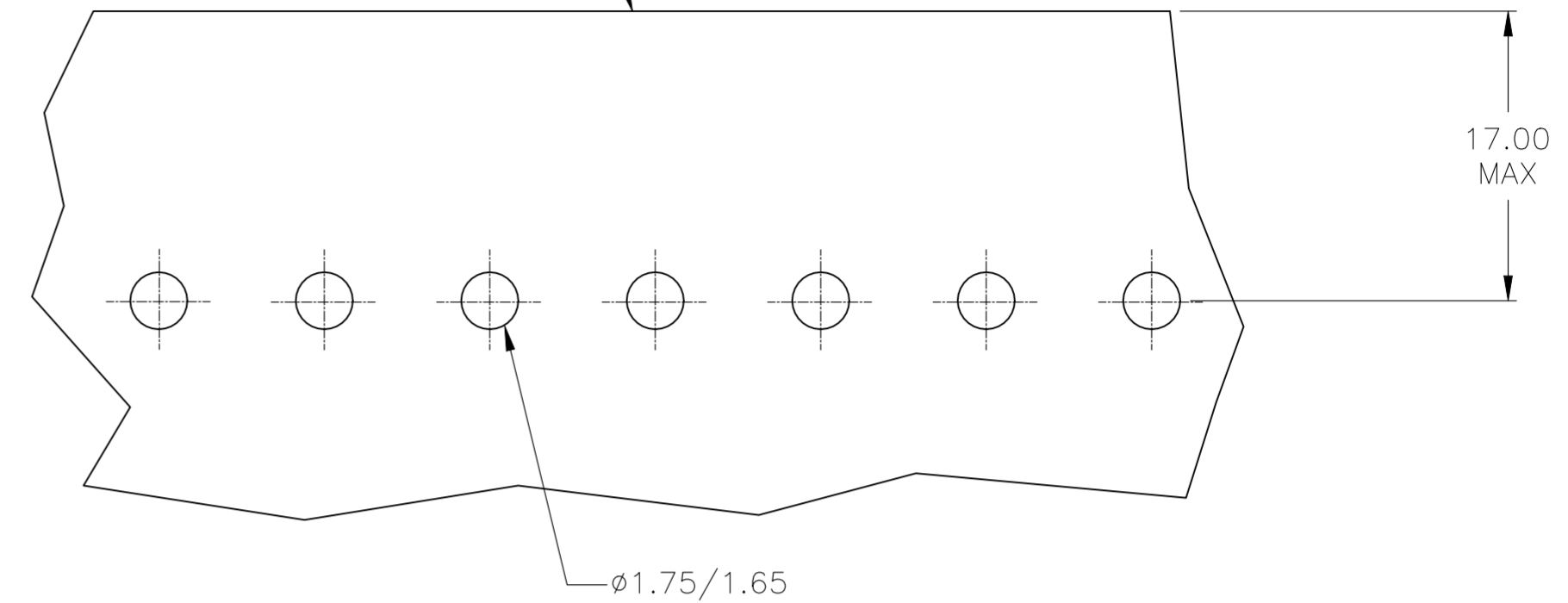


REVISIONS					
P	LTR	DESCRIPTION	DATE	DWN	APVD
B1		REVISED PER ECR-23-195532	04JAN2024	N.H	L.C



METRIC

EDGE OF BOARD



1. HOUSING MATERIAL: NYLON 66, UL 94V-0, NATURAL.
2. CONTACT MATERIAL: COPPER ALLOY
3. CONTACT PLATING: 0.003MM MIN TIN OVER 0.001MM MIN NICKEL.
4. MANUFACTURING LOCATION MARKS TO APPEAR APPROXIMATELY AS SHOWN.

31.82	34.44	30.48	1744067-7
DIM C ±0.2	DIM B ±0.3	DIM A ±0.3	PART NUMBER

THIS DRAWING IS A CONTROLLED DOCUMENT.		DWN S. HOOVER 28-APR-2004	<b>STE</b> TE Connectivity	
DIMENSIONS: mm [INCHES]		CHK J. ELLIS 28-APR-2004		
TOLERANCES UNLESS OTHERWISE SPECIFIED:		APVD J. ELLIS 28-APR-2004	NAME HEADER ASSEMBLY-ECONOMY POWER RIGHT ANGLE, .200 CENTER LINE, 7 POSITION, OMIT NO. 5	
0 PLC ± -		PRODUCT SPEC	SIZE A2	CAGE CODE 00779
1 PLC ± 0.25		APPLICATION SPEC	DRAWING NO C=1744067	RESTRICTED TO -
2 PLC ± 0.15			WEIGHT 0.000000	SCALE 5:1
3 PLC ± -			CUSTOMER DRAWING	SHEET 1 of 1
4 PLC ± -				REV B1
ANGLES ± -				
FINISH				
MATERIAL SEE NOTES				