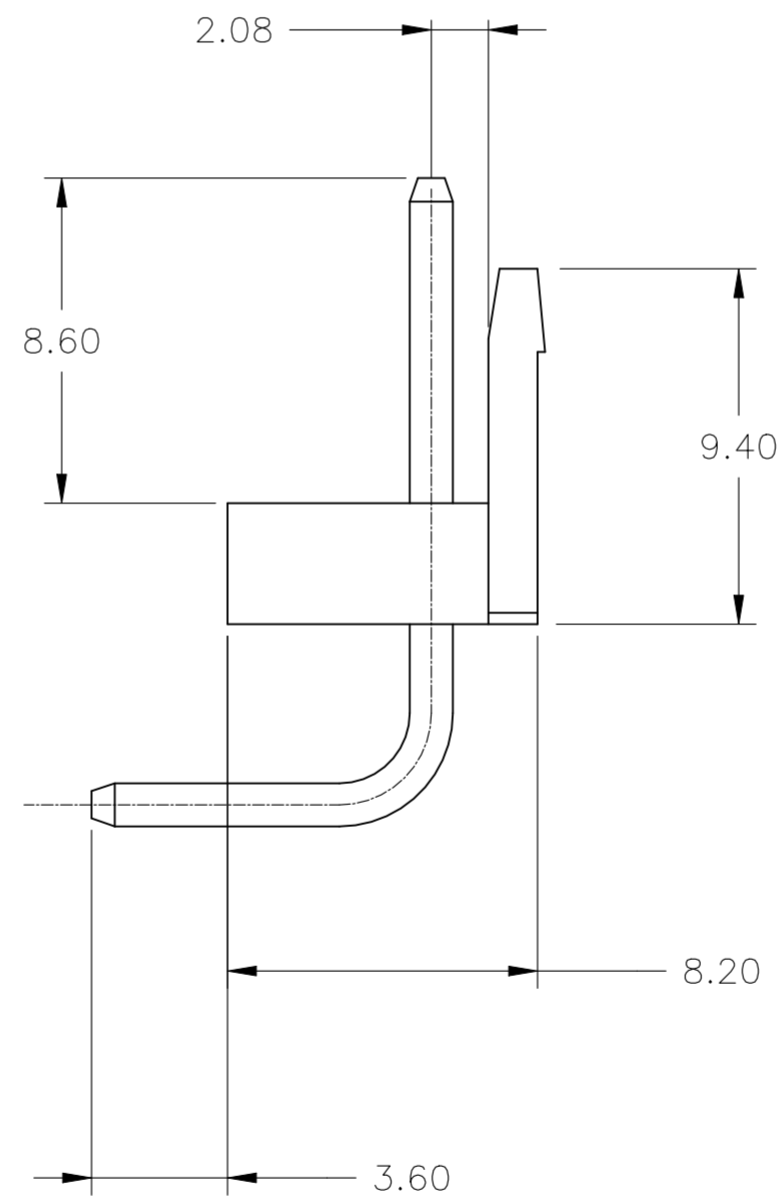
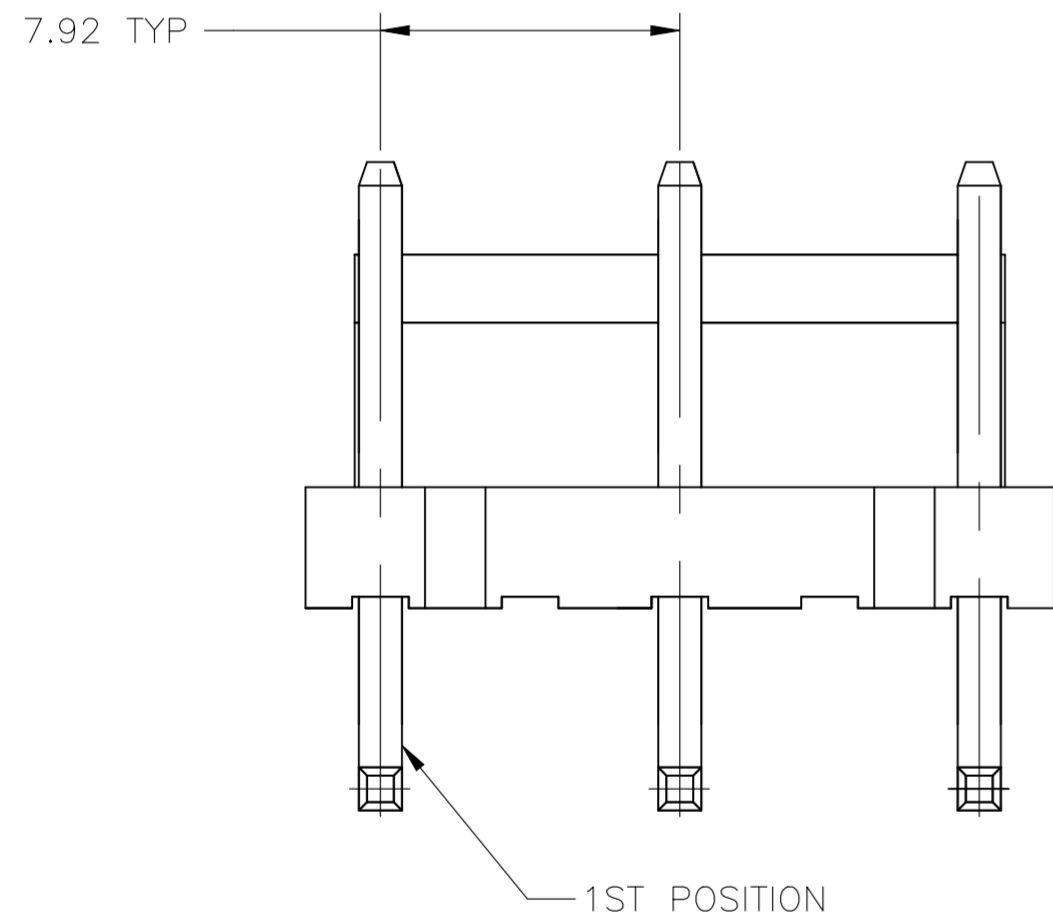
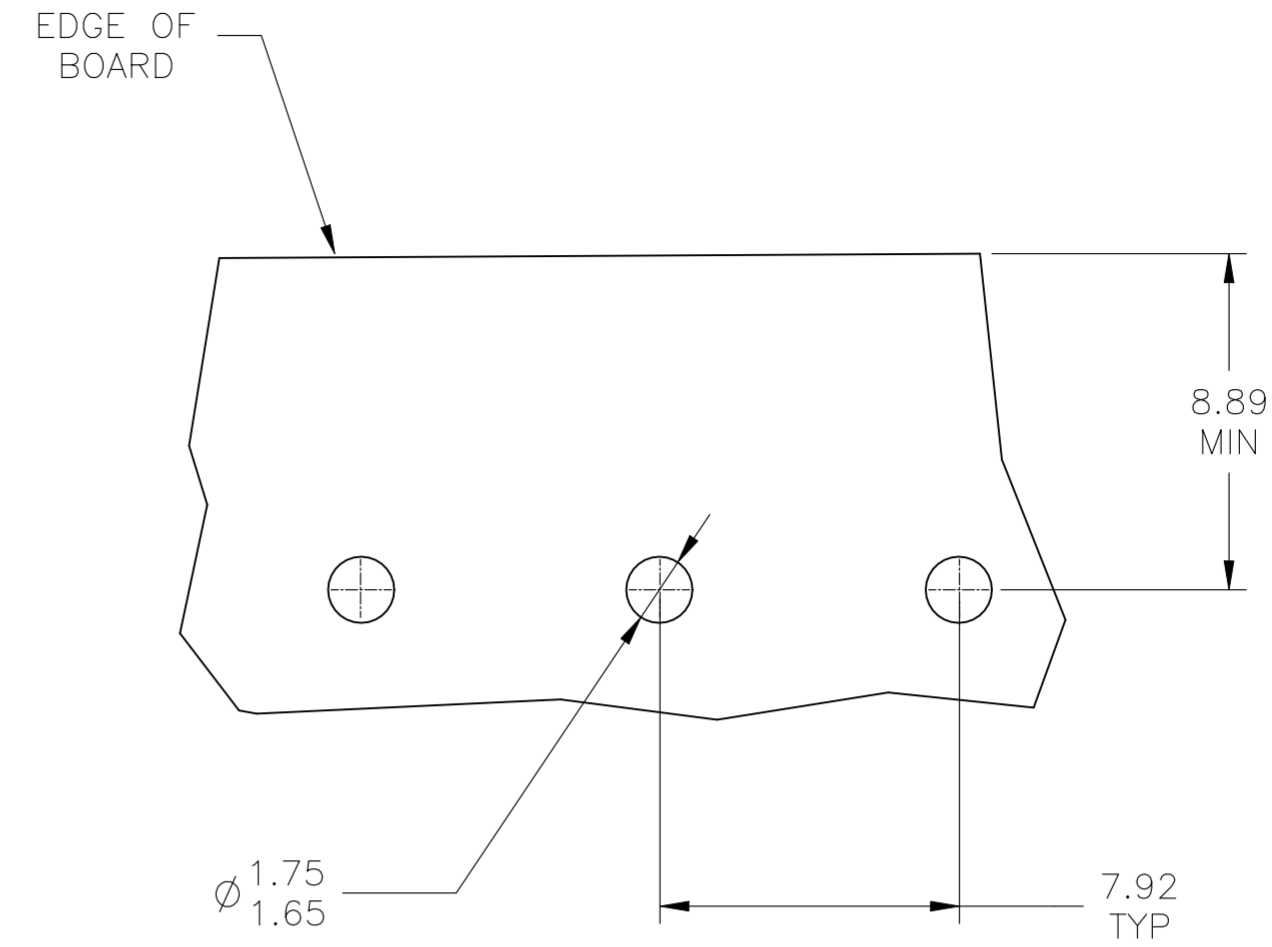
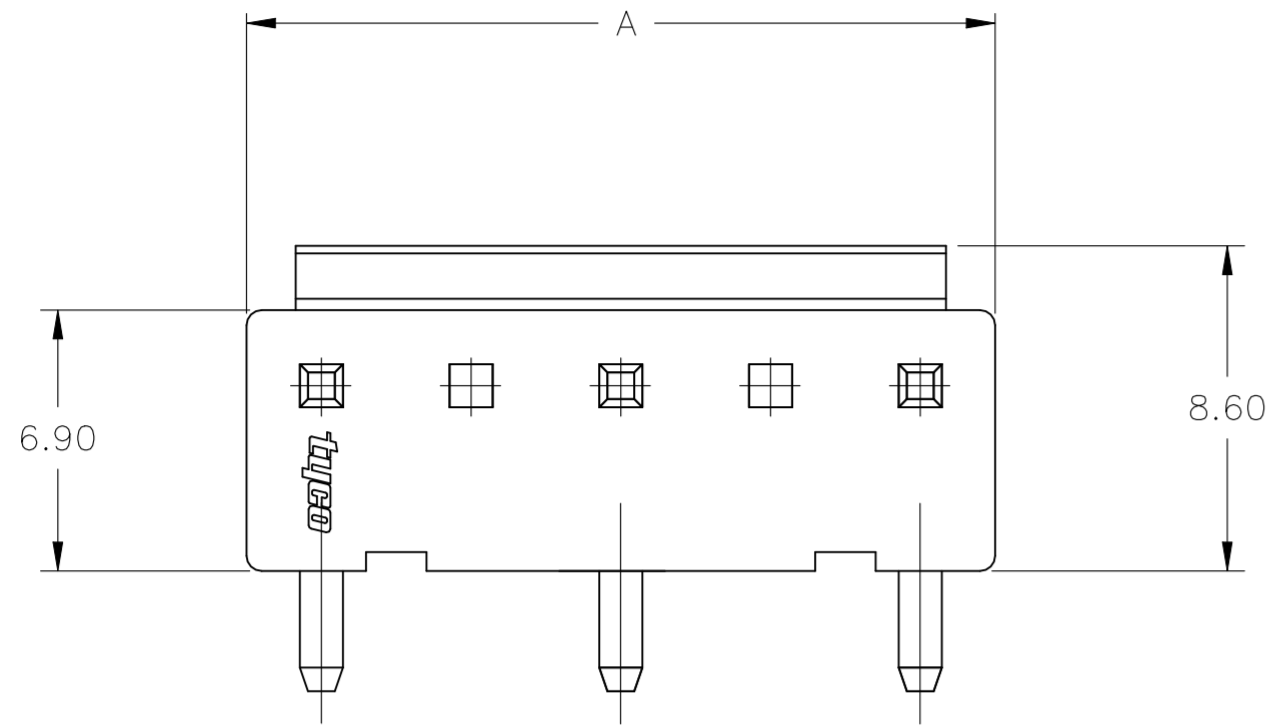


REVISIONS					
P	LTR	DESCRIPTION	DATE	DWN	APVD
E1		REVISED PER ECR-23-189254	13MAR2024	WH	LC



1. HOUSING MATERIAL: THERMOPLASTIC NYLON 66, UL94V-0 NATURAL
2. CONTACT MATERIAL: BRASS
3. CONTACT PLATING: 80u" TIN PLATED ON CONTACT AREA.

2, 4	19.80	1744336-1
POST NO. OMITTED	DIM A ± 0.30	PART NUMBER

THIS DRAWING IS A CONTROLLED DOCUMENT.		DWN K. WHITAKER 29MAY2008	TE TE Connectivity	
DIMENSIONS: mm		CHK S. RIDGILL 29MAY2008		
TOLERANCES UNLESS OTHERWISE SPECIFIED:		APVD S. RIDGILL 29MAY2008	NAME	
0 PLC \pm -		PRODUCT SPEC	108-5609	
1 PLC \pm -		APPLICATION SPEC	114-32134	
2 PLC ± 0.13		SIZE	CAGE CODE	DRAWING NO
3 PLC \pm -		A2	00779	C=1744336
4 PLC \pm -		WEIGHT	-	
ANGLES \pm -		CUSTOMER DRAWING	SCALE	N/A
MATERIAL		FINISH	-	
SEE NOTES		SHEET		1 of 1
		REV		E1