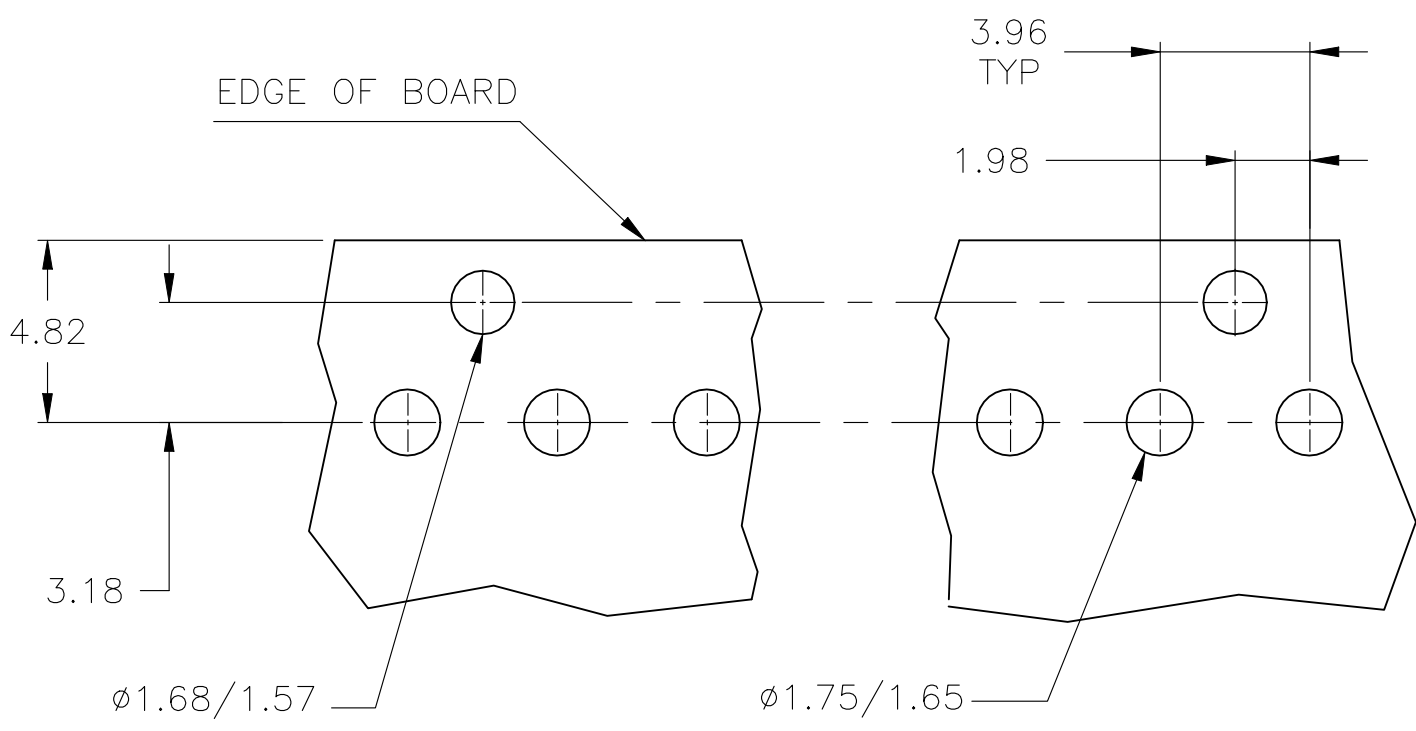
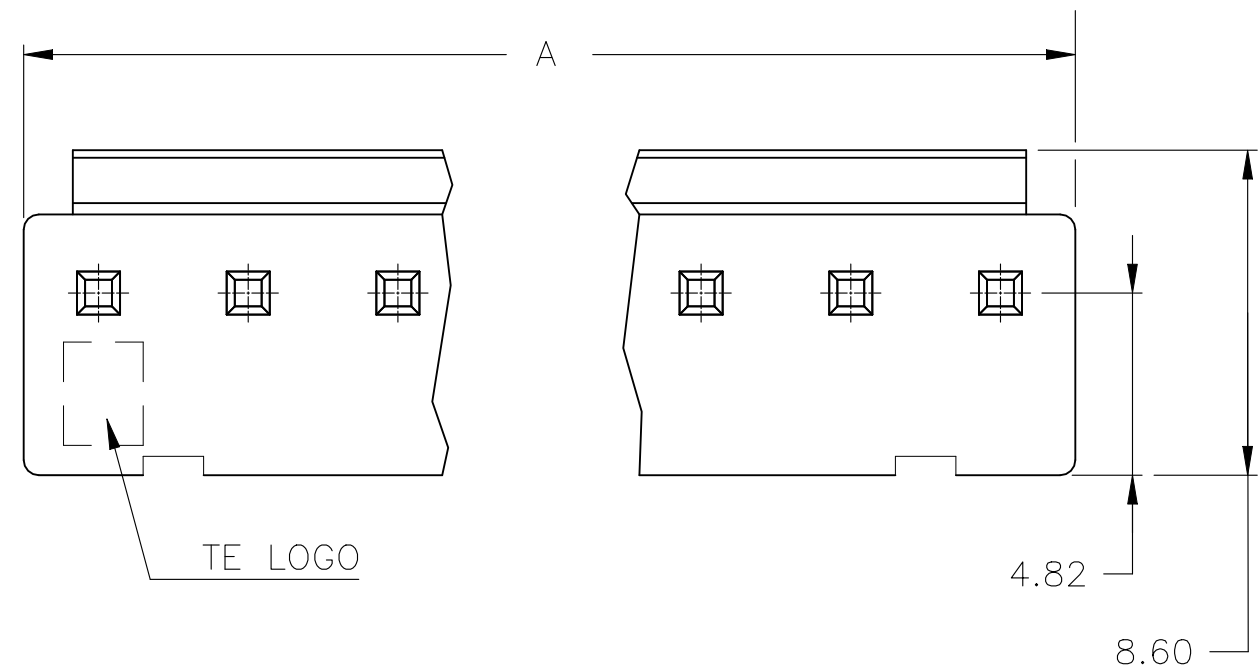


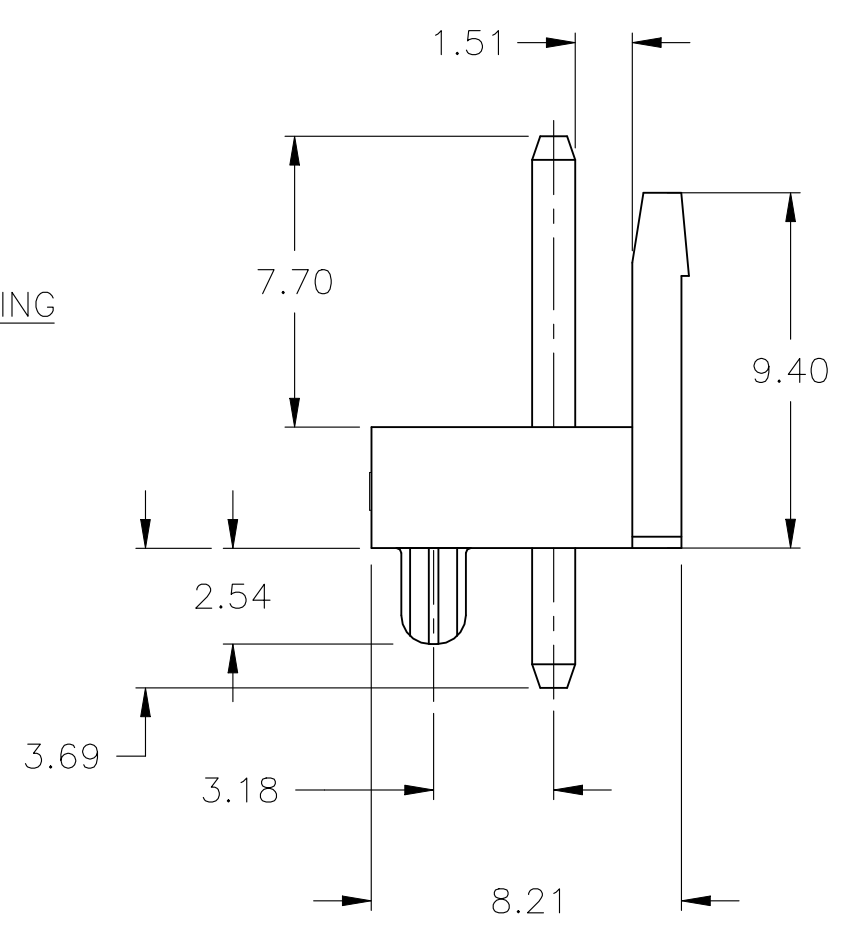
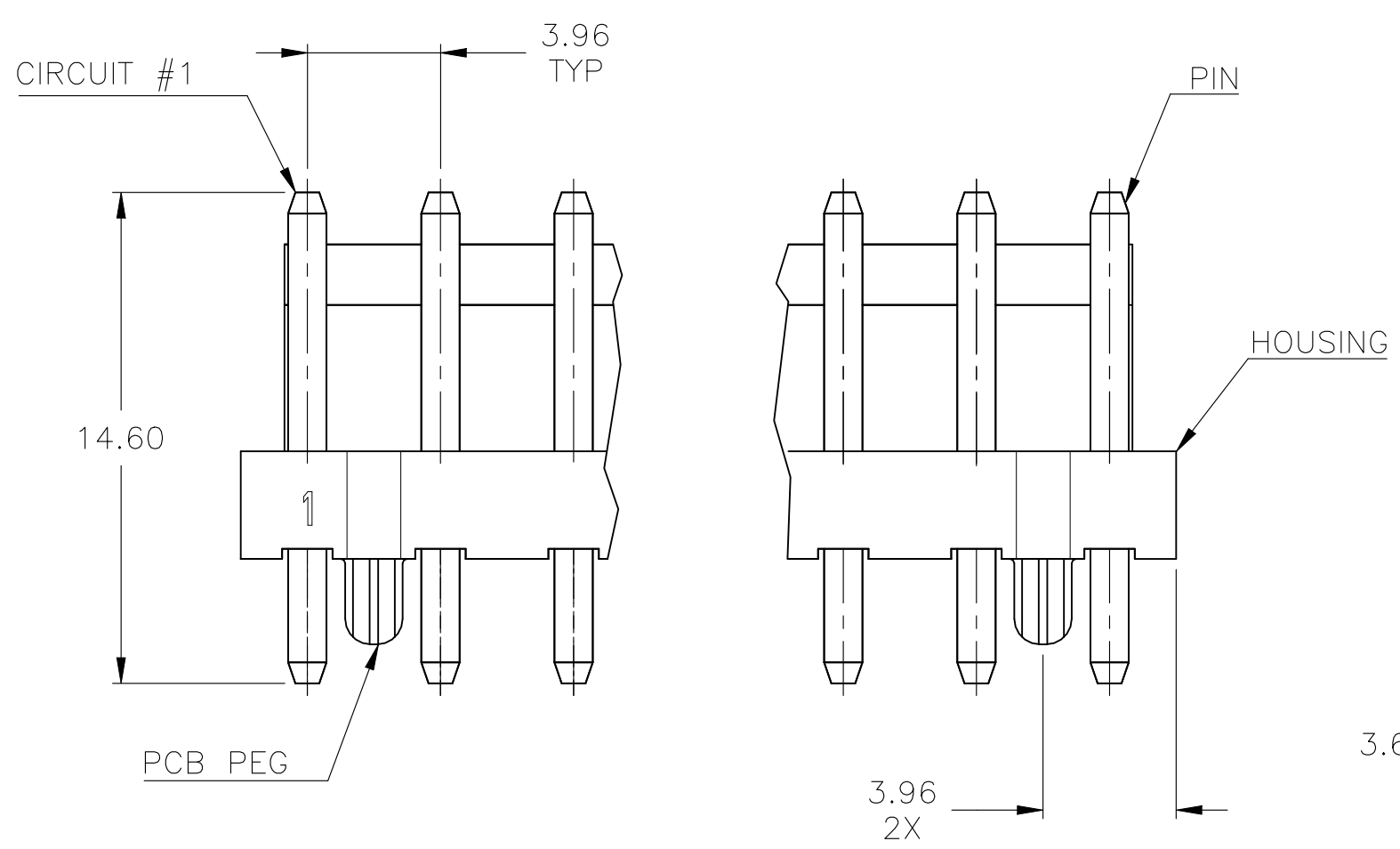
THIS DRAWING IS UNPUBLISHED. RELEASED FOR PUBLICATION
 © COPYRIGHT By - ALL RIGHTS RESERVED.

REVISIONS					
P	LTR	DESCRIPTION	DATE	DWN	APVD
D2		REVISED PER ECR-24-207953	20MAY2024	N.H	L.C

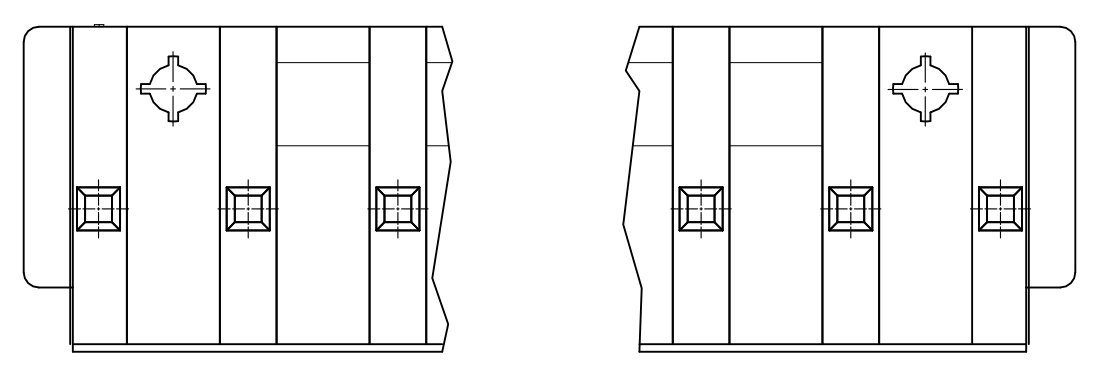


RECOMMENDED MOUNTING HOLE PATTERN FOR 1.60 THICK PC BOARD

- HOUSING MATERIAL: NYLON, UL94 V0.
 - PIN MATERIAL: BRASS.
 - PIN PLATING: 0.003 MM MIN TIN OVER 0.001 MM MIN NICKEL.
 - 2 POSITION HAS 1 PEG, ALL OTHERS HAVE 2 PEGS.
 - PARTS MEETS IEC 60335-1 GWT (GLOW WIRE TEST) 750°C SPEC.
 - SKETCHES SHOW NO PINS MISSING.
- △ "O" WITH PIN
"X" WITHOUT PIN.



1	2	3	4	5	6	7	8	9	NO. OF POSITIONS	COLOR	mm DIM A ±0.30	PART NUMBER
O	X	O	X	O	X	O			7	NATURAL	27.72	1-1744429-7
O	X	O	O	X	O				6	NATURAL	23.76	2-1744429-6
O	O	X	O	O	O	O	O	O	9	NATURAL	35.64	1-1744429-9
O	O	X	O	O	O				6	NATURAL	23.76	1-1744429-6
O	X	O	O						4	NATURAL	15.84	1-1744429-4
O	X	O	X	O					5	NATURAL	19.80	1-1744429-5
O	X	O							3	NATURAL	11.88	1-1744429-3
O	O	O	O	O	O	O	O	O	9	NATURAL	35.64	1744429-9
O	O	O	O	O	O	O	O		8	NATURAL	31.68	1744429-8
O	O	O	O	O	O	O			7	NATURAL	27.72	1744429-7
O	O	O	O	O	O				6	NATURAL	23.76	1744429-6
O	O	O	O	O					5	NATURAL	19.80	1744429-5
O	O	O	O						4	NATURAL	15.84	1744429-4
O	O	O							3	NATURAL	11.88	1744429-3
O	O								2	NATURAL	7.92	1744429-2



THIS DRAWING IS A CONTROLLED DOCUMENT.

DWN JR RUTH 09JAN12
 CHK SAM MACE 09JAN12
 APVD SAM MACE 09JAN12

STE TE Connectivity

NAME: 108-5609
 PRODUCT SPEC: APPLICATION SPEC

SIZE: A2 CAGE CODE: 00779 DRAWING NO: C=1744429 RESTRICTED TO: -

MATERIAL: SEE NOTES FINISH: WEIGHT: SCALE: 5:1 SHEET: 1 OF 1 REV: D2

CUSTOMER DRAWING