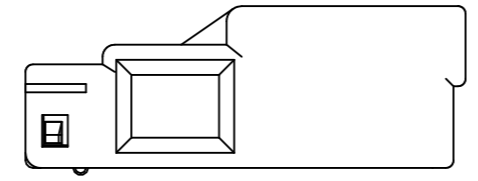
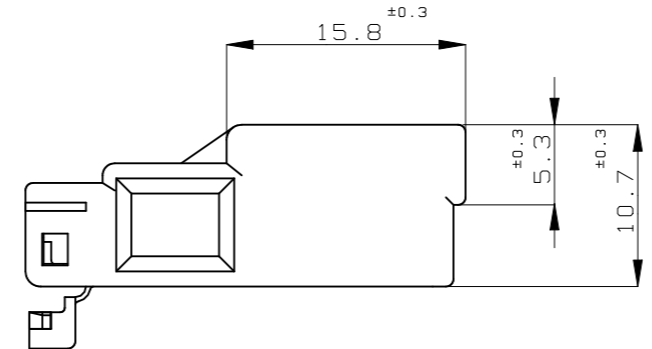
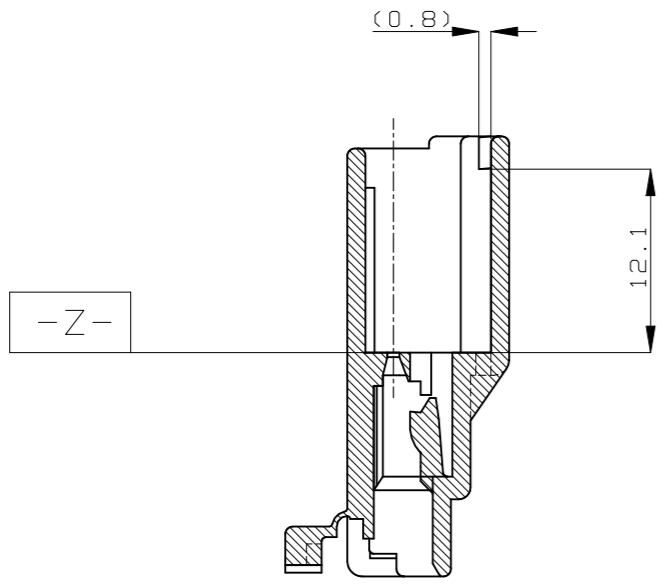
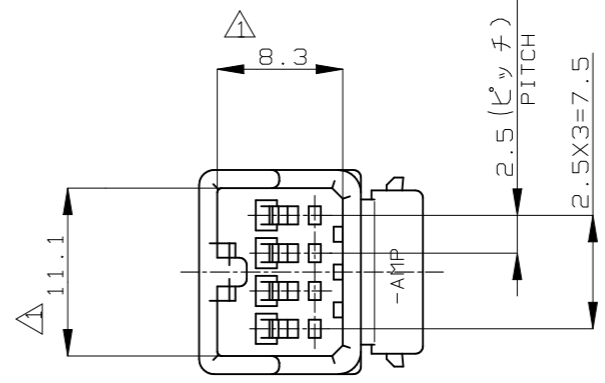
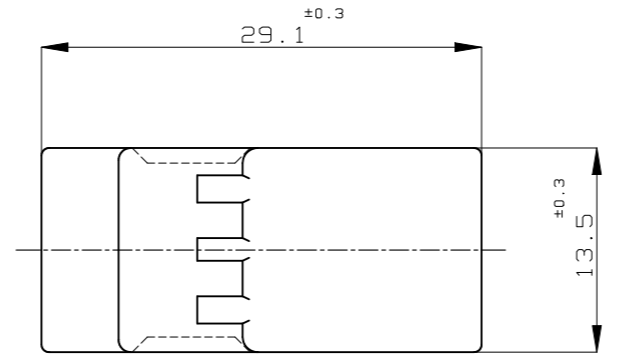
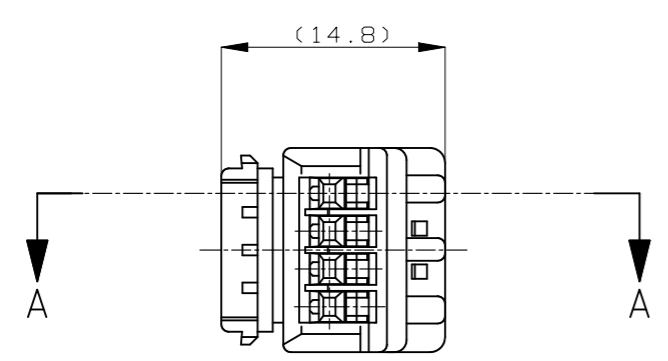


REVISIONS				
P	LTR	DESCRIPTION	DATE	APVD
B3		REVISED PER ECR-22-154022	28NOV2022	RK MT



A-A

二重ロック時
DOUBLE LOCKED

△ TO BE MEASURED WITHIN 2mm FROM -Z-
 2. THE MEATING PLUG HOUSING PART NUMBER; 174966
 3. APPLICABLE CONTACT PART NUMBER, 173682

△ -Z- 面から2mmの範囲で測定
 2. 相手側ハウジング型番; 174966
 3. 適用端子型番、 173682

OBSELETE	青 (BLUE)	174967-5
OBSELETE	緑 (GREEN)	174967-4
	黒 (BLACK)	174967-2
	色 (COLOR)	製品型番 (PART NO.)

TOLERANCE UNLESS OTHERWISE SPECIFIED:
一般公差

0 < x ≤ 10	: ±0.2
10 < x ≤ 30	: ±0.25
30 < x ≤ 100	: ±0.3
ANGLE ; 角度	: ±3°

THIS DRAWING IS A CONTROLLED DOCUMENT.

DIMENSIONS: 単位: 耗 mm	TOLERANCES UNLESS OTHERWISE SPECIFIED: 一般公差
	0 PLC ± -
	1 PLC ± -
	2 PLC ± -
	3 PLC ± -
	4 PLC ± -
ANGLES	± -
MATERIAL 材料	FINISH 仕上
PBT	-

DWN	M.SUGAWARA	02AUG06
CHK	K.BETSUI	02AUG06
APVD	K.BETSUI	02AUG06
PRODUCT SPEC	製品規格	108-5352
APPLICATION SPEC	取付適用規格	-
WEIGHT	-	-

TE Connectivity		NAME 名称		RESTRICTED TO
		4POSITION CAP HOUSING 040SERIES MULTI-LOCK CONNECTOR		
SIZE	CAGE CODE	DRAWING NO 番号	-	
A3	00779	G-174967	-	
CUSTOMER DRAWING		SCALE 尺度	SHEET	REV
		2:1	1 OF 1	B3