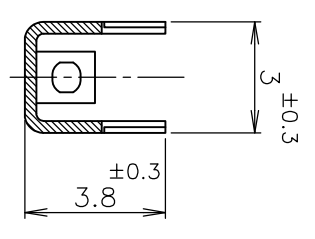
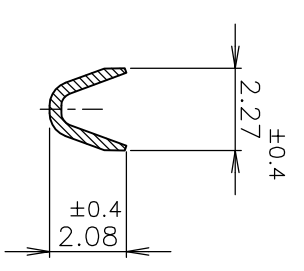


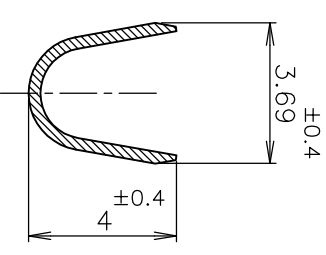
Loc	DIST	REVISIONS		
ES	00	P	DESCRIPTION	DATE
		LTR		DWN
		B	REVISED ECR-08-010159	22APR08
				C.Z S.Y



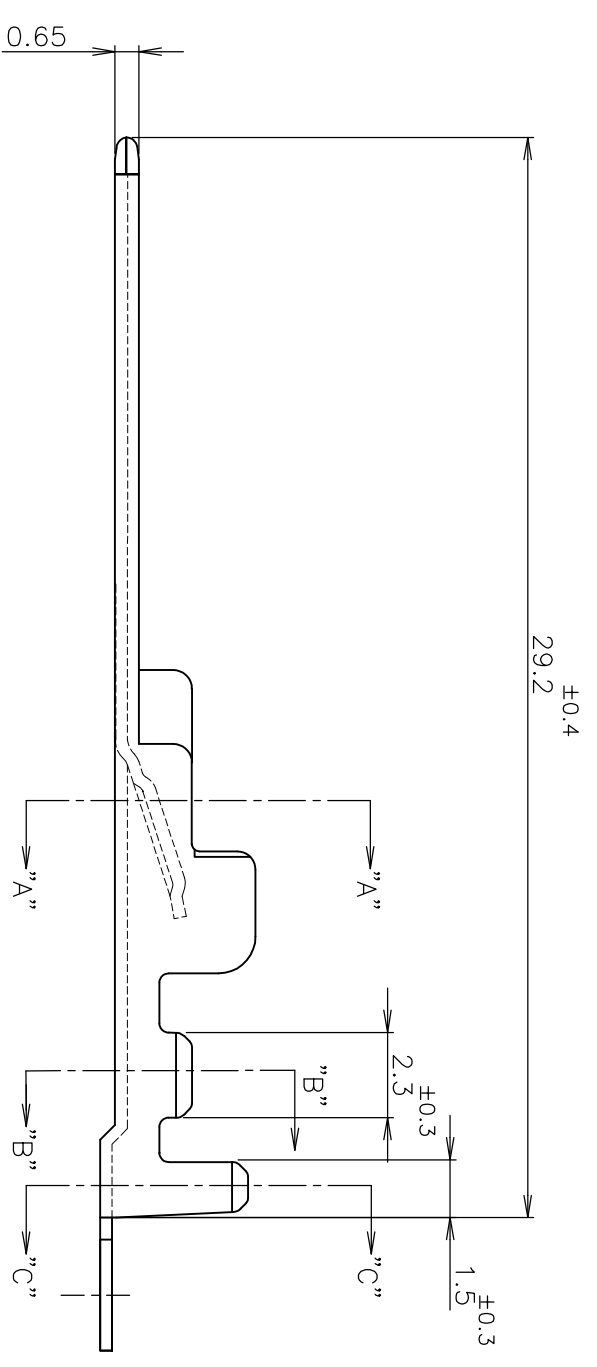
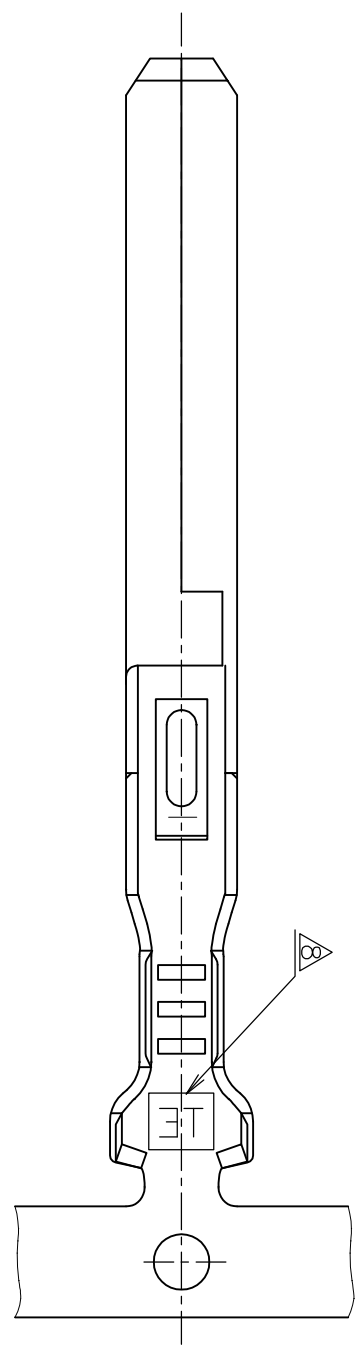
SECT "A" - "A"



SECT "B" - "B"



SECT "C" - "C"



- NOTES:
- 1 MATERIAL : COPPER ALLOY.
 - 2 FINISH : PRE-PLATED
 - 3 NICKEL PL ALL OVER
 - 4 CONTACT AREA : GOLD PL.
 - 5 BARREL AREA : TIN-LEAD PL.
 - 6 FINISH : TIN PL ALL OVER.
 - 7 FINISH : PRE-PLATED
 - 8 NICKEL PL ALL OVER
 - 9 CONTACT AREA : GOLD PL.
 - 10 BARREL AREA : TIN PL.
 - 11 USED CONNECTOR P/N : X-179325-X, X-179318-X
 - 12 : X-179388-X
 - 13 APPLICATION SPECIFICATION : (114-5182)
 - 14 GENERAL TOLERANCE
 - 15 10 \pm : ± 0.2
 - 16 30 \pm > 10 : ± 0.25
 - 17 100 \pm > 30 : ± 0.3
 - 18 ANGLES : $\pm 3^\circ$
 - 19 TRADE MARK: "TE"

THIS DRAWING IS A CONTROLLED DOCUMENT.

DIMENSIONS:	MM	TOLERANCES UNLESS OTHERWISE SPECIFIED:
0 PLC		\pm
1 PLC		\pm
2 PLC		\pm
3 PLC		\pm
4 PLC		\pm
ANGLES		\pm
FINISH		\pm
MATERIAL	1	

DWN	03FEB94	INSULATION DIA	ϕ 1.4~2.6 mm
CHK	T.YAMAD	WIRE RANGE	0.2~0.5mm ² (AWG20~24)
APVD	Y.FUJUIRA	NAME	Tyco Electronics
PRODUCT SPEC	Y.FUJUIRA	PLUG TAB CONTACT	
APPLICATION SPEC	114-5182	HYBRID MINI DRAWER CONNECTOR	
WEIGHT		SIZE	A3
CUSTOMER DRAWING		CAGE CODE	00779
		DRAWING NO	179322
		SCALE	NTS
		SHEET	1 OF 1
		REV	B

4	179322-3
3	1-179322-2
2	179322-2
FINISH	P/N