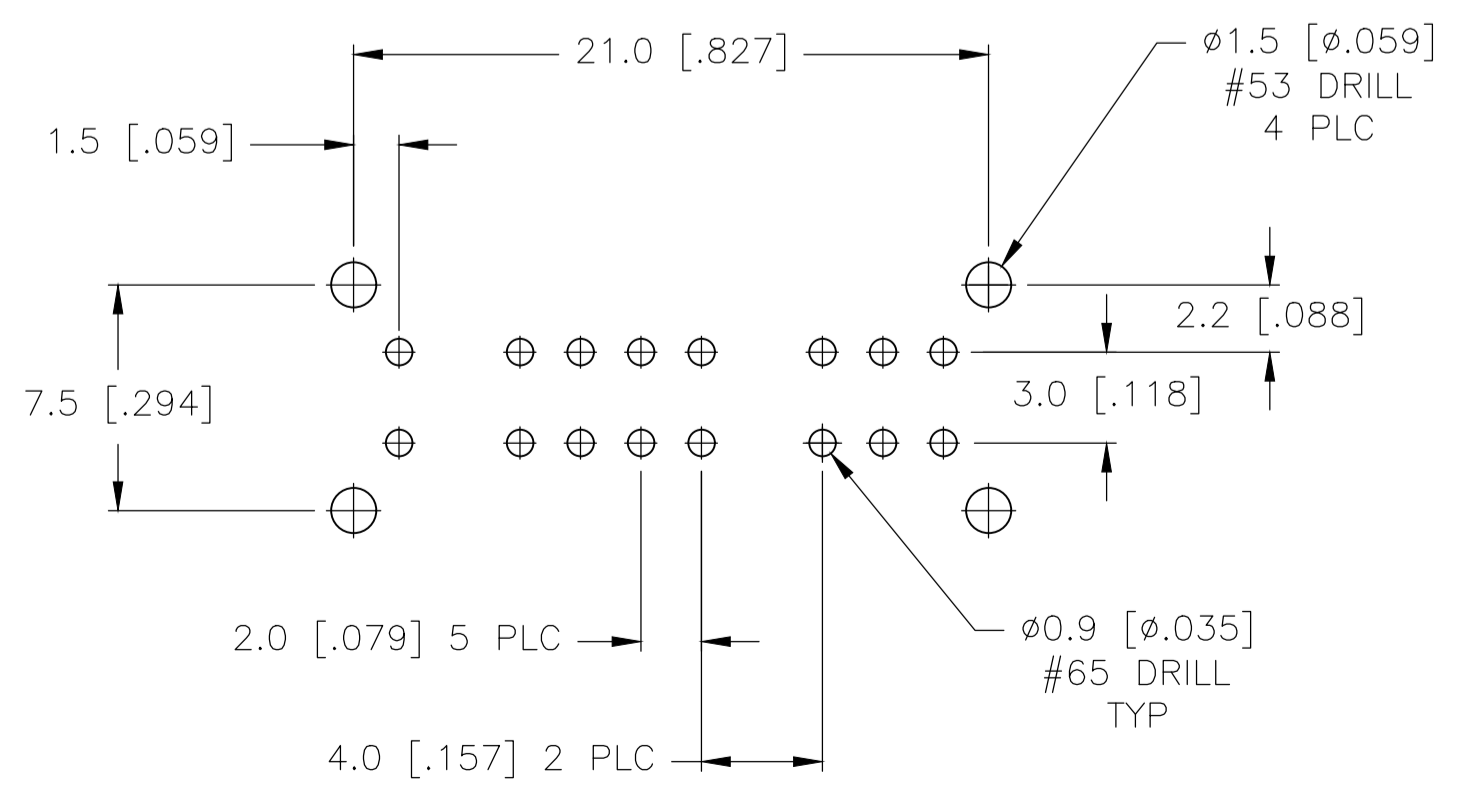
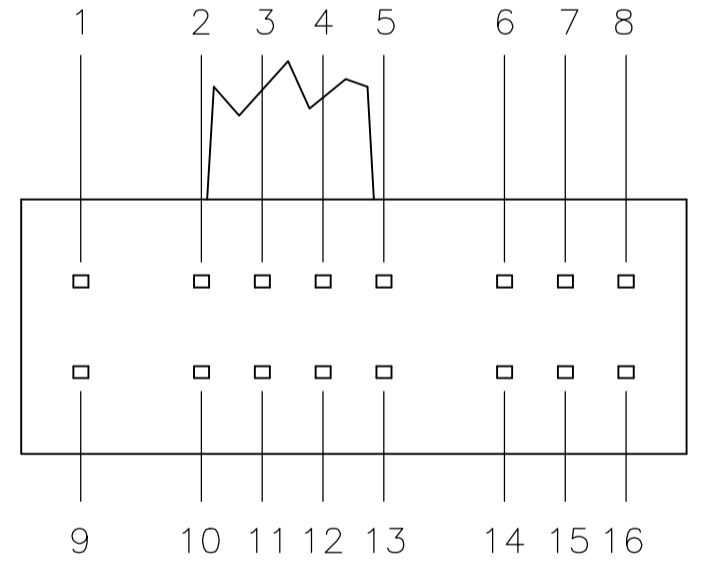
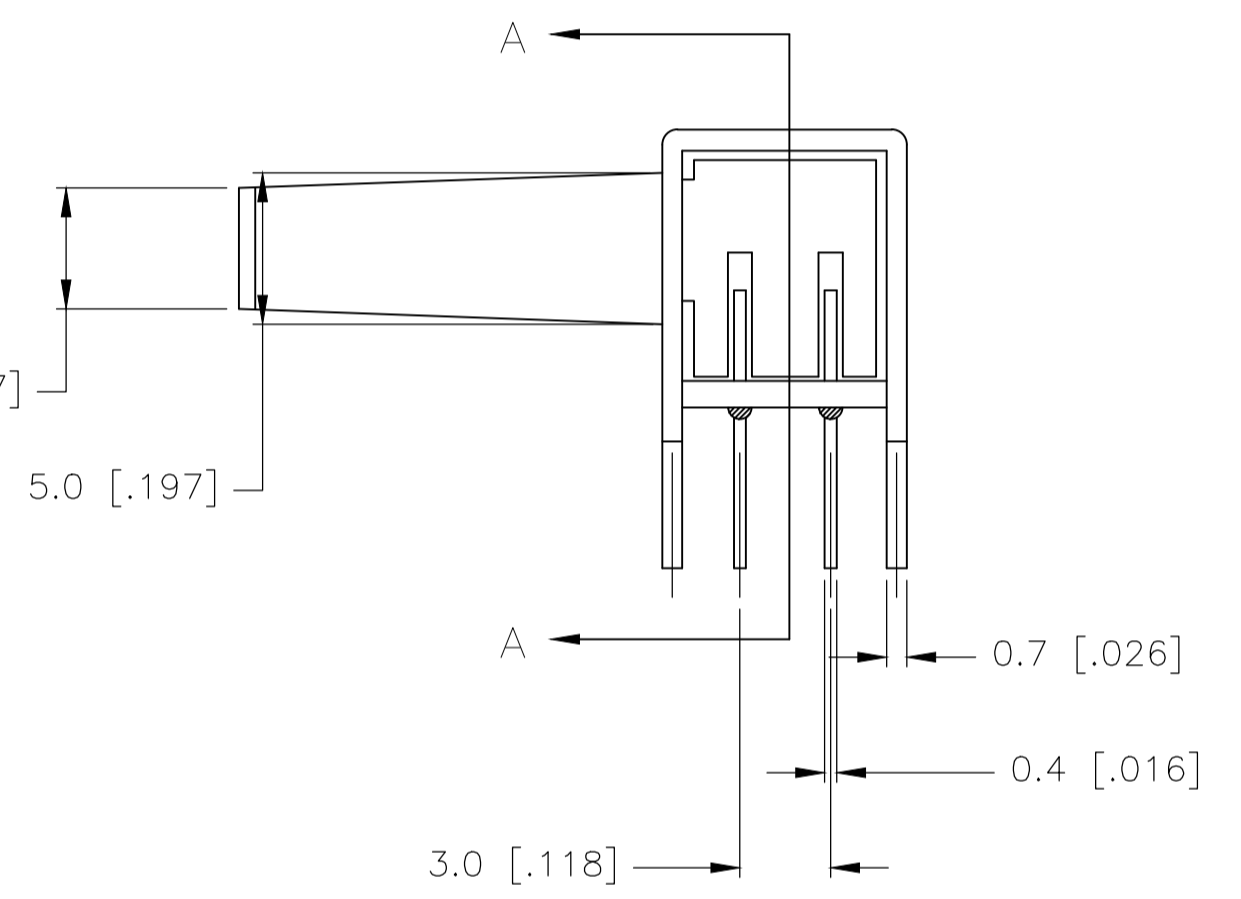
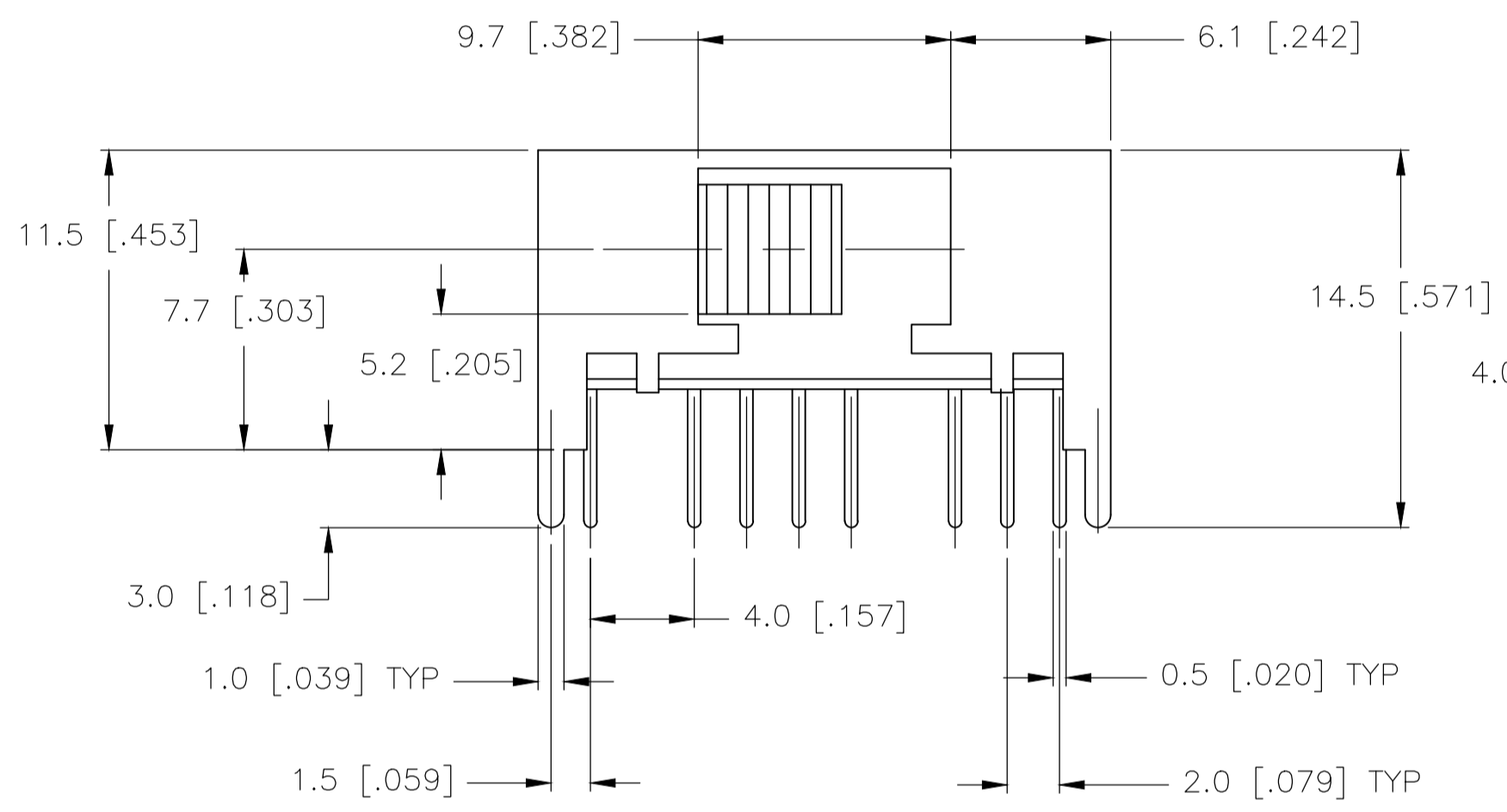
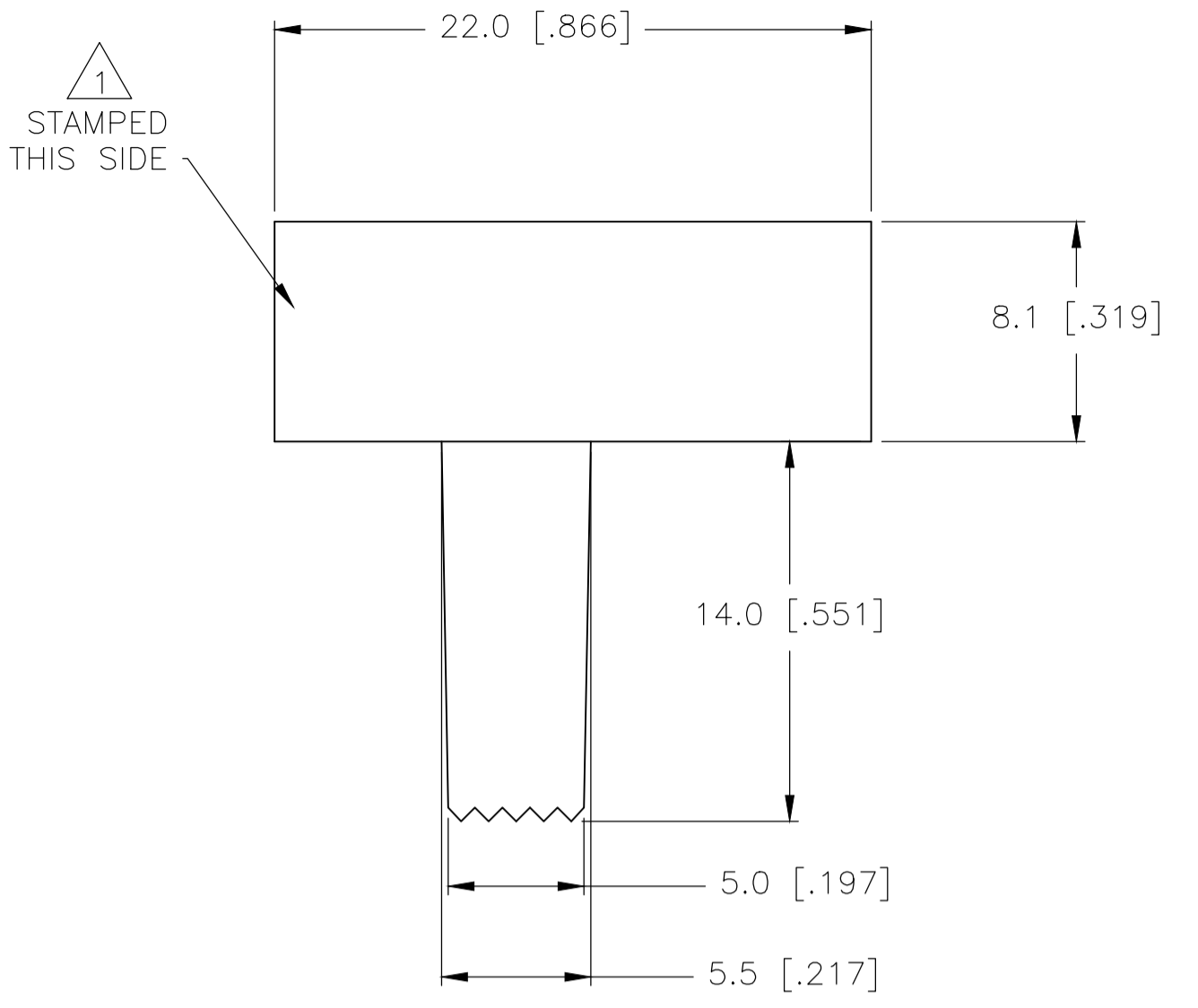
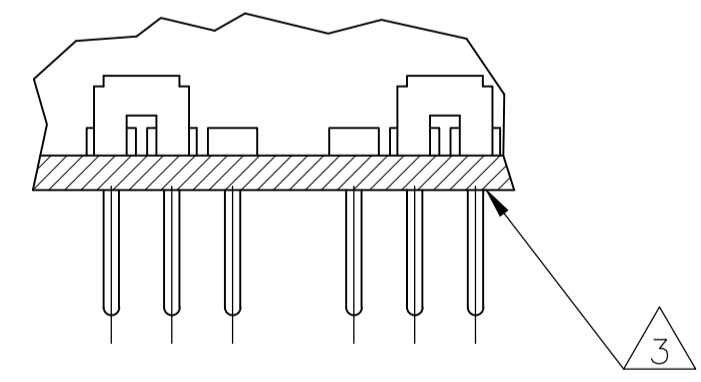


| REVISIONS |           |                           |     |     |      |
|-----------|-----------|---------------------------|-----|-----|------|
| REV       | DATE      | DESCRIPTION               | BY  | CHK | APPV |
| A2        | 24APR10   | REVISED PER ECO-10-008611 | HMR | NE  |      |
| A3        | 30MAY2017 | REVISED PER ECO-16-018096 | RK  | PO  |      |



RECOMMENDED BOARD LAYOUT



SECTION A-A

SPECIFICATIONS  
MAKE-BEFORE-BREAK

MATERIALS:  
 ACTUATOR- POM, UL94HB BLACK  
 TERMINAL BOARD- PHENOLIC LAMINATED SHEET, UL94HB, NATURAL  
 FRAME- STEEL, NICKEL PLATE  
 TERMINAL/FIXED CONTACT- COPPER ALLOY, GOLD OR SILVER OVER NICKEL PLATE  
 MOVING CONTACT- COPPER ALLOY, GOLD OR SILVER OVER NICKEL PLATE  
 DETENT BALL- STEEL  
 COIL SPRING- GALVANIZED SPRING WIRE  
 SEAL- EPOXY

ELECTRICAL:  
 CONTACT RATING- .4VA@20VDC OR PEAK AC (GOLD); 300mA@125V AC (SILVER)  
 INITIAL CONTACT RESISTANCE- 30 milliohm max.  
 FINAL CONTACT RESISTANCE- 100 milliohm max. (AFTER TEST)  
 INSULATION RESISTANCE- 1,000 Megohms min.  
 DIELECTRIC STRENGTH- 500V RMS@SEA LEVEL  
 LIFE EXPECTANCY- 15,000 CYCLES MIN.

MECHANICAL:  
 ACTUATION FORCE- 600+/-300 GRAMS  
 TRAVEL- 2.0 +/-0.50 (.079 +/-0.020)

ENVIRONMENTAL:  
 OPERATING TEMPERATURE- -20 TO +85 DEGREES C  
 STORAGE TEMPERATURE- -40 TO +100 DEGREES C  
 RESISTANCE TO SOLDER HEAT PER 109-202, CONDITION B  
 SOLDERABILITY PER EIA-364-52, CLASS 2, CATEGORY 1, 95% MIN COVERAGE

NOTES:

1. COUNTRY OF ORIGIN AND TE LOGO LOCATED APPROXIMATELY AS SHOWN
2. ALL MATERIALS AND FINISHES SHALL COMPLY WITH EU DIRECTIVE 2002/95/EC OF 27JAN2003 (ROHS)
3. ANTI SOLDER WICK SEAL AT TERMINAL TO BOARD INTERFACE
4. ALL PERFORMANCE TESTING WAS DONE IN ACCORDANCE TO TE SPECIFICATION 102-2469

|             |              |            |   |  |  |
|-------------|--------------|------------|---|--|--|
| 1825270-2   | MSS4350RG04  | GOLD       | 1 TO 2<br>5 TO 6<br>9 TO 10<br>13 TO 14 | 2 TO 3<br>6 TO 7<br>10 TO 11<br>14 TO 15 | 2 TO 4<br>6 TO 8<br>10 TO 12<br>14 TO 16 |
| OBSELETE    | 1825270-1    | MSS4350R04 | SILVER                                  | 1 TO 2<br>5 TO 6<br>9 TO 10<br>13 TO 14  | 2 TO 3<br>6 TO 7<br>10 TO 11<br>14 TO 15 |
| TE PART NO. | T&B PART NO. | PLATING    |   |  |  |

TERMINALS CONNECTED WHEN SLIDE IS IN POSITION SHOWN.

THIS DRAWING IS A CONTROLLED DOCUMENT.

|                  |  |                      |                       |
|------------------|--|----------------------|-----------------------|
| DIMENSIONS: mm   | TOLERANCES UNLESS OTHERWISE SPECIFIED: | DIN R BROWN 21DEC05  | TE Connectivity       |
| 0 PLC ± -        | 1 PLC ± 0.3 [0.12]                     | CHK M SARVER 21DEC05 | APVD M SARVER 21DEC05 |
| 2 PLC ± -        | 3 PLC ± -                              | NAME                 | NAME                  |
| 4 PLC ± -        | ANGLES ± -                             | PRODUCT SPEC         | PRODUCT SPEC          |
| MATERIAL         | FINISH                                 | APPLICATION SPEC     | APPLICATION SPEC      |
| WEIGHT           | WEIGHT                                 | SIZE                 | CAGE CODE             |
| CUSTOMER DRAWING | SCALE 4:1                              | DRAWING NO. A1 00779 | DRAWING NO. 1825270   |
|                  | SHEET 1 OF 1                           | REV A3               |                       |