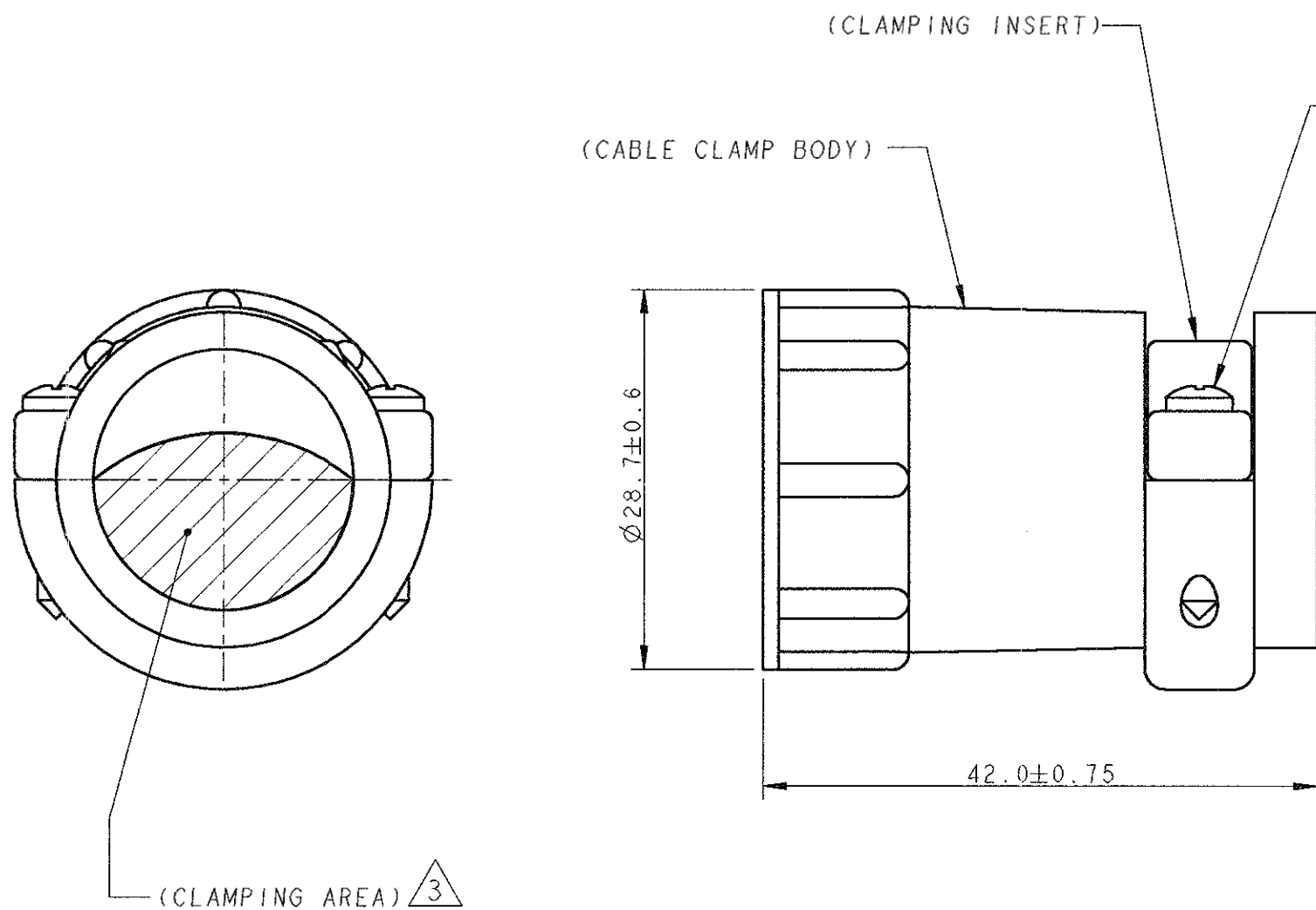


LOC	DIST	REVISIONS			
P	LTR	DESCRIPTION	DATE	DWN	APVD
	B	REDRAWN, ET00-0298-00	17 Nov '00	RE	CT
	C	Changed screw according to RoHS	28/07/05 ECR7789	AV	GT
	D	ECN-22-137327	02FEB2022	RK	MZ



1. MATERIAL: BLACK THERMOPLASTIC RATED F1 FOR OUTDOOR SUITABILITY PER UL 946C.
2. PARTS PACKAGED UNASSEMBLED IN A PLASTIC BAG
- $\triangle 3$  CABLE CLAMPING AREA ADJUSTABLE FROM 64.5 TO 264.5 mm<sup>2</sup> (.100 TO .410 in<sup>2</sup>) BY SELECTING AND REVERSING CLAMPING INSERTS
4.  $\phi 17.86$  (.703 in) MAXIMUM CABLE OUTSIDE DIAMETER

(P/N 182661-1 AS SHOWN)

<small>THIS DRAWING IS A CONTROLLED DOCUMENT FOR TE INCORPORATED. IT IS SUBJECT TO CHANGE AND THE CONTROLLING ENGINEERING ORGANIZATION SHOULD BE CONTACTED FOR THE LATEST REVISION.</small>		DWN R. FABRIZI 15 NOV 2000	TE Connectivity
DIMENSIONS: mm		CHK -	
		APVD C. TARTARI	SIZE A3
MATERIAL -		PRODUCT SPEC 108-10024	
TOLERANCES UNLESS OTHERWISE SPECIFIED: 0 PLC $\pm$ 1 PLC $\pm$ 2 PLC $\pm 0.3$ 3 PLC $\pm$ 4 PLC $\pm$ ANGLES $\pm 2^\circ$		APPLICATION SPEC -	DRAWING NO C=182661
FINISH -		WEIGHT -	SCALE 2:1
CUSTOMER DRAWING			SHEET 1 OF 1 REV D