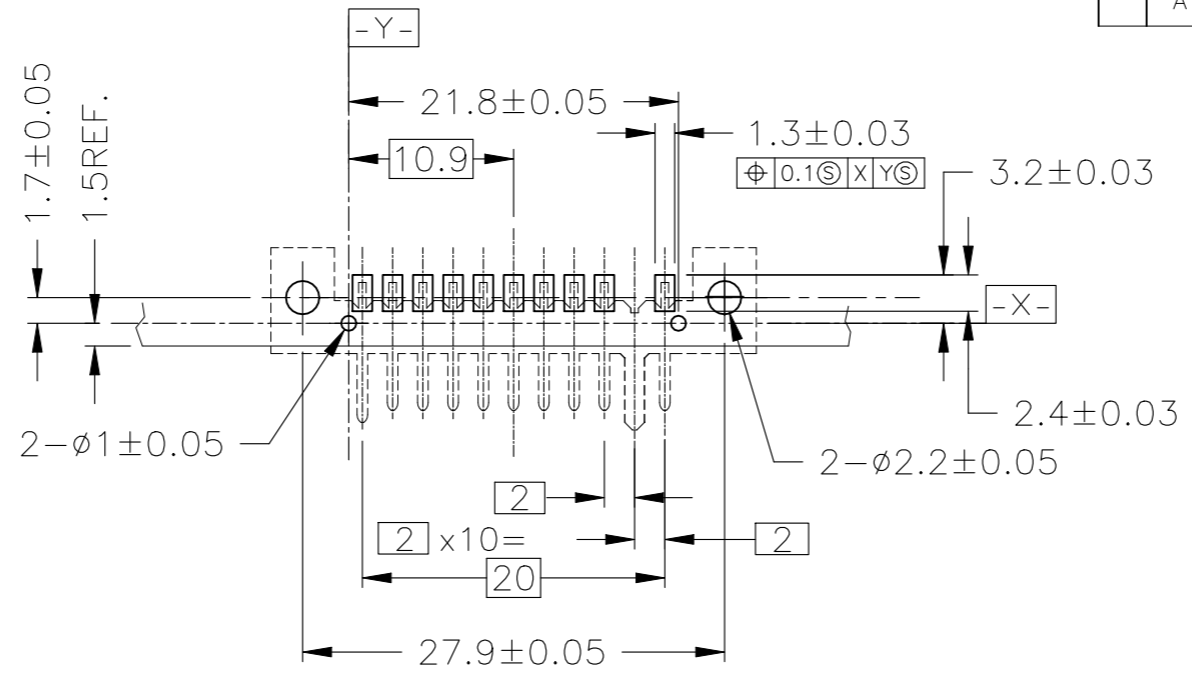
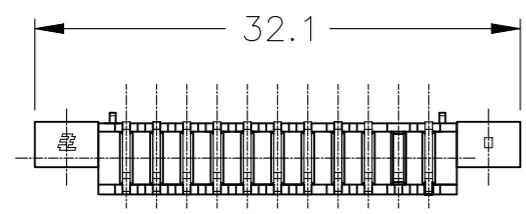


REVISIONS 変更				
P	LTR	DESCRIPTION	DATE	APVD
	A1	REVISED	16APR2021	J.J N.S

1827501-1,-2:AS SHOWN

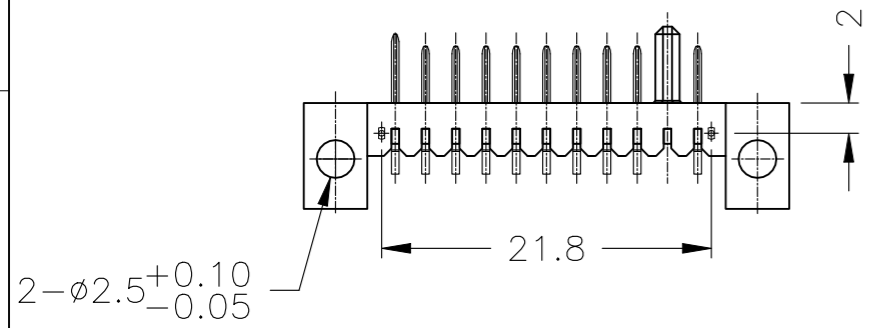
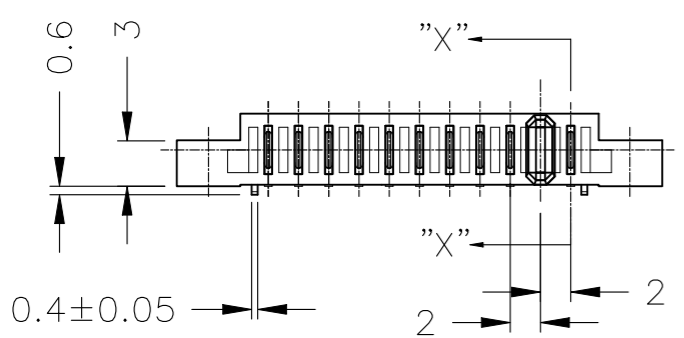
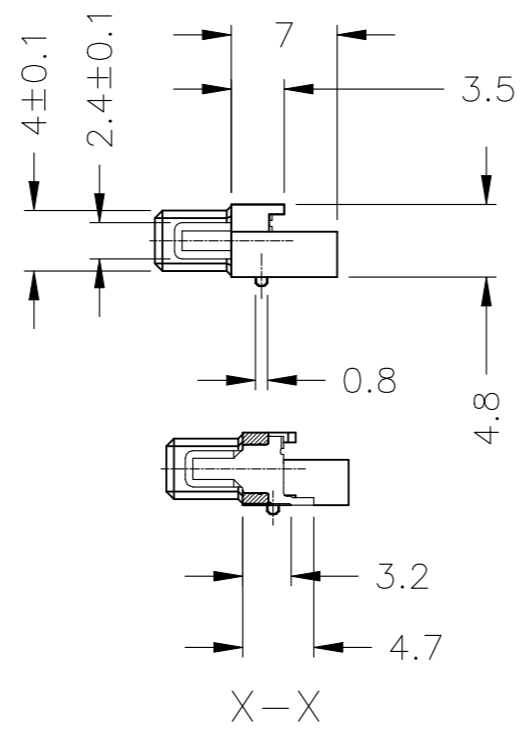
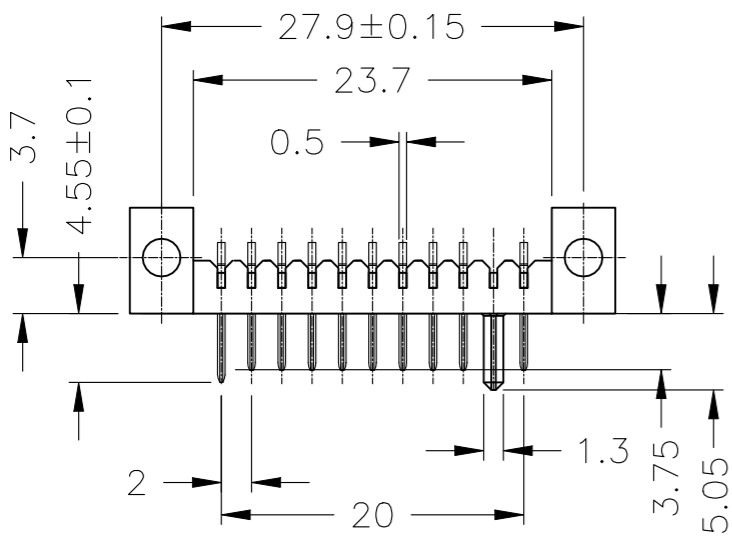


REFERENCE P.C. BOARD LAYOUT
P.C. BOARD THK 0.8?1.2
(VIEW FROM CONNECTOR MOUNTING SIDE)

① MATERIAL HOUSING : 6T NYLON, UL94V-0
COLOR ; BLACK
CONTACT : COPPER ALLOY

② FINISH
CONTACT : Ni 2um MIN. ALL OVER UNDER PL
Au PL. 0.3um MIN. AT CONTACT AREA
Au FLASH PL. 0.05~0.15um AT LEAD AREA

③ FINISH
CONTACT: Ni ALL OVER UNDER PL.
Au 30u" MIN. Ni 50u" MIN AT CONTACT AREA
Au FLASH PL. AT LEAD AREA



①	1827501-2
②	1827501-1
PLATING	PART NUMBER

THIS DRAWING IS A CONTROLLED DOCUMENT.		DWN T.KATANO	21DEC04	STE TE Connectivity	
DIMENSIONS: 単位: 耗 mm		CHK T.KIMURA	05JAN05		
TOLERANCES UNLESS OTHERWISE SPECIFIED: 一般公差		APVD K.IKEGAMI	05JAN05	NAME 名称	
⑥-PLC ± 0.3 ①-PLC ± ②-PLC ± ③-PLC ± ④-PLC ±		PRODUCT SPEC 製品規格 108-5850	PLUG ASSEMBLY 2mm PITCH BATTERY CONNECTOR THROUGH HOLE TYPE		
ANGLES ± 3°		APPLICATION SPEC 取付適用規格	SIZE A3	CAGE CODE 00779	DRAWING NO 番号 C-1827501
MATERIAL 材料	FINISH 仕上	WEIGHT 0.000000	RESTRICTED TO —	SCALE 尺度 2:1	SHEET 1 OF 1
①		CUSTOMER DRAWING		REV A1	