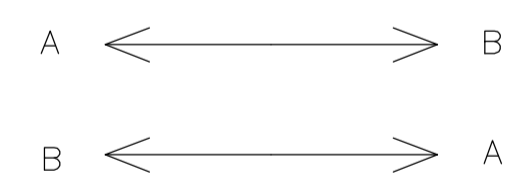
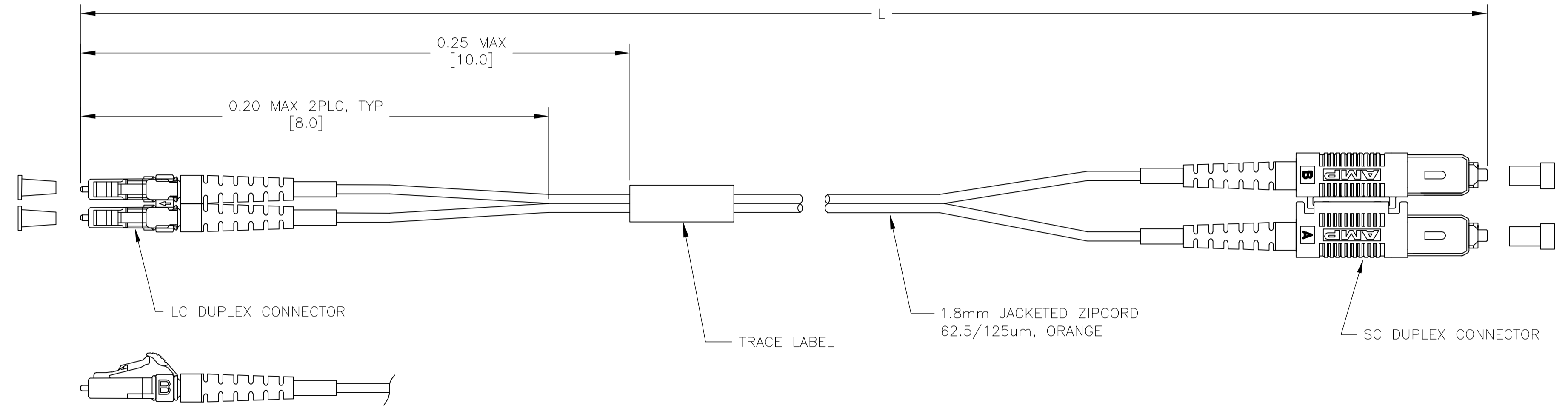


△ MAXIMUM CONNECTOR INSERTION LOSS IS 0.5 dB
 PLUS CABLE ATTENUATION OF 1.5 dB/km
 at 1300nm. (SEE TABLE)



0.53	20.00±0.30 [787.0±12.0]	2-1828870-0
0.50	15±0.15 [590.6±6.0]	1-1828870-5
0.50	10±0.15 [393.7±6.0]	1-1828870-0
0.50	5.00±0.08 [196.9±3.0]	1828870-5
0.50	4.00±0.08 [157.5±3.0]	1828870-4
0.50	3.00±0.05 [122.8±2.0]	1828870-3
0.50	2.00±0.05 [78.7±2.0]	1828870-2
0.50	1.00±0.05 [39.4±2.0]	1828870-1
△ CONNECTOR LOSS (dB)	L	PART NUMBER

THIS DRAWING IS A CONTROLLED DOCUMENT.		DWN KATHY HE 19SEP05	Tyco Electronics Corporation Harrisburg Pa, 17105-3608	
DIMENSIONS: METERS [INCHES]		CHK RECHARD ZHAO 19SEP05	AMP	
TOLERANCES UNLESS OTHERWISE SPECIFIED:		APVD J. DUNCAN 19SEP05	NAME CABLE ASSEMBLY, LC-SECURE/SC,DUPLEX 1.8mm ZIP, 62.5/125um, GREEN	
0 PLC ± - 1 PLC ± - 2 PLC ± - 3 PLC ± - 4 PLC ± - ANGLES ± ± - FINISH		PRODUCT SPEC - APPLICATION SPEC -	SIZE A2	RESTRICTED TO -
MATERIAL -	WEIGHT -	CAGE CODE 00779	DRAWING NO 1828870	
CUSTOMER DRAWING			SCALE NTS	SHEET 1 OF 1