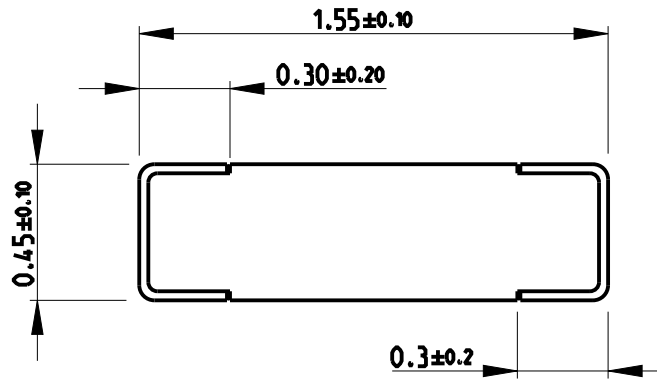
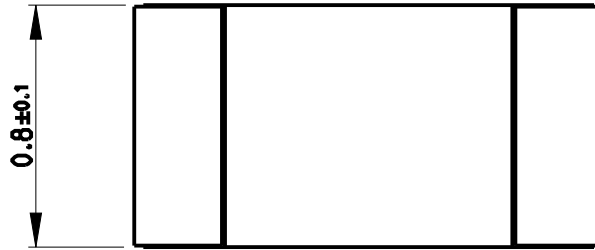


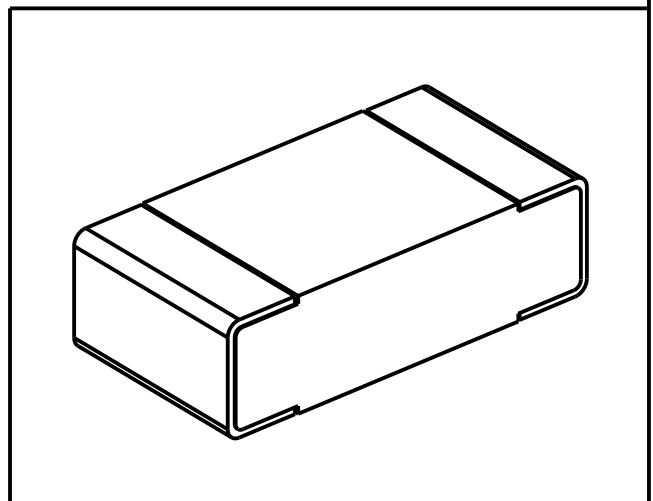
REVISIONS

P	LTR	DESCRIPTION	DATE	DWN	APVD
	BA1	ECR-14-009193	19JUN2014	KR	TN

FOR FURTHER INFORMATION SEE DATA SHEET FOR
CPF SERIES-THIN FILM PRECISION CHIP RESISTORS



RoHS Compliant



2008


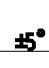
RELEASED FOR PUBLICATION

ALL RIGHTS RESERVED.

BY -

© COPYRIGHT 2008

THIS DRAWING IS UNPUBLISHED.

DIMENSIONS: mm		DWN SUBHASH.M 29-Sep-08	MATERIAL -	FINISH -	
TOLERANCES UNLESS OTHERWISE SPECIFIED:		CHK PRAKASH.S 29-Sep-08	 TE Connectivity		
		APVD STEPHEN.P 29-Sep-08			
0 PLC ±0.2		PRODUCT SPEC -	NAME THIN FILM PRECISION CHIP RESISTORS SERIES CPF 0603		
1 PLC ±0.1		APPLICATION SPEC -	SIZE A 4	CAGE CODE 00779	DRAWING NO C-1879335
2 PLC ±		WEIGHT -	RESTRICTED TO -		
3 PLC ±		Customer Drawing	SCALE 40:1	SHEET 1 OF 1	REV BA1
4 PLC ±					
ANGLES 5°					