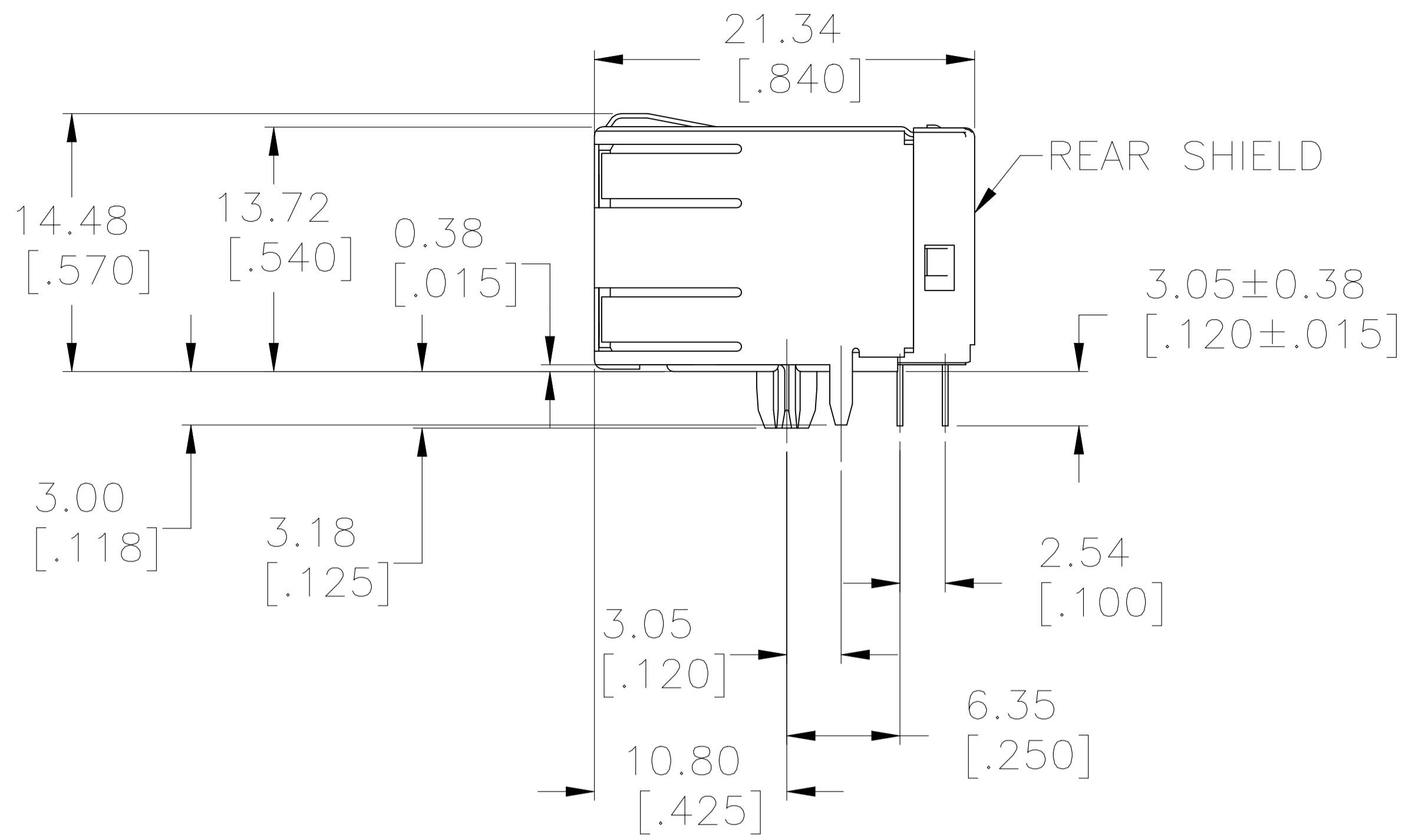
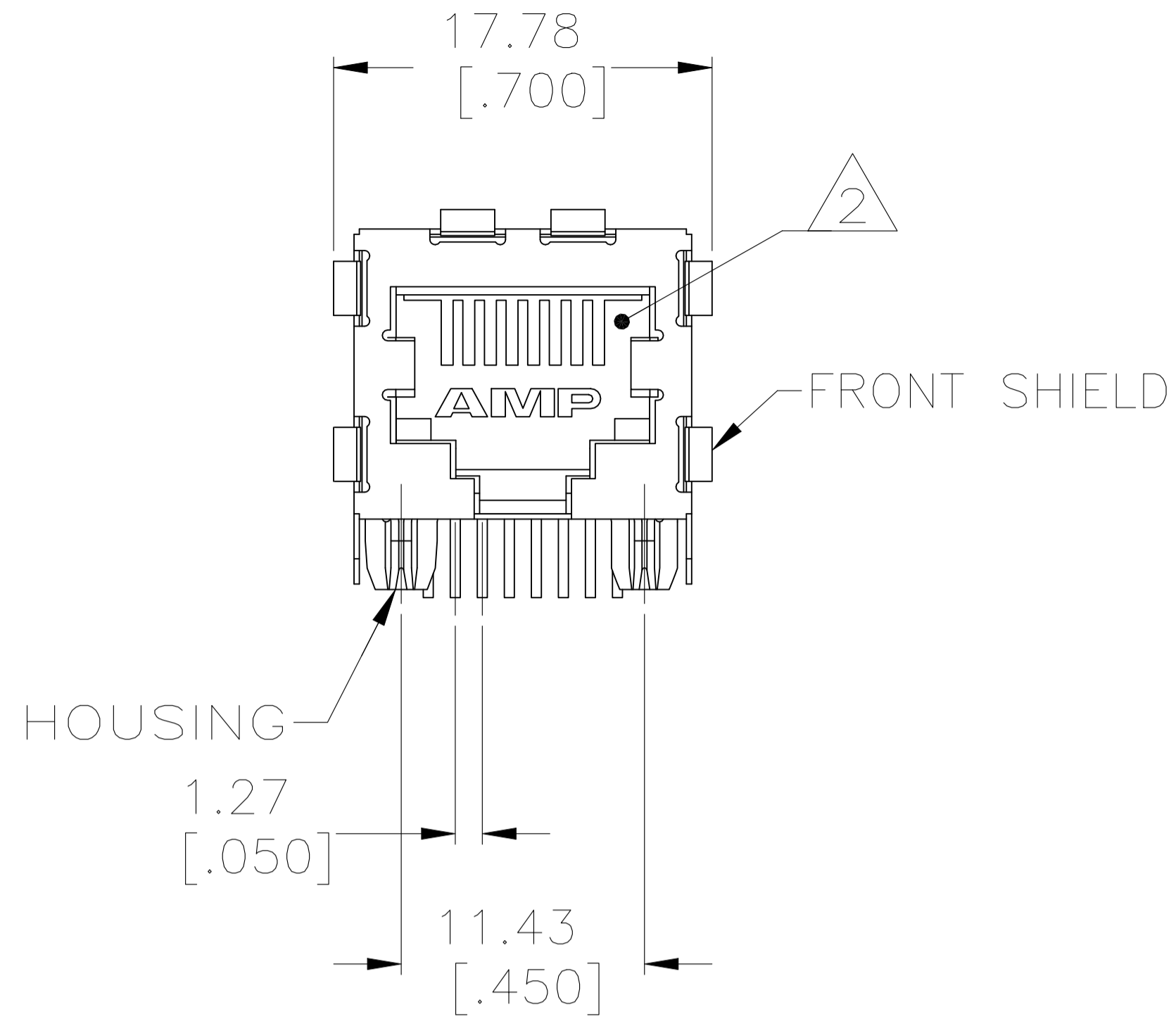
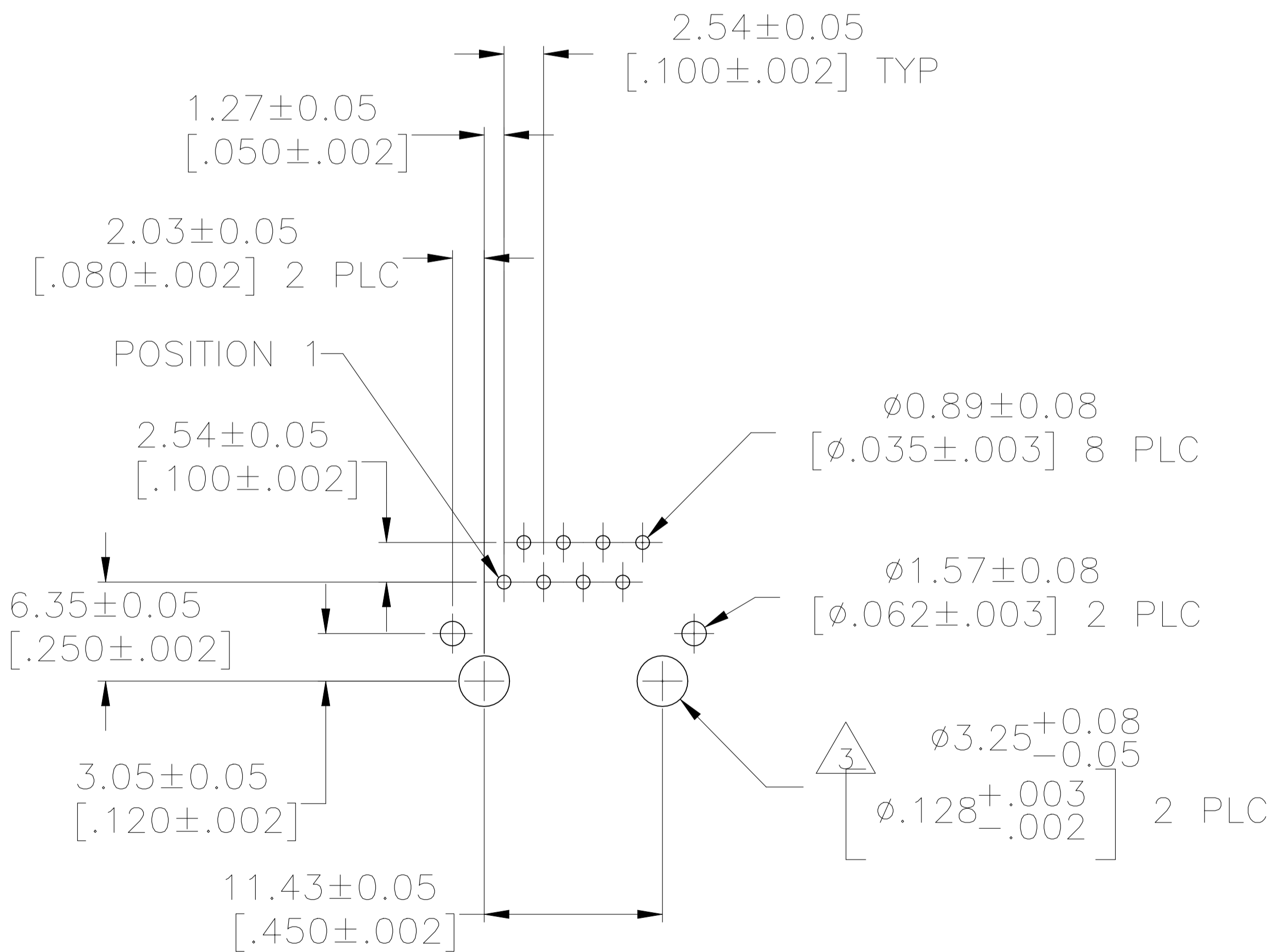


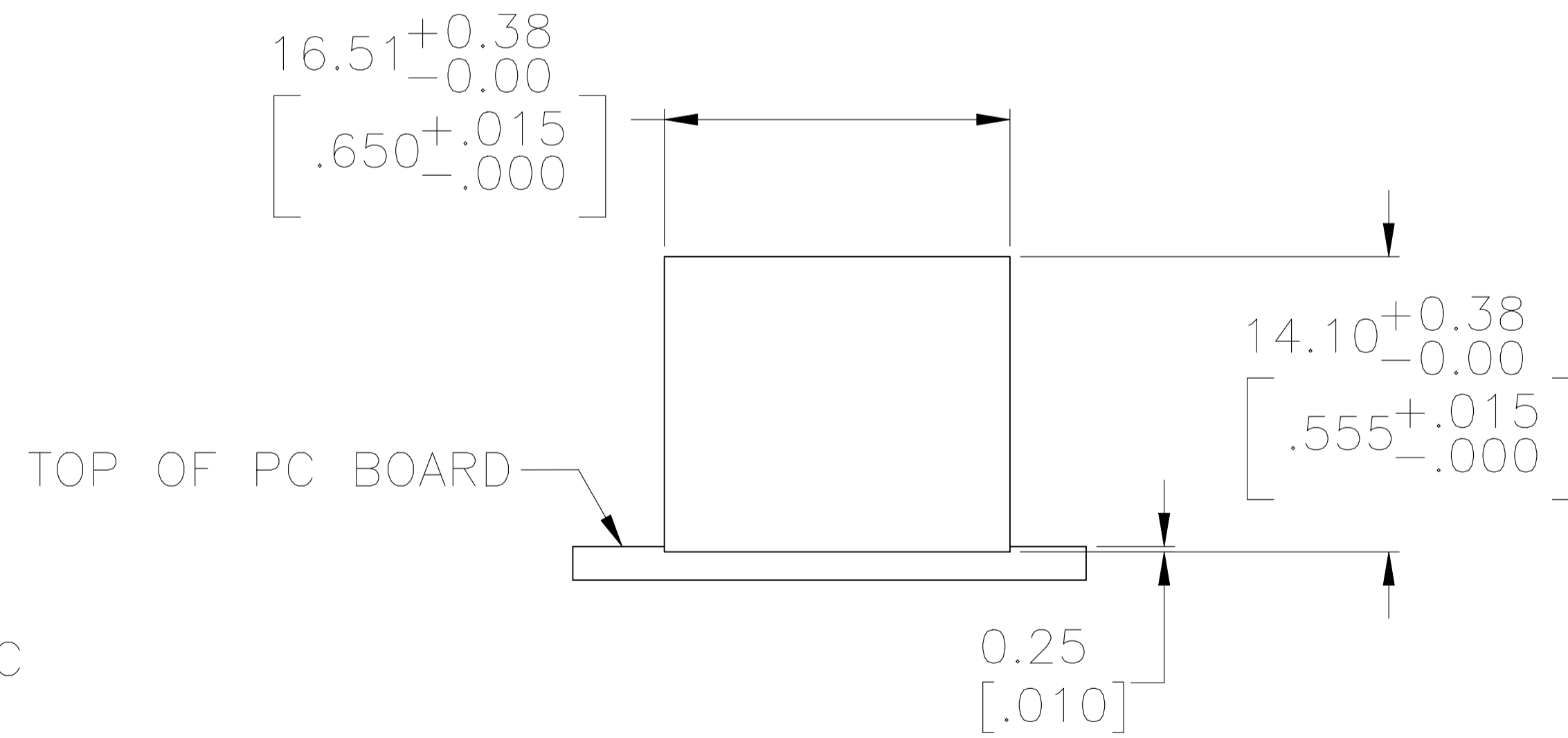
REVISIONS					
REV	DATE	DESCRIPTION	BY	CHK	APP'D
C2	13DEC2020	ECR-19-014657	RR	SZ	



- MATERIAL: HOUSING - NYLON, COLOR: BLACK, UL 94V-0.
OVERMOLDED TERMINAL ARRAY - PBT, COLOR: BROWN.
TERMINALS - 0.33[.013] THICK PHOS BRONZE PLATED WITH 1.27µm[.000050] MINIMUM THICK HARD GOLD IN LOCALIZED AREA AND 3.81µm [.000150] MINIMUM THICK TIN IN SOLDER AREA OVER 1.27µm[.000050] MINIMUM THICK NICKEL UNDERPLATE.
SHIELDS - 0.25[.010] THICK COPPER ALLOY PLATED WITH 1.27µm[.000050] MINIMUM NICKEL AND 2.03µm[.000080] MINIMUM HOT TIN DIP ON PCB GROUND TABS.
- JACK CAVITY CONFORMS TO FCC RULES AND REGULATIONS, PART 68 SUBPART F.
- USE #30 DRILL BIT OR 3.25mm DRILL BIT WHEN PRODUCING THESE PCB HOLES.
- DIELECTRIC WITHSTANDING VOLTAGE BETWEEN SHIELD AND TERMINAL IS 1500 VAC



RECOMMENDED PC BOARD LAYOUT COMPONENT SIDE



RECOMMENDED PC BOARD LAYOUT COMPONENT SIDE

1888068-1
PART NUMBER

THIS DRAWING IS A CONTROLLED DOCUMENT.		DWG: R.GRZYBOWSKI 27JUL05	TE Connectivity	
DIMENSIONS: mm [INCHES]		CHK: J.WESTMAN 27JUL05	APVD: J.WESTMAN 27JUL05	
TOLERANCES UNLESS OTHERWISE SPECIFIED:		NAME: MODULAR JACK ASY, SINGLE PORT, 8 P, SHIELDED, REVERSE PANEL GROUND TABS, CAT 5e		
0 PLC ± -	1 PLC ± -	PRODUCT SPEC: 108-1163-2		
2 PLC ± 0.25[.01]	3 PLC ± 0.13[.005]	APPLICATION SPEC: 114-2048		
4 PLC ± -	ANGLES ± -	SIZE: A1	CAGE CODE: 00779	DRAWING NO: 1888068
MATERIAL: SEE NOTE 1	FINISH: SEE NOTE 1	WEIGHT: 0.000000	SCALE: 4:1	SHEET 1 of 1
CUSTOMER DRAWING		REV: C2		