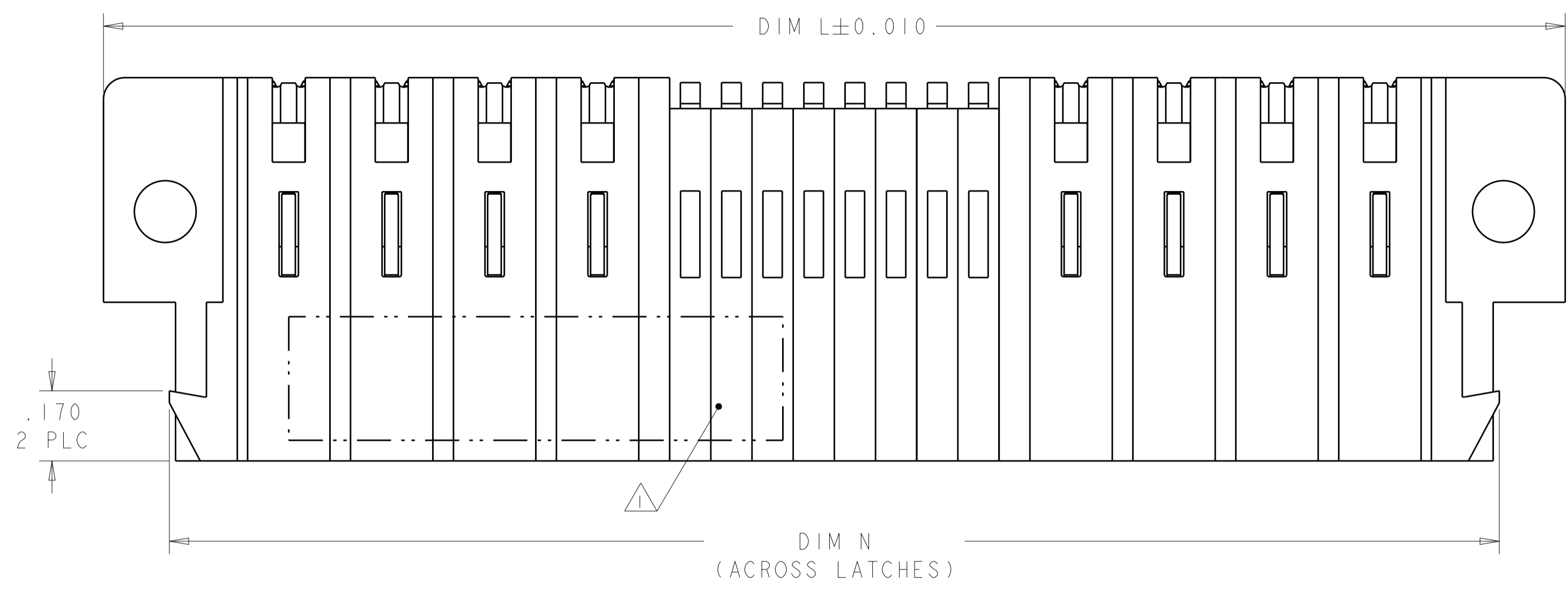
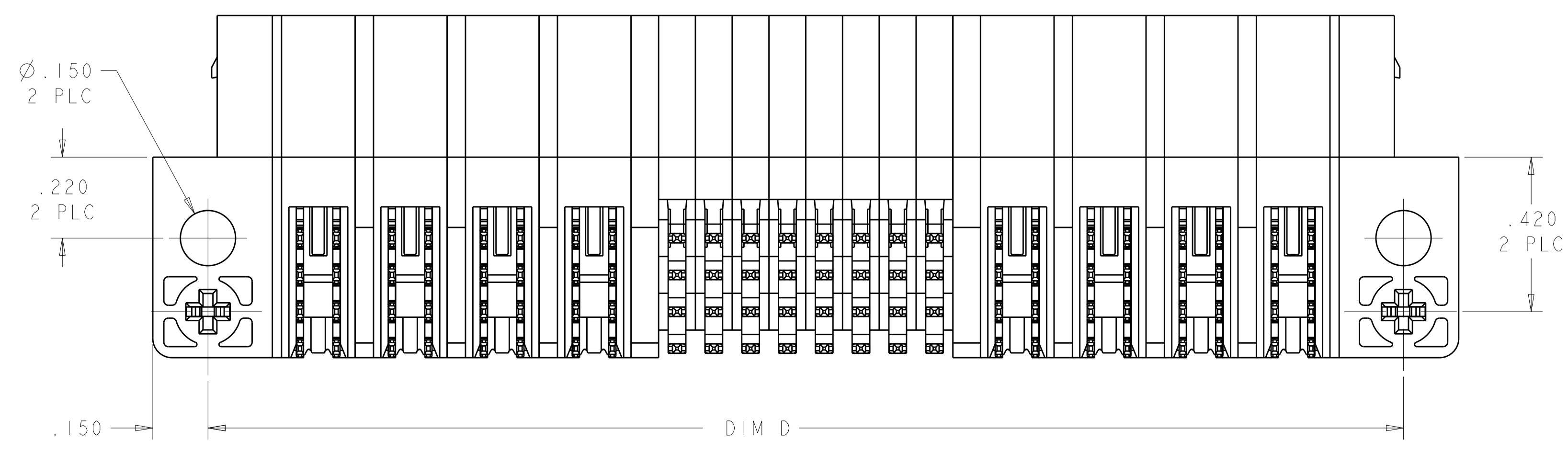
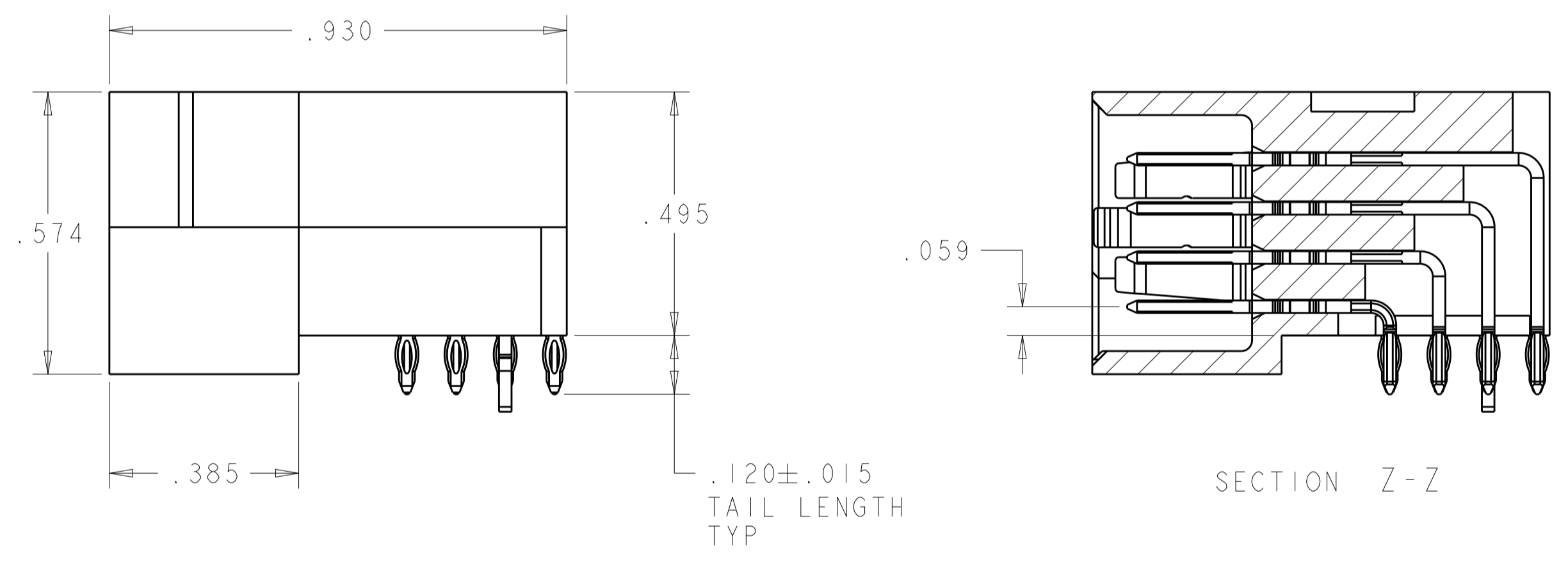
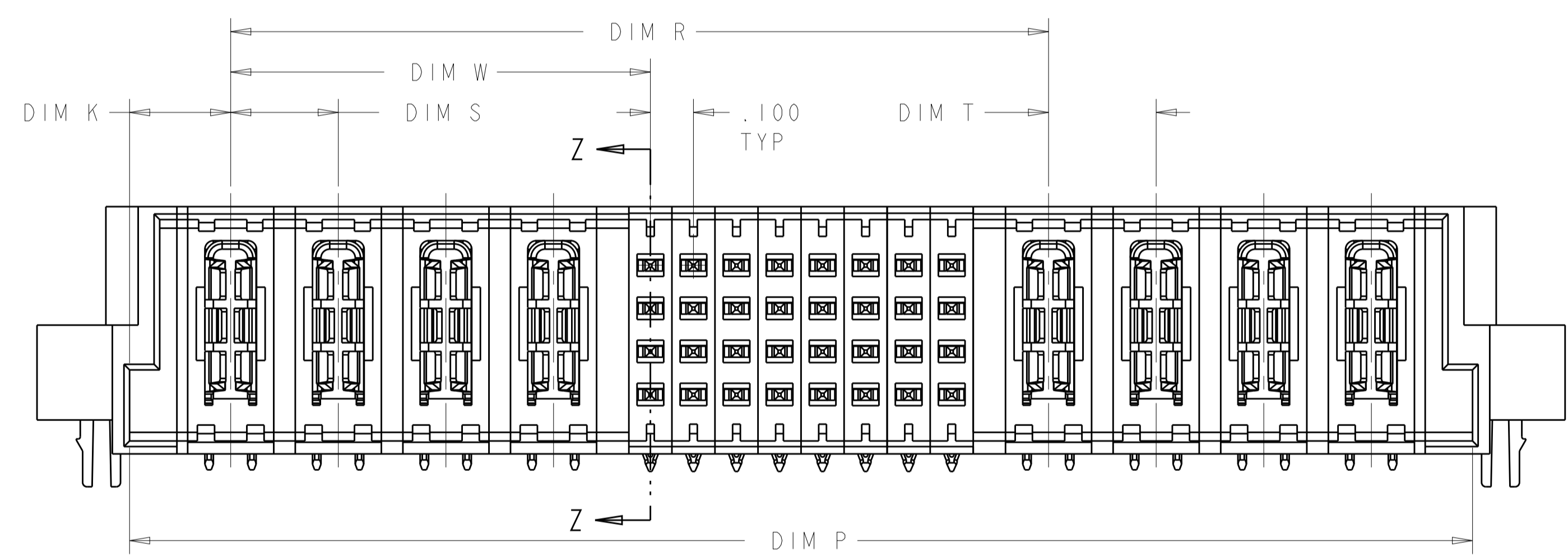


LOC	DIST	REVISIONS					
		P.	LTN	DESCRIPTION	DATE	DWN	APVD
ES	00	A1		REVISED PER ECR-06-027334	28NOV2006	A. S.	S. Y.
		B		REV PER ECR-08-006613	14MAR2008	CZ	SY
		B1		ADDED THE DASH NO. -3	17JUN2011	ML	SZ
		B2		REV PER ECR-13-004638	20MAR2013	ML	SZ



- 1 "AMP" PART NUMBER AND DATE CODE TO BE MARKED IN AREA SHOWN. PARTS UNDER 2.00 INCHES LONG MAY BE MARKED ON BOTH SIDES.
- 2 MATERIAL: HOUSING - GLASS FILLED HIGH TEMP THERMO PLASTIC, UL 94 V-0
SIGNAL CONTACT - COPPER ALLOY
POWER CONTACT - HIGH CONDUCTIVITY COPPER ALLOY.
- 3 CONTACT PLATING: NOBLE METAL PLATING ON CONTACT FUNCTIONAL AREA OF POWER AND SIGNAL CONTACTS
- 4 MECHANICAL CONNECTOR KEEP OUT ZONE. WHEN PLACING CONNECTORS END-TO-END, ALLOW ADDITIONAL 0.1 CLEARANCE BETWEEN CONNECTORS FOR LATCH ACTIVATION.
- 5 DATUM AND BASIC DIMENSIONS ESTABLISHED BY CUSTOMER.
- 6 PCB - ALL HOLE DIAMETERS ARE FINISHED HOLE SIZES.
- 7 PCB - .0453 ± .0010 DRILLED HOLES PLATED WITH .0003 MIN Sn OVER .001 TO .003 Cu PLATING TO ACHIEVE A .040 DIA HOLE.
- 8 NOT RELEASED FOR PRODUCTION
- 9 FOR CONFIGURATION WITH VENT, PLEASE REFER TO SHEET 2.



(B1)	2.750	-	.300	2.620	2.730	-	2.050	3.050	.260	7ACP + 8S + 0P	1892138-3
	3.500	.300	.300	3.370	3.480	1.900	1.150	3.800	.285	4ACP + 24S + 4ACP	1892138-2
	3.250	.250	.250	3.120	3.230	1.900	.975	3.550	.235	4P + 32S + 4P	1892138-1
	DIM D	DIM T	DIM S	DIM P	DIM N	DIM R	DIM W	DIM L	DIM K	DESCRIPTION	PART NUMBER

THIS DRAWING IS A CONTROLLED DOCUMENT. DWN: ALEX SHOAL 03NOV2006
CHK: S. ZHAO 03NOV2006

DIMENSIONS: INCHES. TOLERANCES UNLESS OTHERWISE SPECIFIED:
 0 PLC ±.
 1 PLC ±.01
 2 PLC ±.01
 3 PLC ±.005
 4 PLC ±.0020
 ANGLES ±.7°

MATERIAL: FINISH: 2 3

THIS DRAWING IS A CONTROLLED DOCUMENT. DWN: ALEX SHOAL 03NOV2006
CHK: S. ZHAO 03NOV2006

APVD: S. ZHAO

NAME: RIGHT ANGLE HEADER ASSEMBLY W/ END LATCHES MULTI-BEAM XLE

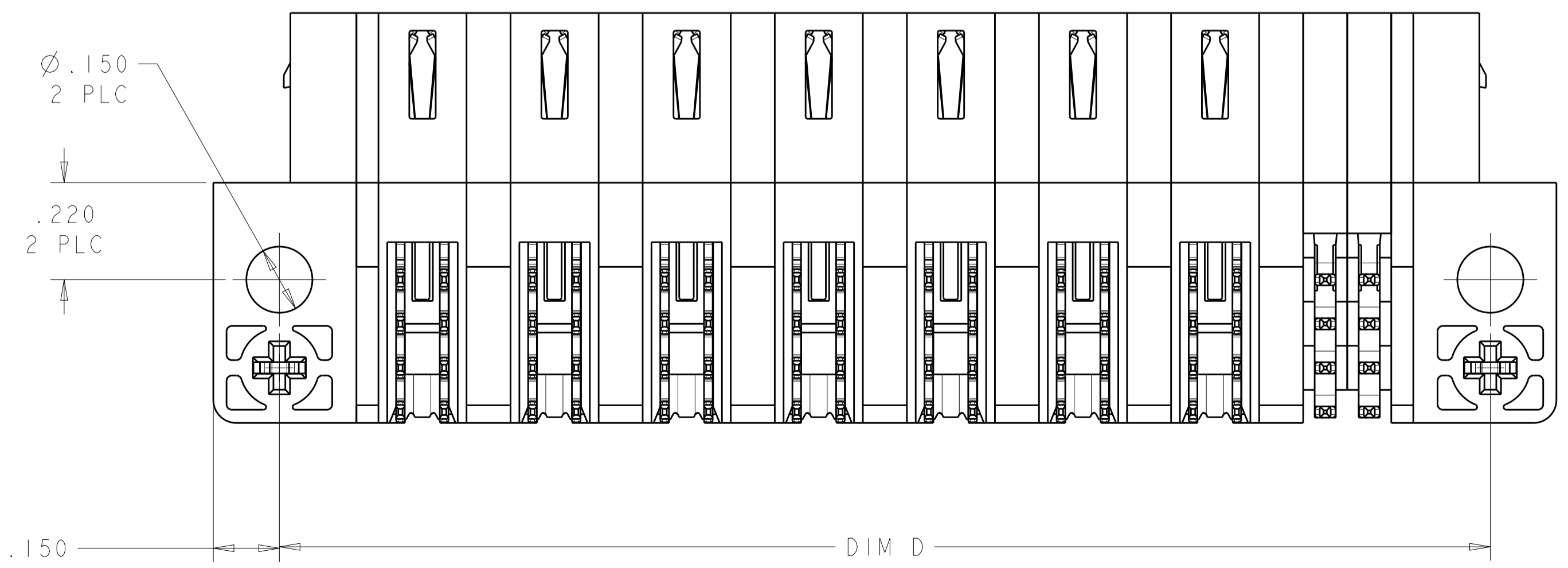
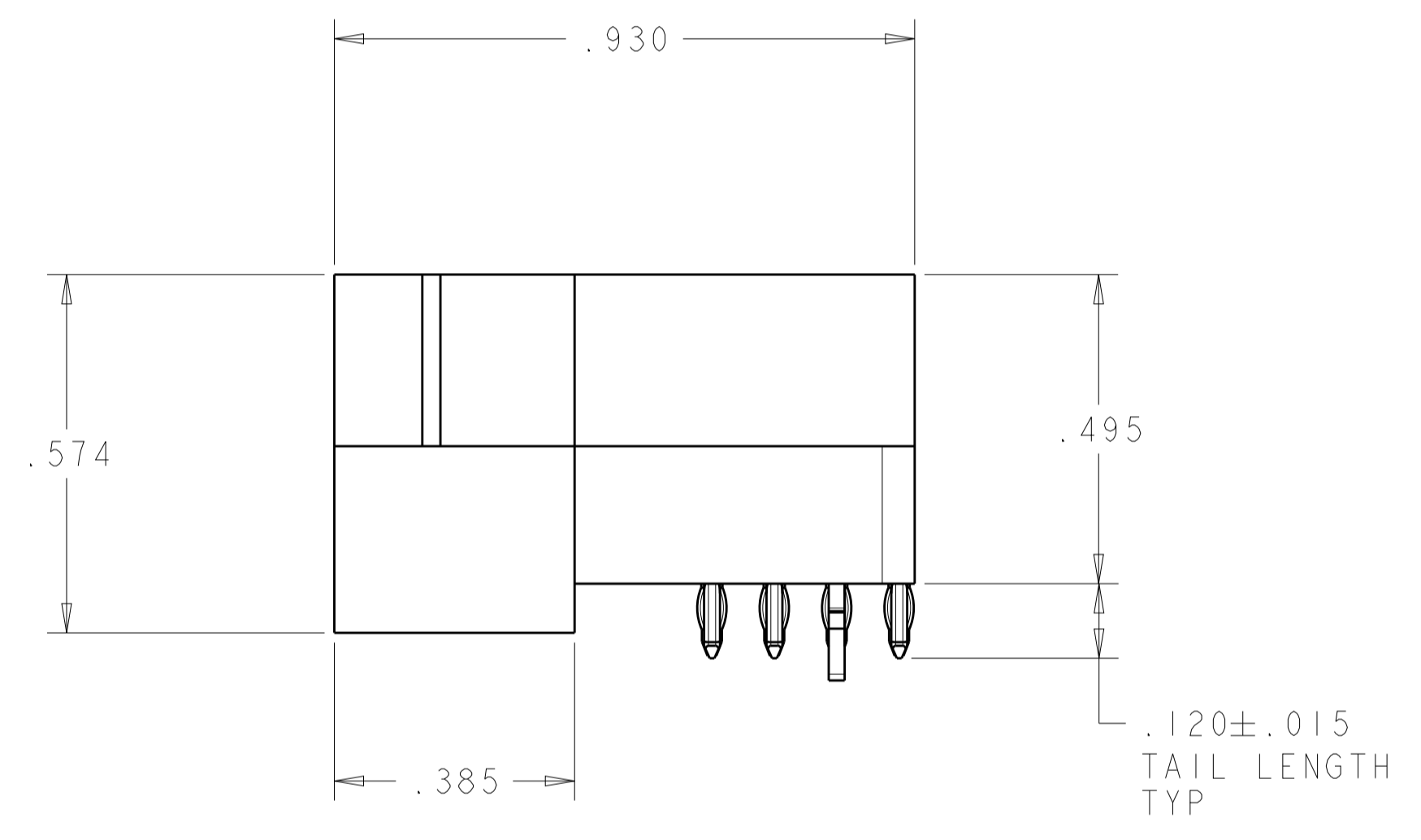
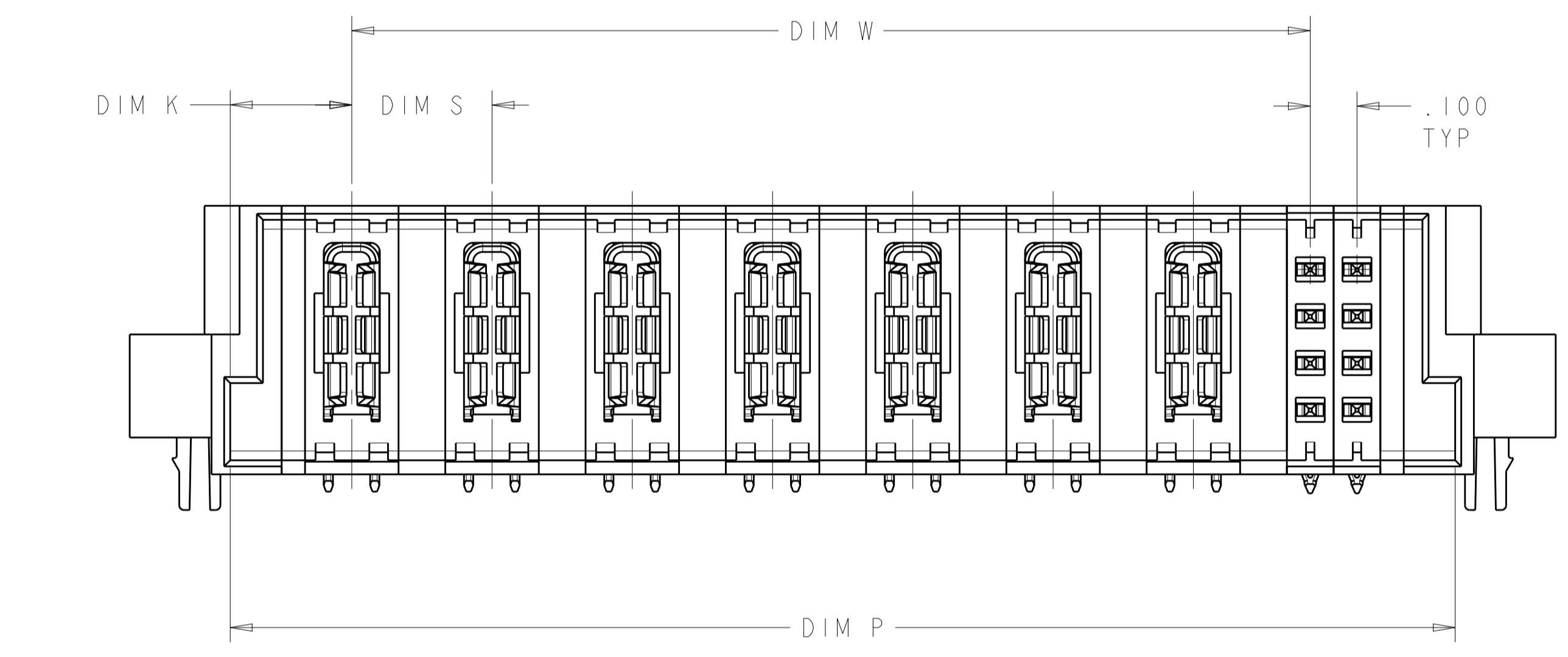
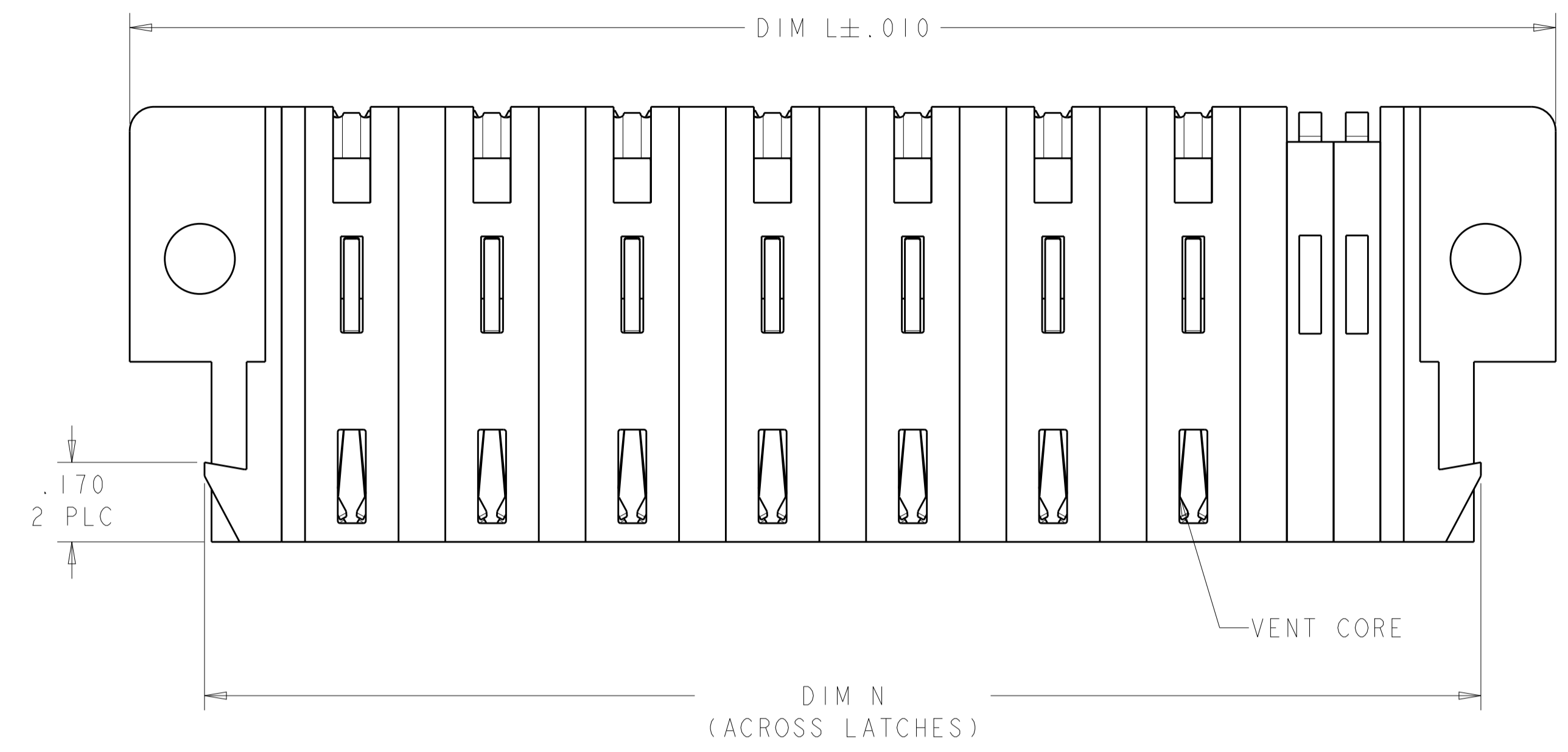
PRODUCT SPEC: 108-2292
APPLICATION SPEC: 114-13251

WEIGHT: -
CUSTOMER DRAWING

SCALE: 4:1 SHEET 1 OF 4 REV: B2

LOC		DIST		REVISIONS			
ES	00	P	LTH	DESCRIPTION	DATE	DMN	APVD
		-		SEE SHEET 1	-	-	-

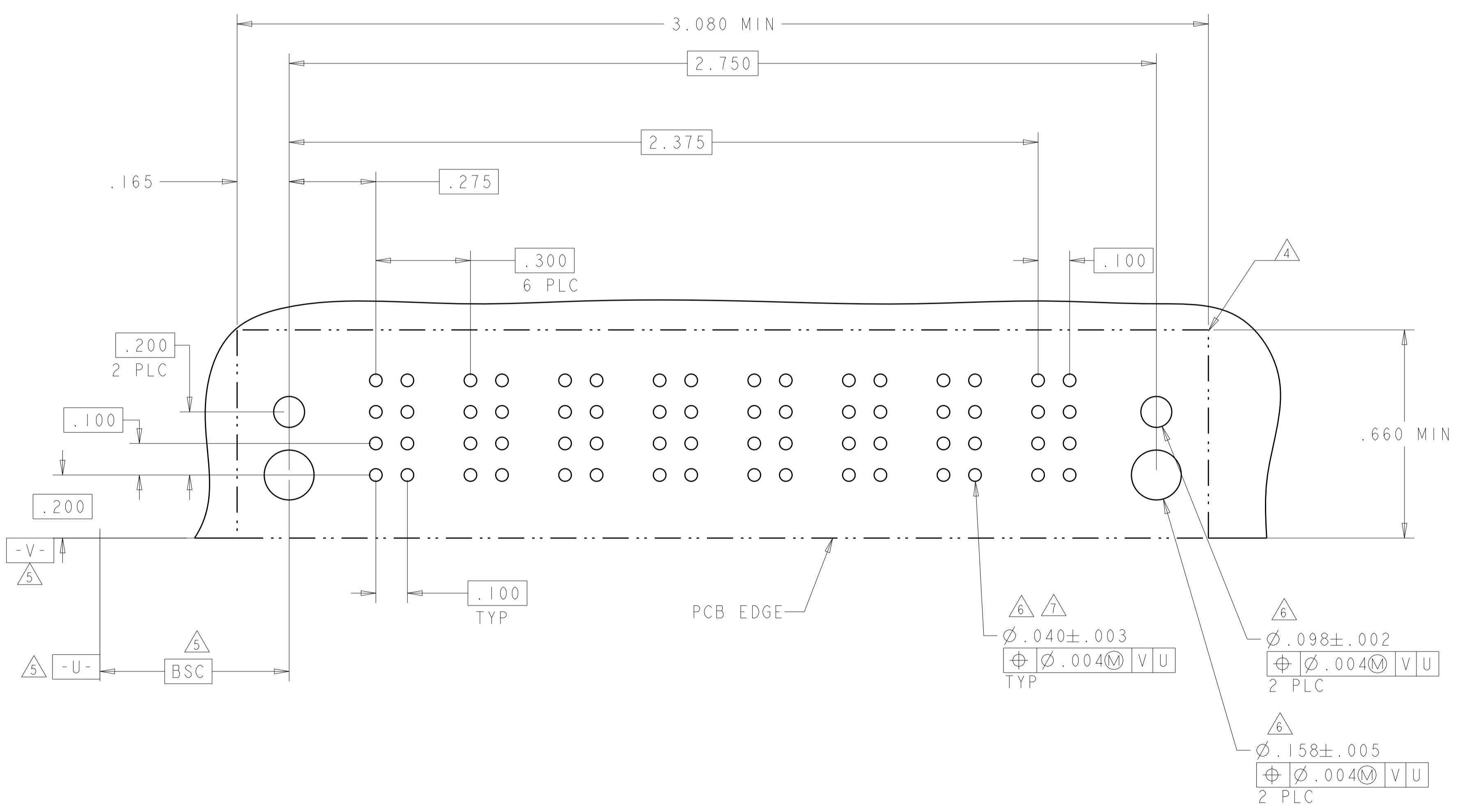
9 PART NO.: 1892138-3



THIS DRAWING IS A CONTROLLED DOCUMENT.		DMN ALEX SHOAL 03NOV2006	TE Connectivity
DIMENSIONS: INCHES		CHK S. ZHAO 03NOV2006	
DIMENSIONS: INCHES 0 PLC ±. 1 PLC ±.01 2 PLC ±.01 3 PLC ±.005 4 PLC ±.0020 ANGLES ±.2°		TOLERANCES UNLESS OTHERWISE SPECIFIED:	NAME: RIGHT ANGLE HEADER ASSEMBLY W/ END LATCHES MULTI-BEAM XLE PRODUCT SPEC: 108-2292 APPLICATION SPEC: 114-13251 WEIGHT: -
MATERIAL: -		FINISH: -	SIZE: A1 CAGE CODE: 100779 DRAWING NO: 1892138 CUSTOMER DRAWING
4805 (3/11)		SCALE: 4:1	SHEET 2 OF 4 REV B2

LOC	DIST	REVISIONS					
		P	LTN	DESCRIPTION	DATE	DWN	APVD
ES	00	-	-	SEE SHEET 1	-	-	-

PART NUMBER	ROWS	POWER							SIGNAL	
		P1	P2	P3	P4	P5	P6	P7	1	2
1892138-3	D	TT	TT	TT	TT	TT	TT	TT	Z5	Z5
	C								Y5	Y5
	B								R5	R5
	A								O5	O5
7ACP + 8S		HD								HD



THIS DRAWING IS A CONTROLLED DOCUMENT.		DWN: ALEX SHOAL 03NOV2006	 TE Connectivity
DIMENSIONS: INCHES		CHK: S. ZHAO 03NOV2006	
TOLERANCES UNLESS OTHERWISE SPECIFIED: 0 PLC ±. 1 PLC ±.01 2 PLC ±.01 3 PLC ±.005 4 PLC ±.0020 ANGLES ±2°		APVD: S. ZHAO	NAME: RIGHT ANGLE HEADER ASSEMBLY W/ END LATCHES MULTI-BEAM XLE
MATERIAL: -		FINISH: -	PRODUCT SPEC: 108-2292
SCALE: 4:1		WEIGHT: -	APPLICATION SPEC: 114-13251
SHEET 4 OF 4		CAGE CODE: A100779	DRAWING NO: C=1892138
REV B2		CUSTOMER DRAWING	