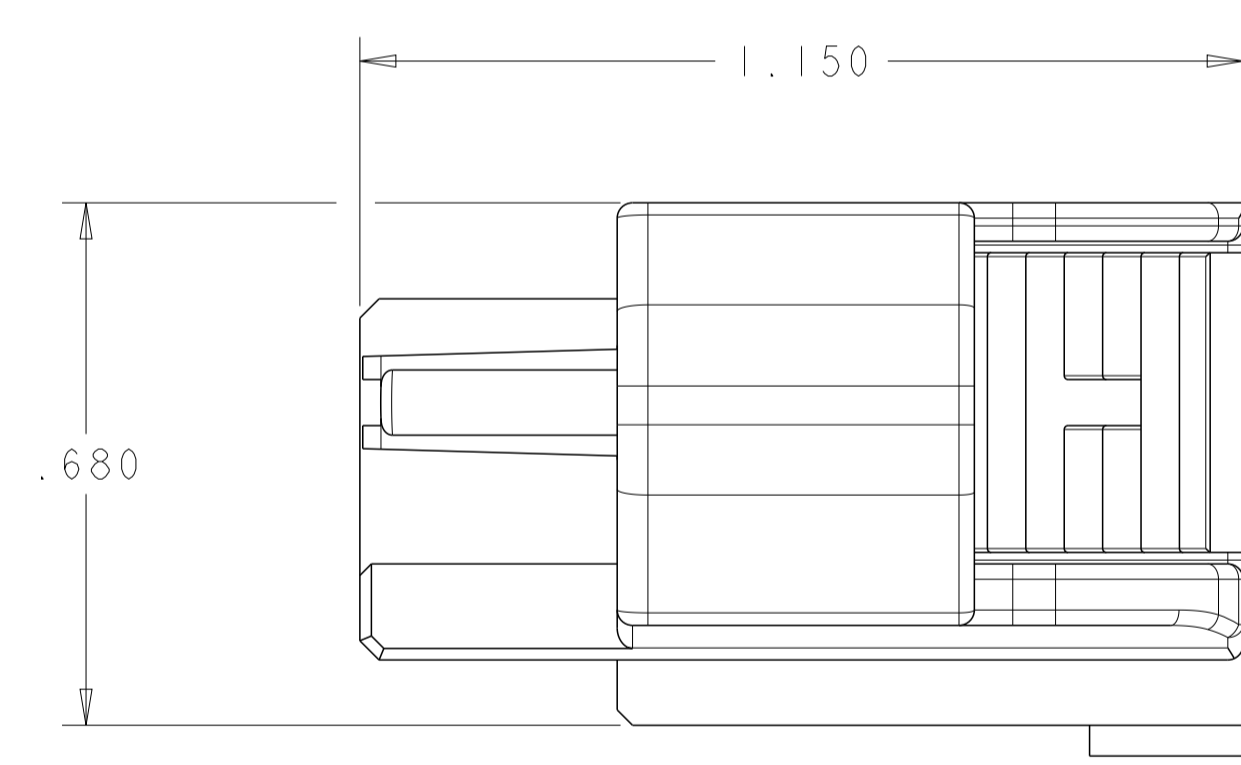
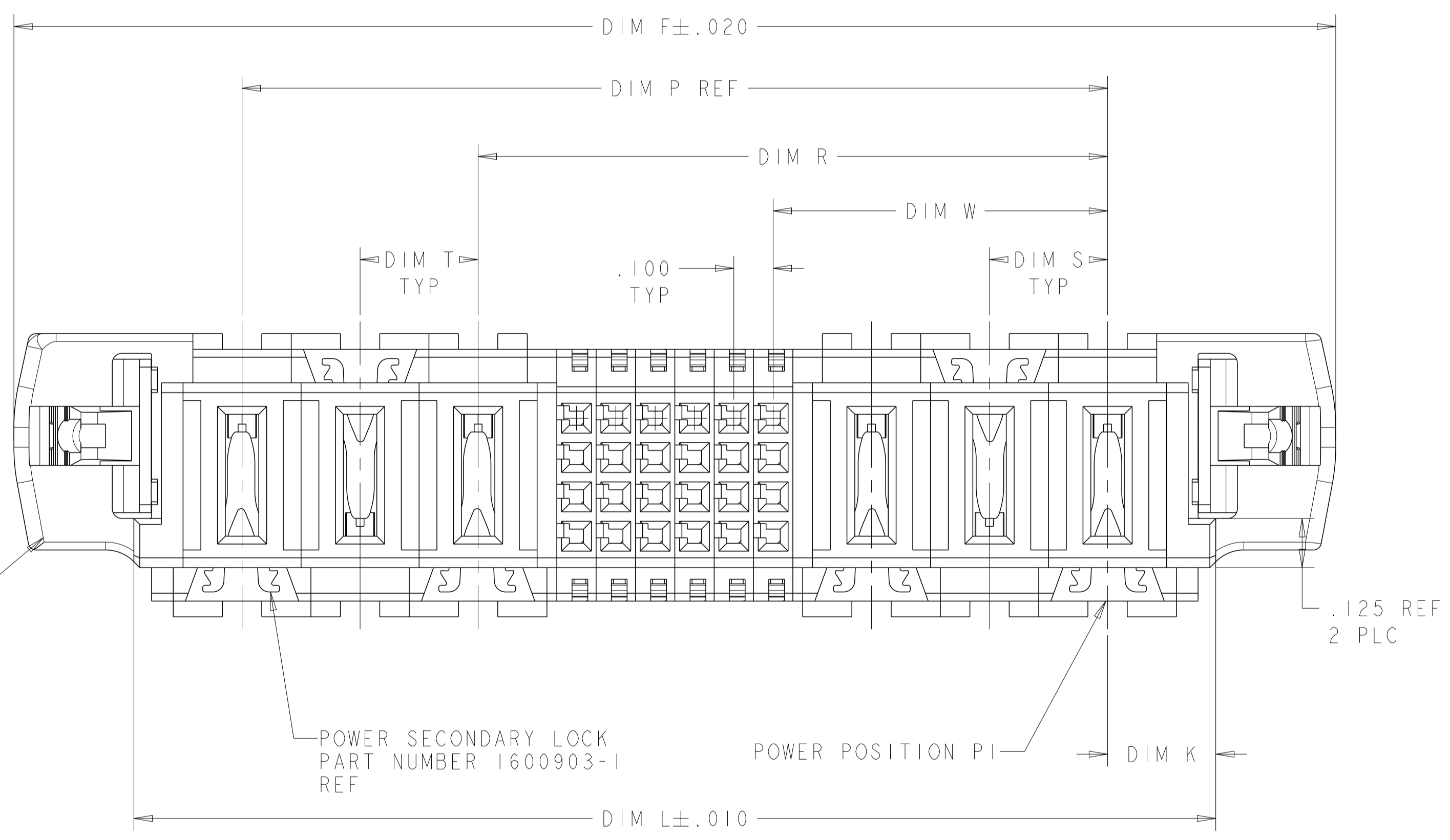
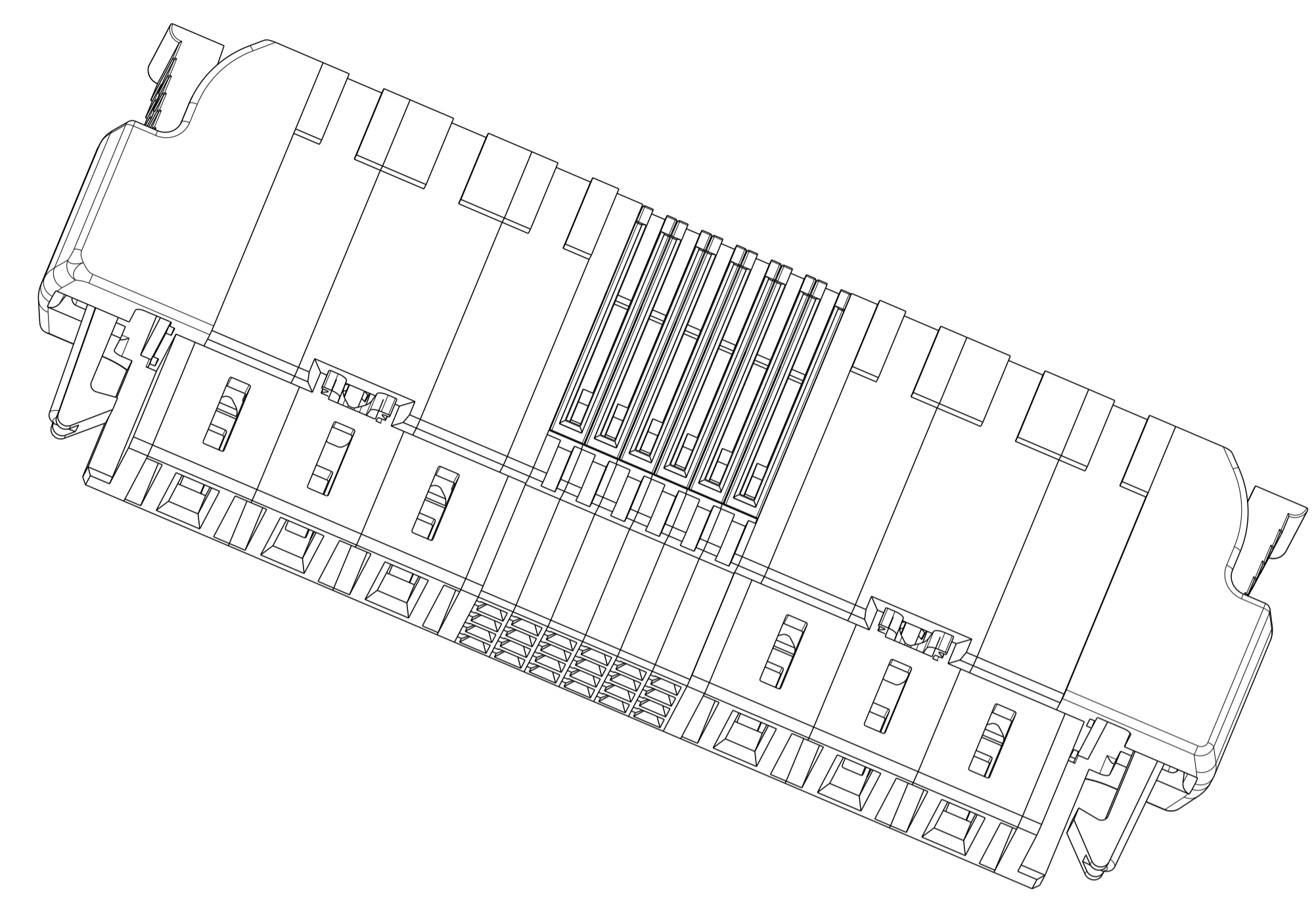
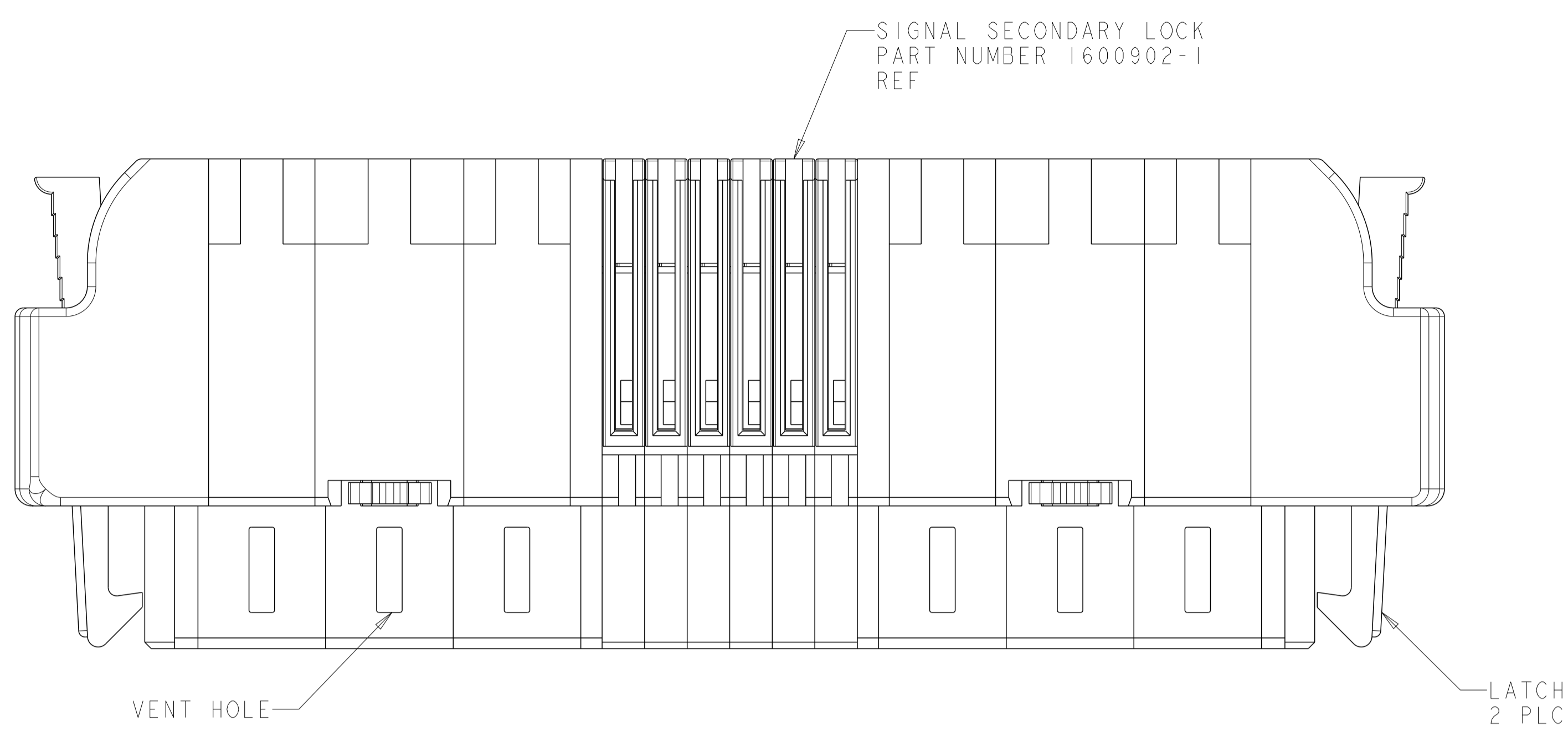


LOC	DIST	REVISIONS			
P	LTH	DESCRIPTION	DATE	DWN	APVD
J4		ADDED NEW DASH NUMBER 9-6	17AUG2022	CZ	SH
J5		ADDED NEW DASH NUMBER 9-7, 9-8, 9-9	01DEC2022	DP	SH



- ⚠ DIM S IS CENTERLINE SPACING OF POWER MODULE ON RIGHT SIDE OF HOUSING.
- ⚠ DIM T IS CENTERLINE SPACING OF POWER MODULE ON LEFT SIDE OF HOUSING.
- ⚠ OPTIONAL CENTER MODULE
- ⚠ COMPANY TRADEMARK, PART NUMBER, AND DATE CODE TO BE MARKED IN APPROX AREA SHOWN. PARTS UNDER 2.00 LONG MAY BE MARKED ON BOTH SIDES.
- ⚠ THERMO PLASTIC, UL94 V-0, BLACK
- ⚠ VARIABLE DIMENSIONS SHOWN ON PART VIEW .
- ⚠ NOT RELEASED FOR PRODUCTION.
- ⚠ DIMENSIONS FOR CONFIGURATION "S" PLEASE REFER TO SHEET 2.
- ⚠ DIMENSIONS FOR CONFIGURATION "P" PLEASE REFER TO SHEET 2.
- ⚠ DIMENSIONS FOR CONFIGURATION "LP/S/LP" PLEASE REFER TO SHEET 2.
- ⚠ DIMENSIONS FOR CONFIGURATION "S/P" PLEASE REFER TO SHEET 2.
- ⚠ DIMENSIONS FOR CONFIGURATION "LP" PLEASE REFER TO SHEET 2.

THIS DRAWING IS A CONTROLLED DOCUMENT.

DWN: C. ZHOU 14MAY2012
CHK: S. ZHAO
APVD: -

NAME: SQUEEZE TO RELEASE CABLE RECEPTACLE ASSEMBLY W/ LATCHES AND KEY, MULTI-BEAM XLE

PRODUCT SPEC: 108-2157
APPLICATION SPEC: 114-13112

SIZE: A1
CAGE CODE: 100779
DRAWING NO: 1892820

RESTRICTED TO: -

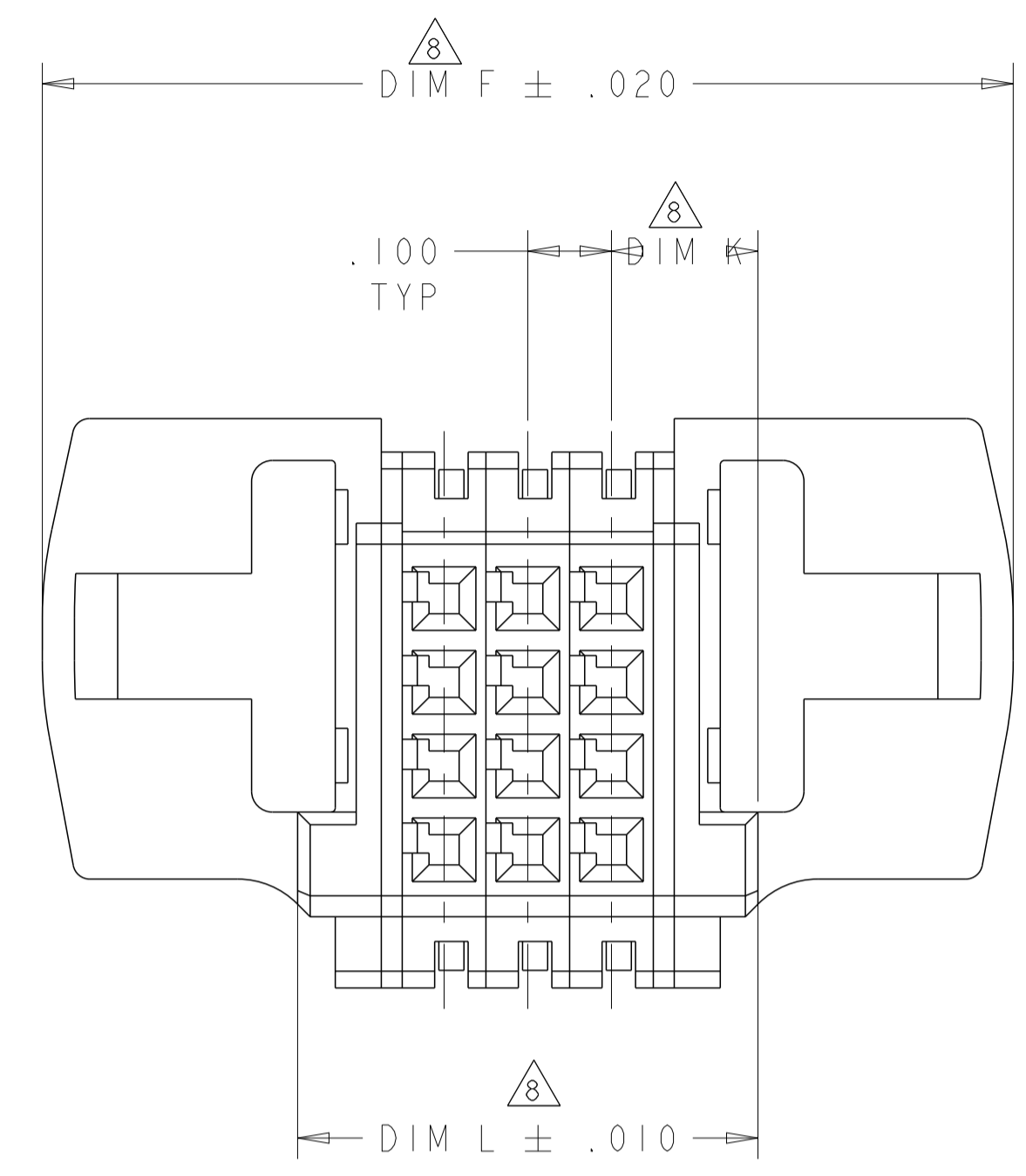
MATERIAL: -
FINISH: -

WEIGHT: -

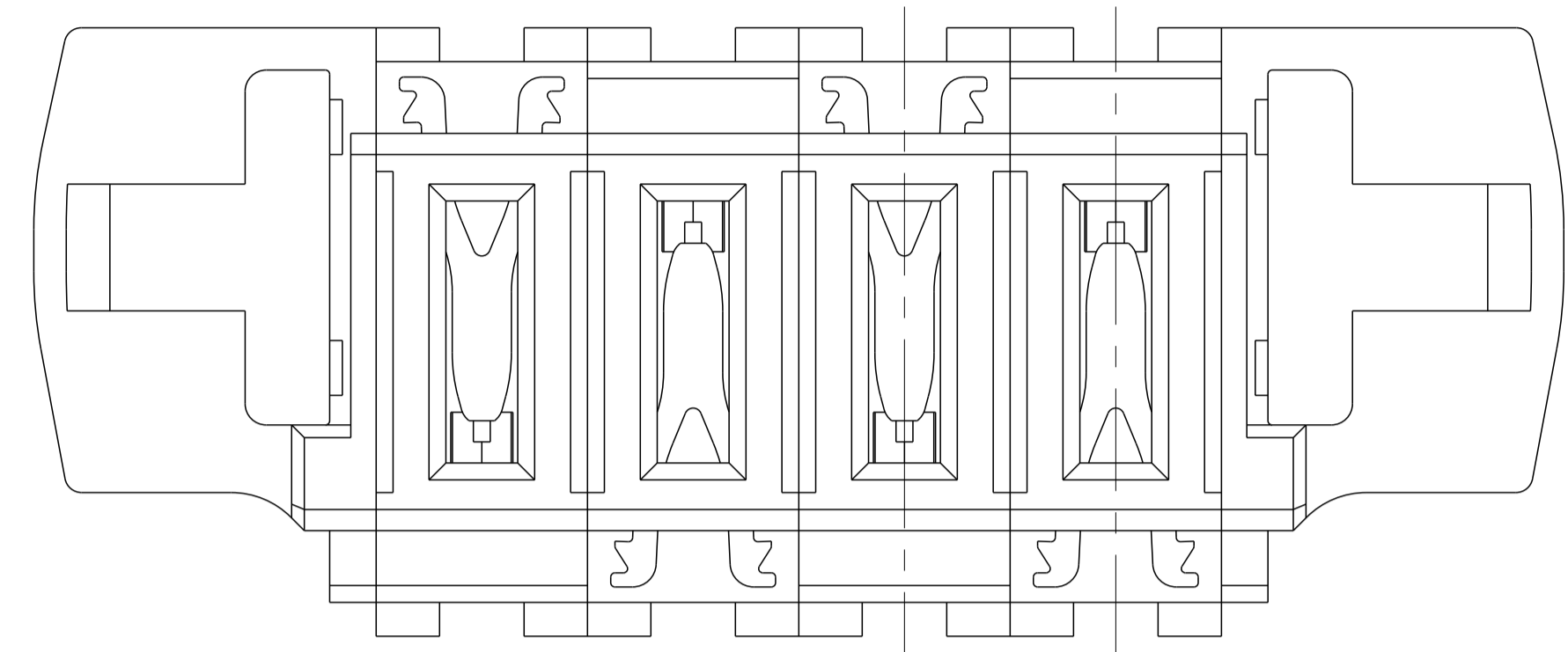
CUSTOMER DRAWING

SCALE: 1:1
SHEET: 1 OF 13
REV: J5

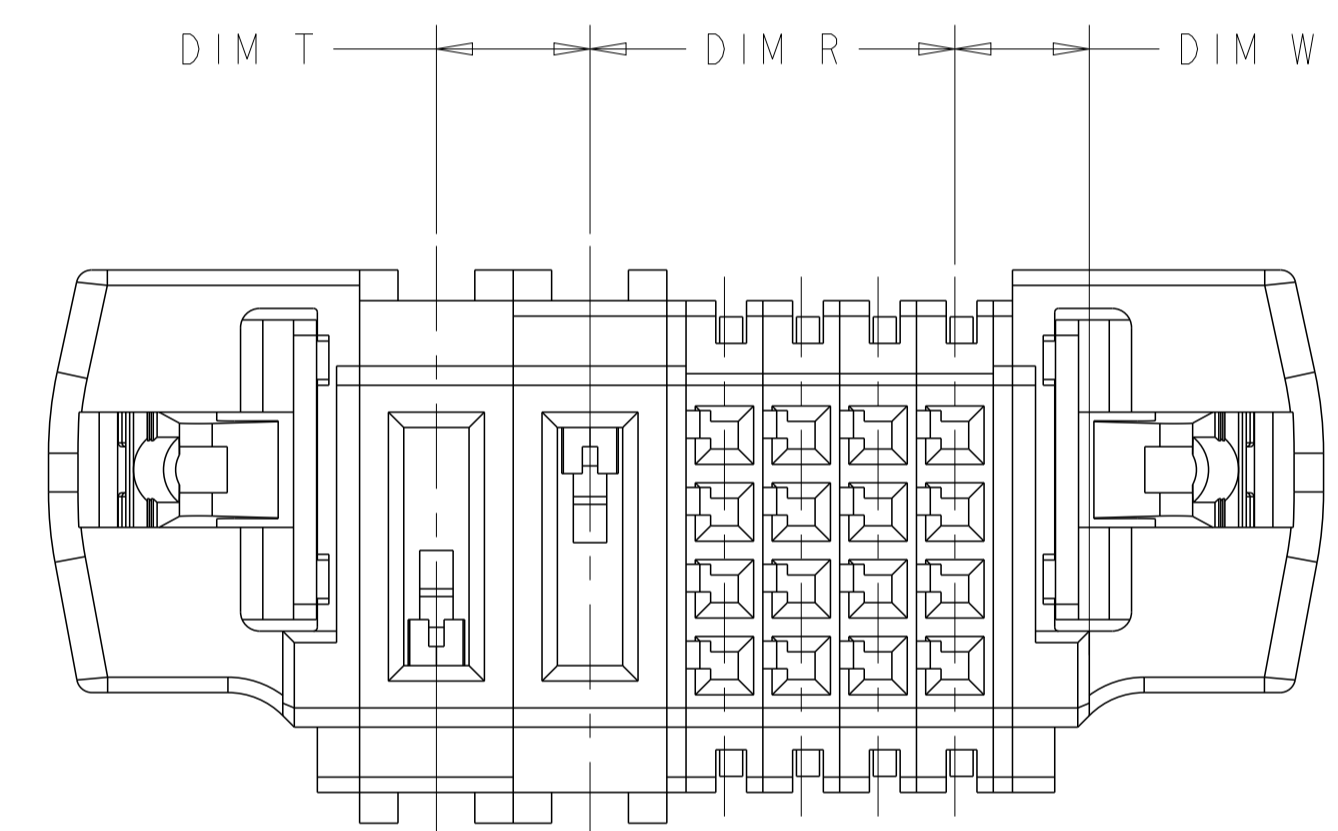
LOC		DIST		REVISIONS			
P	LTN	DESCRIPTION	DATE	DMN	APVD		
-	-	SEE SHEET 1	-	-	-		



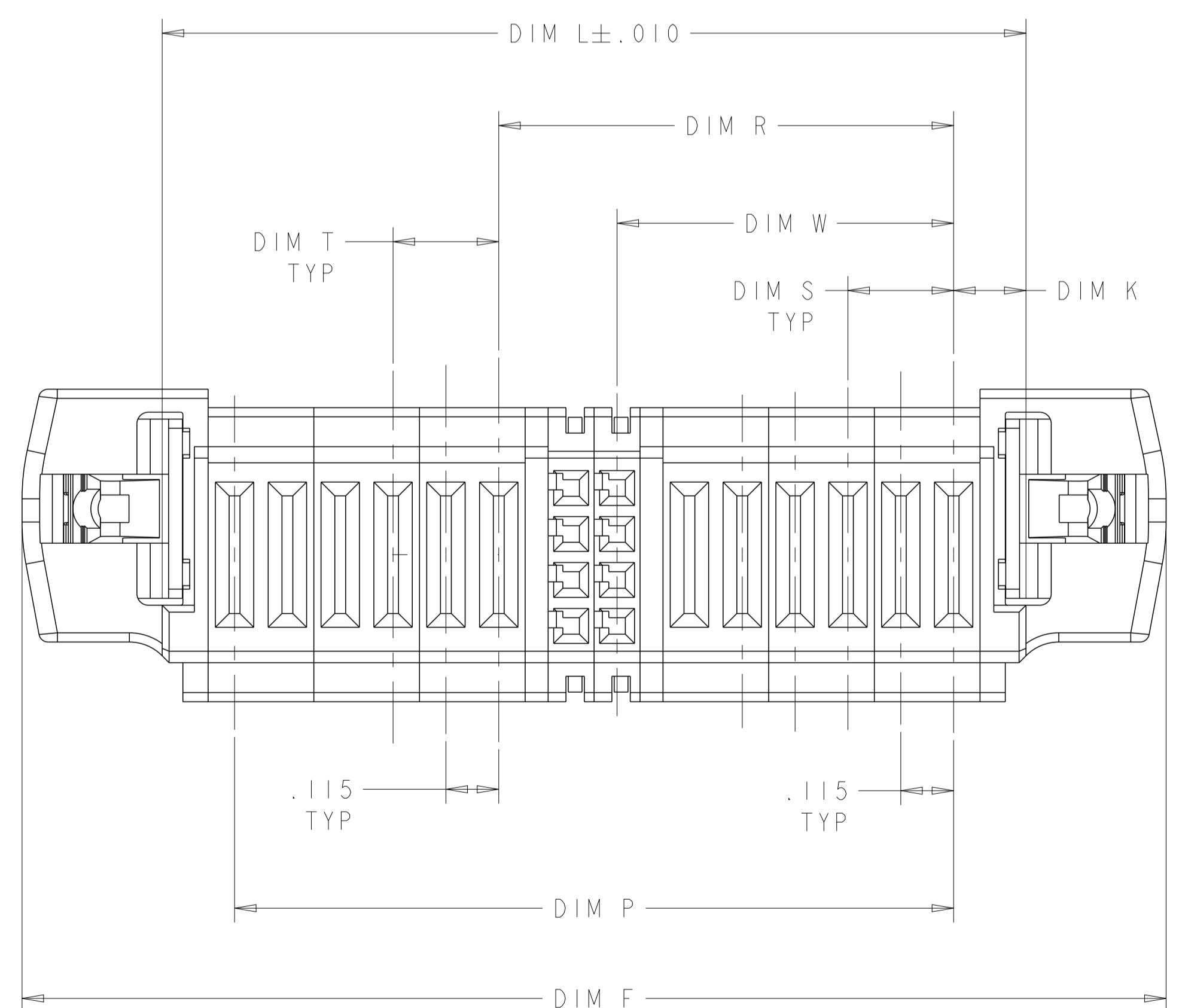
FOR CONFIGURATION "S"



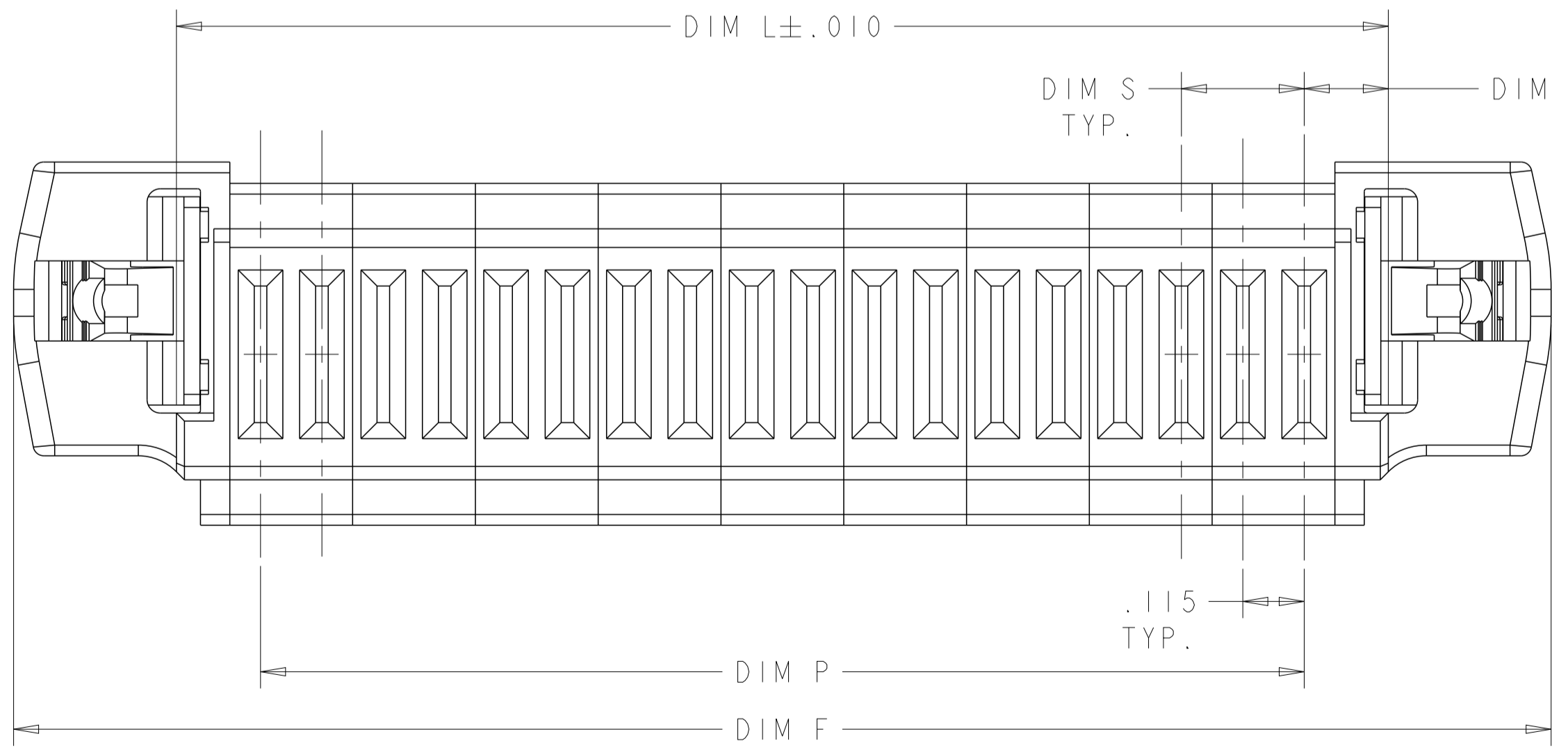
FOR CONFIGURATION "P"



FOR CONFIGURATION "S/P", OTHER DIMENSIONS PLEASE SEE SHEET 1



FOR CONFIGURATION "LP/S/LP"



FOR CONFIGURATION "LP"

THIS DRAWING IS A CONTROLLED DOCUMENT.

DMN: C. ZHOU	TAMAY2012		TE Connectivity
CHK: S. ZHAO			NAME: SQUEEZE TO RELEASE CABLE RECEPTACLE ASSEMBLY W/ LATCHES AND KEY, MULTI-BEAM XLE
DIMENSIONS: INCHES		PRODUCT SPEC: 108-2157	RESTRICTED TO: -
TOLERANCES UNLESS OTHERWISE SPECIFIED:		APPLICATION SPEC: 114-13112	SIZE: A1
0 PLC ±	1 PLC ±.01	WEIGHT: -	CAGE CODE: -
2 PLC ±.01	3 PLC ±.005	DRAWING NO: 1892820	SCALE: 1:1
4 PLC ±.0020	ANGLES ±2°	FINISH: -	SHEET 2 OF 13
MATERIAL: -		CUSTOMER DRAWING	REV: J5

LOC	DIST	REVISIONS					
ES	00	P	LYR	DESCRIPTION	DATE	OWN	APVD
-	-	-	-	SEE SHEET 1	-	-	-

YES	NO	.600	-	-	-	-	1.150	.275	1.760	IACP + 8S + IACP	5-1892820-0
YES	NO	-	-	-	.300	-	1.150	.275	1.760	3ACP	4-1892820-9
YES	NO	1.500	.550	.300	.300	1.200	2.050	.275	2.660	2ACP + 20S + 2ACP	4-1892820-8
YES	NO	-	-	-	.400	-	1.250	.530	1.860	3ACP	4-1892820-7
YES	NO	.600	-	-	-	-	1.150	.275	1.760	IACP + 8S + IACP	4-1892820-5
YES	NO	-	-	-	.300	-	1.450	.275	2.060	4ACP	4-1892820-4
YES	NO	-	-	-	-	-	2.750	.175	3.360	100S Δ	4-1892820-3
YES	NO	1.050	-	-	-	.500	1.050	.275	1.660	IACP + 4S + IACP	4-1892820-2
YES	NO	1.150	.250	-	-	.600	1.150	.275	1.760	IACP + 8S + IACP	4-1892820-1
YES	NO	-	-	-	-	-	2.250	.175	2.860	80S Δ	4-1892820-0
YES	NO	-	.950	-	.350	-	1.375	.275	1.985	3ACP + 4S	3-1892820-9
YES	NO	-	1.150	-	.300	-	1.875	.275	2.485	4ACP + 16S	3-1892820-8
YES	NO	-	.175	.300	-	.450	1.200	-	1.810	12S + 2ACP	3-1892820-7
YES	NO	1.000	.250	-	-	1.000	1.550	.275	2.160	IACP + 24S + IACP	3-1892820-6
YES	NO	2.100	.850	.300	.300	1.500	2.650	.275	3.260	3ACP + 20S + 3ACP	3-1892820-5
YES	NO	1.800	.850	.300	.300	1.200	2.350	.275	2.960	3ACP + 8S + 3ACP	3-1892820-4
YES	NO	-	-	-	.250	-	1.700	.225	2.310	6P	3-1892820-3
YES	NO	-	-	-	.250	-	.950	.225	1.560	3P	3-1892820-2
YES	NO	2.600	1.150	.300	.300	1.700	3.150	.275	3.760	4ACP + 16S + 4ACP	3-1892820-1
YES	NO	1.400	.550	.300	.300	1.100	1.950	.275	2.560	2ACP + 16S + 2ACP	3-1892820-0
YES	NO	-	.2725	-	.115	-	.830	.1575	1.440	2LP + 12S	2-1892820-9
YES	NO	2.300	1.150	.300	.300	1.700	3.150	.275	3.760	4ACP + 16S + 4ACP	2-1892820-8
YES	NO	-	-	-	.300	-	1.150	.275	1.760	3ACP	2-1892820-7
YES	NO	-	-	-	.300	-	2.350	.275	2.960	7ACP	2-1892820-6
YES	NO	-	.550	-	.300	-	1.275	.275	1.885	2ACP + 16S	2-1892820-5
YES	NO	-	-	-	-	-	.650	.175	1.260	16S Δ	2-1892820-4
YES	NO	.115	-	-	-	-	.430	.1575	1.040	2LP	2-1892820-3
YES	NO	-	-	-	.350	-	2.550	.225	3.160	7P	2-1892820-2
YES	NO	2.620	DETAIL DIMENSIONS PLEASE SEE PART VIEW				3.020	.225	3.630	2P + 8S + 4LP + 8S + 4LP + 8S + 2P	2-1892820-1
YES	NO	-	-	-	.200	-	3.800	.200	4.410	18HDP	2-1892820-0
YES	NO	3.700	1.600	.200	.200	1.900	4.100	.200	4.710	8P + 8S + 10P	1-1892820-9
YES	NO	3.700	1.800	.200	.200	2.100	4.100	.200	4.710	9P + 8S + 9P	1-1892820-8
YES	NO	2.645	-	-	.230	-	2.960	.1575	3.570	24LP	1-1892820-7 Δ
YES	NO	2.185	-	-	.230	-	2.500	.1575	3.110	20LP	1-1892820-6 Δ
YES	NO	1.955	-	-	.230	-	2.270	.1575	2.880	18LP	1-1892820-4 Δ
YES	NO	-	-	-	.300	-	.850	.275	1.460	2ACP	1-1892820-3
YES	NO	-	-	-	.325	-	1.100	.225	1.710	3ACP	1-1892820-2
YES	NO	-	.175	.200	-	.475	1.050	-	1.660	16S + 2HDP	1-1892820-0 Δ
YES	NO	1.565	.7325	.230	.230	.990	1.880	.1575	2.490	6LP + 8S + 6LP	1892820-9
YES	NO	1.400	.550	.300	.300	1.100	1.950	.275	2.560	2ACP + 16S + 2ACP	1892820-8
YES	NO	.550	.225	-	-	.550	1.000	.225	1.610	1P + 8S + 1P	1892820-7
YES	NO	1.100	.400	.200	.200	.900	1.500	.200	2.110	2HDP + 16S + 2HDP	1892820-6
YES	NO	-	.550	-	.300	-	1.175	.275	1.785	2ACP + 12S	1892820-5
NO	NO	-	-	-	.250	-	1.200	.225	1.810	4P	1892820-3
YES	NO	.450	.175	-	-	.450	.850	.200	1.460	1P + 8S + 1P	1892820-2
YES	NO	-	-	-	-	-	1.825	.175	2.435	64S Δ	1892820-1
LATCH	CENTER MODULE	DIM P	DIM W	DIM T	DIM S	DIM R	DIM L	DIM K	DIM F	DESCRIPTION	PART NUMBER

THIS DRAWING IS A CONTROLLED DOCUMENT. DWG: C.ZHOU 14MAY2012
 CHK: S.ZHAO
 APVD: -

DIMENSIONS: INCHES
 TOLERANCES UNLESS OTHERWISE SPECIFIED:
 0 PLC ±
 1 PLC ±0.01
 2 PLC ±0.005
 3 PLC ±0.0025
 4 PLC ±0.0025
 ANGLES ±2°
 MATERIAL: - FINISH: -

PRODUCT SPEC: 108-2157
 APPLICATION SPEC: 114-13112
 WEIGHT: -
 CUSTOMER DRAWING

STE TE Connectivity
 NAME: SQUEEZE TO RELEASE CABLE RECEPTACLE ASSEMBLY W/ LATCHES AND KEY, MULTI-BEAM XLE
 SIZE: A1
 CAGE CODE: 100779
 DRAWING NO: 1892820
 RESTRICTED TO: -
 SCALE: 1:1 SHEET 3 OF 13 REV J5

THIS DRAWING IS UNPUBLISHED. RELEASED FOR PUBLICATION 20
 © COPYRIGHT 20 BY - ALL RIGHTS RESERVED.

LOC		DIST		REVISIONS			
P	LYN	DESCRIPTION	DATE	OWN	APVD		
-	-	SEE SHEET 1	-	-	-		

LATCH	CENTER MODULE	DIM P	DIM W	DIM T	DIM S	DIM R	DIM L	DIM K	DIM F	DESCRIPTION	PART NUMBER
YES	NO	-	.9625	-	.115	-	1.620	.1575	2.230	8LP + 16S	9-1892820-9
YES	NO	1.200	.250	-	-	1.200	1.750	.275	2.360	1ACP + 32S + 1ACP	9-1892820-8
YES	NO	2.700	1.300	.350	.350	1.650	3.250	.275	3.860	4ACP + 8S + 4ACP	9-1892820-7
YES	NO	3.100	1.150	.300	.300	2.300	3.750	.275	4.360	4ACP + 40S + 4ACP	9-1892820-6
YES	NO	1.100	.550	.300	.300	.800	1.650	.275	2.260	2ACP + 4S + 2ACP	9-1892820-5
YES	NO	-	.200	-	-	.700	1.100	.200	1.710	1P + 16S + 1P	9-1892820-4
YES	NO	-	-	-	.250	-	1.250	.250	1.860	4P	9-1892820-3
YES	NO	1.200	.600	.350	.350	.850	1.750	.275	2.360	2ACP + 4S + 2ACP	9-1892820-1
YES	NO	1.350	.625	.350	.350	1.350	1.900	.275	2.510	2ACP + 8S + 2ACP	9-1892820-0
YES	NO	1.100	.250	.300	-	.500	1.650	.275	2.260	1ACP + 4S + 3ACP	8-1892820-9
YES	NO	1.100	.550	.300	.300	.800	1.650	.275	2.260	2ACP + 4S + 2ACP	8-1892820-8
YES	NO	-	.200	-	-	.600	1.000	.200	1.610	1HDP + 12S + 1HDP	8-1892820-7
YES	NO	1.900	.850	.300	.300	1.300	2.450	.275	3.060	3ACP + 12S + 3ACP	8-1892820-6
YES	NO	2.435	.7325	.115	.115	2.090	2.750	.1575	2.860	6LP + 52S + 4LP	8-1892820-4
YES	NO	.500	.200	-	-	.500	.900	.200	1.510	1P + 8S + 1P	8-1892820-3
YES	NO	-	2.625	-	△6	-	3.100	.225	3.710	8P + 8S	8-1892820-2
YES	NO	-	-	-	.350	-	3.000	.275	3.610	8P	8-1892820-1
YES	NO	-	-	△6	△6	-	2.630	.1825	3.240	12LP + 1P	8-1892820-0
YES	NO	2.700	1.150	.300	.300	1.800	3.250	.275	3.860	4ACP + 20S + 4ACP	7-1892820-9
YES	NO	-	-	-	-	-	1.600	.150	2.210	56S	7-1892820-8
YES	NO	1.595	.2475	.115	.115	1.480	1.910	.1575	2.520	2LP + 48S + 2LP	7-1892820-7
YES	NO	1.700	.975	.300	.300	1.350	2.600	.275	3.210	3ACP + 8S + 3ACP	7-1892820-6
YES	NO	-	.175	.300	-	.350	1.700	-	2.310	8S + 4ACP	7-1892820-5
YES	NO	.900	.250	-	-	.900	1.450	.275	2.060	1ACP + 20S + 1ACP	7-1892820-4
YES	NO	.950	.275	-	-	.950	1.500	.275	2.110	1ACP + 20S + 1ACP	7-1892820-3
YES	NO	-	-	-	.300	-	2.050	.250	2.660	6ACP	7-1892820-1
YES	NO	-	2.350	-	.300	-	3.175	.275	3.785	8ACP + 20S	7-1892820-0
YES	NO	-	-	-	.250	-	2.200	.225	2.810	8P	6-1892820-8
YES	NO	-	-	-	.300	-	1.150	.275	1.760	3ACP	6-1892820-7
YES	NO	-	-	-	-	-	1.050	.175	1.660	32S	6-1892820-6
YES	NO	-	-	-	-	-	3.250	.175	3.860	120S	6-1892820-5
YES	NO	-	-	-	.350	-	2.300	.275	2.910	6ACP	6-1892820-4
YES	NO	-	-	-	.300	-	1.750	.275	2.360	5ACP	6-1892820-3
YES	NO	-	-	-	.250	-	1.200	.225	1.810	4P	6-1892820-2
YES	NO	1.815	-	-	.165	-	2.130	.1575	2.740	12LP	6-1892820-1
YES	NO	1.300	.550	.300	.300	1.000	1.850	.275	2.460	2ACP + 12S + 2ACP	6-1892820-0
YES	NO	3.400	1.150	.300	.300	2.500	3.950	.275	4.560	4ACP + 48S + 4ACP	5-1892820-9
YES	NO	3.100	1.150	.300	.300	2.200	3.650	.275	4.260	4ACP + 36S + 4ACP	5-1892820-8
YES	NO	-	-	-	.300	-	2.050	.275	2.660	6ACP	5-1892820-7
YES	NO	-	-	-	.350	-	1.950	.275	2.560	5ACP	5-1892820-6
YES	NO	1.150	.375	.200	.200	.950	1.600	.225	2.210	2HDP + 20S + 2HDP	5-1892820-5
YES	NO	3.000	.950	.250	.250	2.250	3.450	.225	4.060	4P + 48S + 4P	5-1892820-4
YES	NO	-	-	-	.300	-	1.450	.275	2.060	4ACP	5-1892820-3
YES	NO	-	.2725	-	.115	-	1.330	.1575	1.940	2LP + 32S	5-1892820-2
YES	NO	-	.2725	-	.115	-	.930	.1575	1.540	2LP + 16S	5-1892820-1

THIS DRAWING IS A CONTROLLED DOCUMENT. DWG: C.ZHOU 14MAY2012
 CHK: S.ZHAO
 APVD: -

DIMENSIONS: INCHES TOLERANCES UNLESS OTHERWISE SPECIFIED:
 0 PLC ±.
 1 PLC ±.01
 2 PLC ±.005
 3 PLC ±.005
 4 PLC ±.0025
 ANGLES ±.2°
 FINISH -

MATERIAL: -

PRODUCT SPEC: 108-2157
 APPLICATION SPEC: 114-13112
 WEIGHT: -
 CUSTOMER DRAWING

NAME: SQUEEZE TO RELEASE CABLE RECEPTACLE ASSEMBLY W/ LATCHES AND KEY, MULTI-BEAM XLE
 SIZE: A1
 CAGE CODE: 1892820
 SCALE: 1:1 SHEET 4 OF 13 REV J5

TE Connectivity

PART NUMBER	ROWS	SIGNAL															
		16	15	14	13	12	11	10	9	8	7	6	5	4	3	2	1
1892820-1	D	E	E	E	E	E	E	E	E	E	E	E	E	E	E	E	
	C	E	E	E	E	E	E	E	E	E	E	E	E	E	E	E	
	B	E	E	E	E	E	E	E	E	E	E	E	E	E	E	E	
	A	E	E	E	E	E	E	E	E	E	E	E	E	E	E	E	
64S																	

PART NUMBER	ROWS	SIGNAL			POWER	
		3	2	1	P2	P1
1892820-5	D	E	E	E	RM	RM
	C	E	E	E		
	B	E	E	E		
	A	E	E	E		
2ACP + 12S						

PART NUMBER	ROWS	POWER	SIGNAL		POWER
		P2	2	1	P1
1892820-2	D	RM	E	E	RM
	C		E	E	
	B		E	E	
	A		E	E	
IP + 8S + IP					

PART NUMBER	ROWS	POWER	SIGNAL		POWER
		P2	2	1	P1
1892820-7	D	RM	E	E	RM
	C		E	E	
	B		E	E	
	A		E	E	
IP + 8S + IP					

PART NUMBER	ROWS	POWER			
		P4	P3	P2	P1
1892820-3	D	RM	RM	RM	RM
	C				
	B				
	A				
4P					

PART NUMBER	ROWS	POWER		SIGNAL				POWER	
		P4	P3	4	3	2	1	P2	P1
1892820-8	D	RM	RM	E	E	E	E	RM	RM
	C			E	E	E	E		
	B			E	E	E	E		
	A			E	E	E	E		
2ACP + 16S + 2ACP									

PART NUMBER	ROWS	POWER		SIGNAL				POWER	
		P4	P3	4	3	2	1	P2	P1
1892820-6	D	RM	RM	E	E	E	E	RM	RM
	C			E	E	E	E		
	B			E	E	E	E		
	A			E	E	E	E		
2HDP + 16S + 2HDP									

PART NUMBER	ROWS	POWER						SIGNAL		POWER					
		P12	P11	P10	P9	P8	P7	2	1	P6	P5	P4	P3	P2	P1
1892820-9	D	LP	LP	LP	LP	LP	LP	E	E	LP	LP	LP	LP	LP	LP
	C							E	E						
	B							E	E						
	A							E	E						
6LP + 8S + 6LP															

PART NUMBER	ROWS	POWER		SIGNAL			
		P2	P1	4	3	2	1
1-1892820-0	D	RA	RM	E	E	E	E
	C			E	E	E	E
	B			E	E	E	E
	A			E	E	E	E
16S + 2HDP							

LOW POWER CONTACT	LP
POWER CONTACT, STD	RM
POWER CONTACT, MFBL	RA
SIGNAL CONTACT	E
DESCRIPTION	CODE
CODES	

REFERENCE WIRE CHART AND CONTACTS		
HOUSING MODULE	CONTACT	INSULATION DIAMETER RANGE
.300 POWER	8 - 10 REF 1600960	[.176 - .272]
.250 POWER	8 - 10 REF 1600960	[.176 - .203]
	12 - 14 REF 1600961	[.156 - .176]
.200 POWER	12 - 14 REF 1600961	[.120 - .156]
.100 SIGNAL	22 - 26 REF 531216-5	[.036 - .069]

THIS DRAWING IS A CONTROLLED DOCUMENT. DWN: C.ZHOU 14MAY2012
 CHK: S.ZHAO
 APVD: -

DIMENSIONS: INCHES
 TOLERANCES UNLESS OTHERWISE SPECIFIED:
 0 PLC ±
 1 PLC ±.01
 2 PLC ±.01
 3 PLC ±0.005
 4 PLC ±0.002
 ANGLES ±2°
 FINISH -

MATERIAL: -

PRODUCT SPEC: 108-2157
 APPLICATION SPEC: 114-13112
 WEIGHT: -

CUSTOMER DRAWING

NAME: SQUEEZE TO RELEASE CABLE RECEPTACLE ASSEMBLY W/ LATCHES AND KEY, MULTI-BEAM XLE
 SIZE: A1
 CAGE CODE: 100779
 DRAWING NO: 1892820
 RESTRICTED TO: -

SCALE: 1:1 SHEET 5 OF 13 REV J5

LOC	DIST	REVISIONS			
P	LTN	DESCRIPTION	DATE	DNM	APVD
ES	00	- SEE SHEET 1	-	-	-

PART NUMBER	ROWS	POWER		
		P3	P2	P1
1-1892820-2	D	RM	RM	RM
	C			
	B			
	A			
3ACP				

PART NUMBER	ROWS	POWER	
		P2	P1
1-1892820-3	D	RM	RA
	C		
	B		
	A		
2ACP			

PART NUMBER	ROWS	POWER																	
		P18	P17	P16	P15	P14	P13	P12	P11	P10	P9	P8	P7	P6	P5	P4	P3	P2	P1
1-1892820-4	D	LP	LP	LP	LP	LP	LP	LP	LP	LP	LP	LP	LP	LP	LP	LP	LP	LP	LP
	C																		
	B																		
	A																		
18LP																			

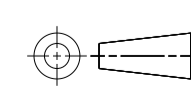
PART NUMBER	ROWS	POWER																			
		P20	P19	P18	P17	P16	P15	P14	P13	P12	P11	P10	P9	P8	P7	P6	P5	P4	P3	P2	P1
1-1892820-6	D	LP	LP	LP	LP	LP	LP	LP	LP	LP	LP	LP	LP	LP	LP	LP	LP	LP	LP	LP	LP
	C																				
	B																				
	A																				
20LP																					

PART NUMBER	ROWS	POWER																							
		P24	P23	P22	P21	P20	P19	P18	P17	P16	P15	P14	P13	P12	P11	P10	P9	P8	P7	P6	P5	P4	P3	P2	P1
1-1892820-7	D	LP	LP	LP	LP	LP	LP	LP	LP	LP	LP	LP	LP	LP	LP	LP	LP	LP	LP	LP	LP	LP	LP	LP	LP
	C																								
	B																								
	A																								
24LP																									

PART NUMBER	ROWS	POWER										SIGNAL		POWER											
		P18	P17	P16	P15	P14	P13	P12	P11	P10	P9	P8	P7	P6	P5	P4	P3	P2	P1						
1-1892820-8	D	RM	RM	RM	RM	RM	RM	RM	RM	RM	RM	RM	RM	RM	RM	RM	RM	RM	RM	RM	RM	RM	RM	RM	RM
	C																								
	B																								
	A																								
9P + 8S + 9P																									

PART NUMBER	ROWS	POWER											SIGNAL		POWER										
		P18	P17	P16	P15	P14	P13	P12	P11	P10	P9	P8	P7	P6	P5	P4	P3	P2	P1						
1-1892820-9	D	RM	RM	RM	RM	RM	RM	RM	RM	RM	RM	RM	RM	RM	RM	RM	RM	RM	RM	RM	RM	RM	RM	RM	RM
	C																								
	B																								
	A																								
8P + 8S + 10P																									

PART NUMBER	ROWS	POWER																							
		P18	P17	P16	P15	P14	P13	P12	P11	P10	P9	P8	P7	P6	P5	P4	P3	P2	P1						
2-1892820-0	D	RM	RM	RM	RM	RM	RM	RM	RM	RM	RM	RM	RM	RM	RM	RM	RM	RM	RM	RM	RM	RM	RM	RM	RM
	C																								
	B																								
	A																								
18HDP																									

THIS DRAWING IS A CONTROLLED DOCUMENT.		DNM C. ZHOU CHK S. ZHAO	TAMAY2012	STE TE Connectivity
DIMENSIONS: INCHES		TOLERANCES UNLESS OTHERWISE SPECIFIED:	PRODUCT SPEC	
		0 PLC ± 1 PLC ± 2 PLC ±0.01 3 PLC ±0.005 4 PLC ±0.0020 ANGLES ±2° FINISH	108-2157 APPLICATION SPEC 114-13112	NAME SQUEEZE TO RELEASE CABLE RECEPTACLE ASSEMBLY W/ LATCHES AND KEY, MULTI-BEAM XLE
MATERIAL			SIZE CAGE CODE DRAWING NO A100779C=1892820	RESTRICTED TO CUSTOMER DRAWING
			SCALE 1:1 SHEET 6 OF 13 REV J5	

LOC	DIST	REVISIONS			
P	LTN	DESCRIPTION	DATE	DMN	APVD
-	-	SEE SHEET 1	-	-	-

PART NUMBER	ROWS	POWER		SIGNAL		LOWER POWER				LOW POWER				SIGNAL		POWER				
		P4	P3	6	5	LP8	LP7	LP6	LP5	4	3	LP4	LP3	LP2	LP1	2	1	P2	P1	
2-1892820-1	D	RM	RM	E	E	LP	LP	LP	LP	E	E	LP	LP	LP	LP	E	E	RM	RM	
	C			E	E					E	E					E	E			
	B			E	E					E	E					E	E			E
	A			E	E					E	E					E	E			E

2P + 8S + 4LP + 8S + 4LP + 8S + 2P

PART NUMBER	ROWS	POWER						
		P7	P6	P5	P4	P3	P2	P1
2-1892820-2	D	RM	RM	RM	RM	RM	RM	RM
	C							
	B							
	A							

7P

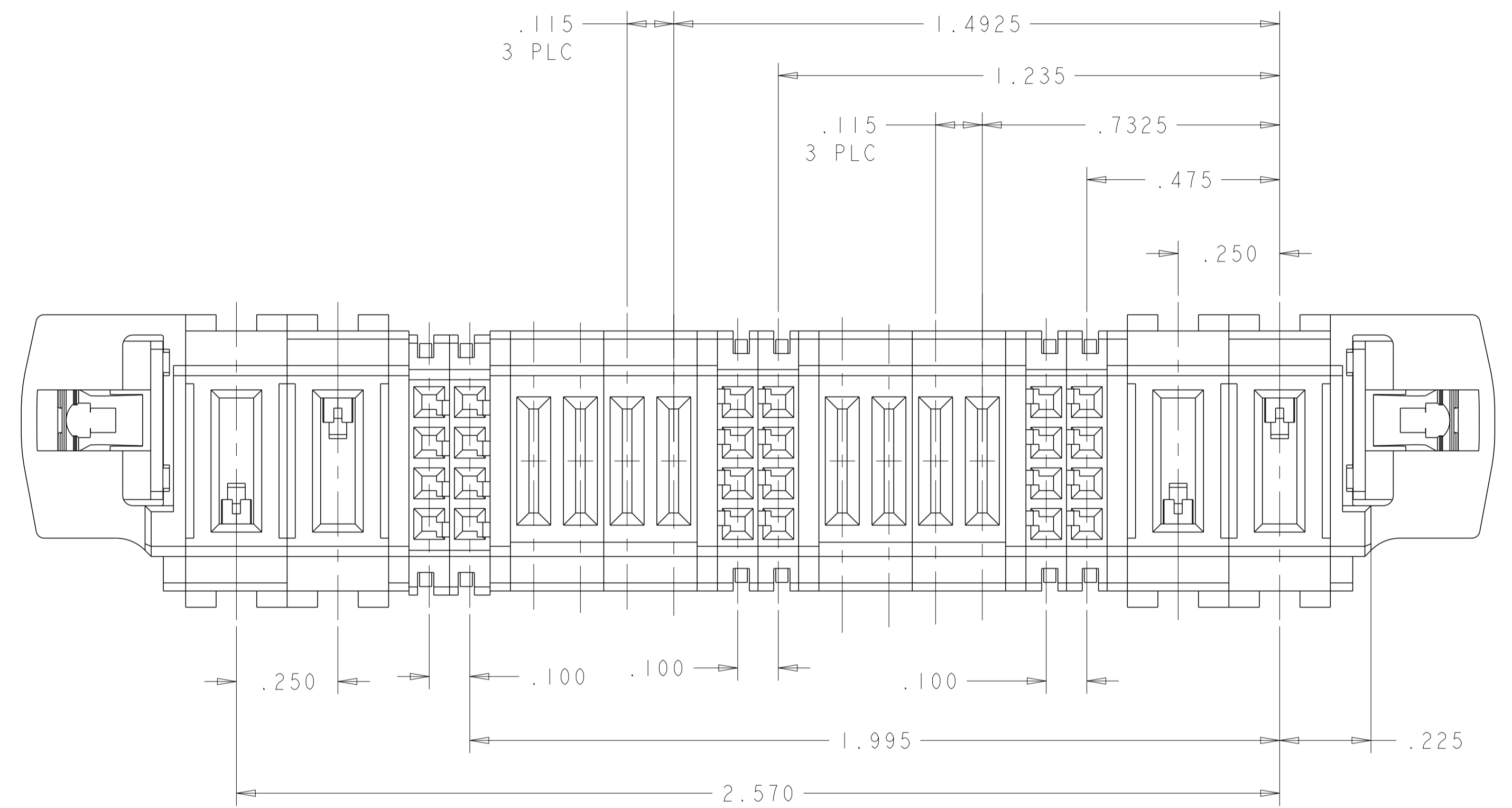
NO CONTACT LOADED

PART NUMBER	ROWS	POWER	
		LP2	LP1
2-1892820-3	D	LP	LP
	C		
	B		
	A		

2LP

PART NUMBER	ROWS	SIGNAL			
		4	3	2	1
2-1892820-4	D	E	E	E	E
	C	E	E	E	E
	B	E	E	E	E
	A	E	E	E	E

16S



PART NUMBER	ROWS	SIGNAL				POWER	
		4	3	2	1	P2	P1
2-1892820-5	D	E	E	E	E	RM	RM
	C	E	E	E	E		
	B	E	E	E	E		
	A	E	E	E	E		

2ACP + 16S

PART NUMBER	ROWS	POWER		
		P3	P2	P1
2-1892820-7	D	RM	RM	RM
	C			
	B			
	A			

3ACP

NO CONTACT LOADED

PART NUMBER	ROWS	POWER						
		P7	P6	P5	P4	P3	P2	P1
2-1892820-6	D	RM	RM	RM	RM	RM	RM	RM
	C							
	B							
	A							

7ACP

NO CONTACTS LOADED

THIS DRAWING IS A CONTROLLED DOCUMENT. DIMENSIONS: INCHES. TOLERANCES UNLESS OTHERWISE SPECIFIED: 0 PLC ±.0005, 1 PLC ±.001, 2 PLC ±.001, 3 PLC ±.001, 4 PLC ±.001, ANGLES ±.0020. MATERIAL: . FINISH: .

DMN: C. ZHOU, CHK: S. ZHAO, APVD: . DATE: 14MAY2012. NAME: SQUEEZE TO RELEASE CABLE RECEPTACLE ASSEMBLY W/ LATCHES AND KEY, MULTI-BEAM XLE. PRODUCT SPEC: 108-2157, APPLICATION SPEC: 114-13112. WEIGHT: . SIZE: A100779, CAGE CODE: C=1892820. RESTRICTED TO: .

STE TE Connectivity. CUSTOMER DRAWING. SCALE: 1:1. SHEET 7 OF 13. REV J5.

LOC	DIST	REV	DATE	BY	APVD
ES	00				

PART NUMBER	ROWS	POWER				SIGNAL				POWER			
		P8	P7	P6	P5	4	3	2	1	P4	P3	P2	P1
2-1892820-8	D	RM	RM	RM	RM	E	E	E	E	RM	RM	RM	RM
	C					E	E	E	E				
	B					E	E	E	E				
	A					E	E	E	E				

4ACP + 16S + 4ACP

PART NUMBER	ROWS	POWER			SIGNAL		POWER		
		P6	P5	P4	2	1	P3	P2	P1
3-1892820-4	D	RM	RM	RM	-	-	RM	RM	RM
	C				-	-			
	B				-	-			
	A				-	-			

3ACP + 8S + 3ACP

- NO CONTACTS LOADED

PART NUMBER	ROWS	SIGNAL			POWER	
		3	2	1	LP2	LP1
2-1892820-9	D	E	E	E	LP	LP
	C	E	E	E		
	B	E	E	E		
	A	E	E	E		

2LP + 12S

PART NUMBER	ROWS	POWER			SIGNAL					POWER		
		P6	P5	P4	5	4	3	2	1	P3	P2	P1
3-1892820-5	D	RM	RM	RM	E	E	E	E	E	RM	RM	RM
	C				E	E	E	E	E			
	B				E	E	E	E	E			
	A				E	E	E	E	E			

3ACP + 20S + 3ACP

PART NUMBER	ROWS	POWER		SIGNAL				POWER	
		P4	P3	4	3	2	1	P2	P1
3-1892820-0	D	RM	RM	-	-	-	-	RA	RA
	C			-	-	-	-		
	B			-	-	-	-		
	A			-	-	-	-		

2ACP + 16S + 2ACP

- NO CONTACTS LOADED

PART NUMBER	ROWS	POWER	SIGNAL						POWER
		P2	6	5	4	3	2	1	P1
3-1892820-6	D	RM	E	E	E	E	E	E	RM
	C		E	E	E	E	E	E	
	B		E	E	E	E	E	E	
	A		E	E	E	E	E	E	

1ACP + 24S + 1ACP

PART NUMBER	ROWS	POWER				SIGNAL				POWER			
		P8	P7	P6	P5	4	3	2	1	P4	P3	P2	P1
3-1892820-1	D	RM	RM	RM	RM	-	-	-	-	RA	RA	RA	RA
	C					-	-	-	-				
	B					-	-	-	-				
	A					-	-	-	-				

4ACP + 16S + 4ACP

- NO CONTACTS LOADED

PART NUMBER	ROWS	POWER		SIGNAL		
		P2	P1	3	2	1
3-1892820-7	D	RM	RM	E	E	E
	C			E	E	E
	B			E	E	E
	A			E	E	E

12S + 2ACP

PART NUMBER	ROWS	POWER		
		P3	P2	P1
3-1892820-2	D	RM	RM	RM
	C			
	B			
	A			

3P

PART NUMBER	ROWS	SIGNAL				POWER			
		4	3	2	1	P4	P3	P2	P1
3-1892820-8	D	E	E	E	E	RA	RA	RM	RM
	C	E	E	E	E				
	B	E	E	E	E				
	A	E	E	E	E				

4ACP + 16S

PART NUMBER	ROWS	S	POWER		
		I	P3	P2	P1
3-1892820-9	D	E	RM	RM	RM
	C	E			
	B	E			
	A	E			

3ACP + 4S

PART NUMBER	ROWS	POWER					
		P6	P5	P4	P3	P2	P1
3-1892820-3	D	RM	RM	RM	RM	RM	RM
	C						
	B						
	A						

6P

THIS DRAWING IS A CONTROLLED DOCUMENT.

DMN: C.ZHOU 14MAY2012
 CHK: S.ZHAO
 APVD: -

PRODUCT SPEC: 108-2157
 APPLICATION SPEC: 114-13112

NAME: SQUEEZE TO RELEASE CABLE RECEPTACLE ASSEMBLY W/ LATCHES AND KEY, MULTI-BEAM XLE

SIZE: A1 CAGE CODE: 1892820 DRAWING NO: 100779

SCALE: 1:1 SHEET: 8 OF 13 REV: J5

STC TE Connectivity

LOC	DIST	REVISIONS			
P	LTN	DESCRIPTION	DATE	OWN	APVD
-	-	SEE SHEET 1	-	-	-

PART NUMBER	ROWS	SIGNAL																			
		20	19	18	17	16	15	14	13	12	11	10	9	8	7	6	5	4	3	2	1
4-1892820-0	D	E	E	E	E	E	E	E	E	E	E	E	E	E	E	E	E	E	E	E	E
	C	E	E	E	E	E	E	E	E	E	E	E	E	E	E	E	E	E	E	E	E
	B	E	E	E	E	E	E	E	E	E	E	E	E	E	E	E	E	E	E	E	E
	A	E	E	E	E	E	E	E	E	E	E	E	E	E	E	E	E	E	E	E	E
80S																					

PART NUMBER	ROWS	POWER		
		P3	P2	P1
4-1892820-9	D	RM	RM	RM
	C			
	B			
	A			
3ACP				

PART NUMBER	ROWS	POWER	SIGNAL	POWER	
		P2	2	1	P1
4-1892820-1	D	RM	E	E	RA
	C		E	E	
	B		E	E	
	A		E	E	
IACP + 8S + IACP					

PART NUMBER	ROWS	POWER	SIGNAL	POWER	
		P2	2	1	P1
5-1892820-0	D	RM	E	E	RM
	C		E	E	
	B		E	E	
	A		E	E	
IACP + 8S + IACP					

PART NUMBER	ROWS	POWER	SIGNAL	POWER	
		P2	1	P1	
4-1892820-2	D	RM	E	RA	
	C		E		
	B		E		
	A		E		
IACP + 4S + IACP					

PART NUMBER	ROWS	POWER			
		P3	P3	P2	P1
4-1892820-4	D	RM	RM	RA	RA
	C				
	B				
	A				
4ACP					

PART NUMBER	ROWS	SIGNAL	POWER				
		4	3	2	1	LP2	LP1
5-1892820-1	D	E	E	E	E	LP	LP
	C	E	E	E	E		
	B	E	E	E	E		
	A	E	E	E	E		
2LP + 16S							

PART NUMBER	ROWS	SIGNAL																								
		25	24	23	22	21	20	19	18	17	16	15	14	13	12	11	10	9	8	7	6	5	4	3	2	1
4-1892820-3	D	E	E	E	E	E	E	E	E	E	E	E	E	E	E	E	E	E	E	E	E	E	E	E	E	E
	C	E	E	E	E	E	E	E	E	E	E	E	E	E	E	E	E	E	E	E	E	E	E	E	E	E
	B	E	E	E	E	E	E	E	E	E	E	E	E	E	E	E	E	E	E	E	E	E	E	E	E	E
	A	E	E	E	E	E	E	E	E	E	E	E	E	E	E	E	E	E	E	E	E	E	E	E	E	E
100S																										

PART NUMBER	ROWS	SIGNAL	POWER								
		8	7	6	5	4	3	2	1	LP2	LP1
5-1892820-2	D	E	E	E	E	E	E	E	E	LP	LP
	C	E	E	E	E	E	E	E	E		
	B	E	E	E	E	E	E	E	E		
	A	E	E	E	E	E	E	E	E		
2LP + 32S											

PART NUMBER	ROWS	POWER		
		P3	P2	P1
4-1892820-7	D	RA	RA	RM
	C			
	B			
	A			
3ACP				

PART NUMBER	ROWS	POWER	SIGNAL	POWER	
		P2	2	1	P1
4-1892820-5	D	RM	E	E	RA
	C		E	E	
	B		E	E	
	A		E	E	
IACP + 8S + IACP					

PART NUMBER	ROWS	POWER			
		P3	P3	P2	P1
5-1892820-3	D	RM	RM	RM	RM
	C				
	B				
	A				
4ACP					

PART NUMBER	ROWS	POWER	SIGNAL	POWER						
		P4	P3	5	4	3	2	1	P2	P1
4-1892820-8	D	RM	RM	E	E	E	E	E	RM	RM
	C			E	E	E	E	E		
	B			E	E	E	E	E		
	A			E	E	E	E	E		
2ACP + 20S + 2ACP										

PART NUMBER	ROWS	POWER	SIGNAL	POWER																				
		P8	P7	P6	P5	12	11	10	9	8	7	6	5	4	3	2	1	P4	P3	P2	P1			
5-1892820-4	D	RM	RM	RM	RM	E	E	E	E	E	E	E	E	E	E	E	E	E	E	E	E			
	C					E	E	E	E	E	E	E	E	E	E	E	E	E	E	E	E	E	E	
	B					E	E	E	E	E	E	E	E	E	E	E	E	E	E	E	E	E	E	E
	A					E	E	E	E	E	E	E	E	E	E	E	E	E	E	E	E	E	E	E
4P + 48S + 4P																								


THIS DRAWING IS A CONTROLLED DOCUMENT. DWG: C.ZHOU 14MAY2012
 CHK: S.ZHAO
 APVD: -

DIMENSIONS: INCHES
 TOLERANCES UNLESS OTHERWISE SPECIFIED:
 0 PLC ±
 1 PLC ±0.01
 2 PLC ±0.005
 3 PLC ±0.0025
 4 PLC ANGLES ±0.0025°
 MATERIAL: - FINISH: -

PRODUCT SPEC: 108-2157
 APPLICATION SPEC: 114-13112
 WEIGHT: -

NAME: SQUEEZE TO RELEASE CABLE RECEPTACLE ASSEMBLY W/ LATCHES AND KEY, MULTI-BEAM XLE
 SIZE: A1
 CAGE CODE: 100779
 DRAWING NO: 1892820
 RESTRICTED TO: -

CUSTOMER DRAWING SCALE: 1:1 SHEET 9 OF 13 REV: J5



LOC	DIST	REVISIONS			
P	LTN	DESCRIPTION	DATE	DMN	APVD
ES	00	- SEE SHEET 1	-	-	-

PART NUMBER	ROWS	POWER		SIGNAL					POWER	
		P4	P3	5	4	3	2	1	P2	P1
5-1892820-5	D	RM	RM	E	E	E	E	E	RM	RM
	C			E	E	E	E	E		
	B			E	E	E	E	E		
	A			E	E	E	E	E		
2HDP + 20S + 2HDP										

PART NUMBER	ROWS	POWER		SIGNAL			POWER	
		P4	P3	3	2	1	P2	P1
6-1892820-0	D	RM	RM	E	E	E	RM	RM
	C			E	E	E		
	B			E	E	E		
	A			E	E	E		
2ACP + 12S + 2ACP								

PART NUMBER	ROWS	POWER				
		P5	P4	P3	P2	P1
5-1892820-6	D	RM	RM	RM	RM	RM
	C					
	B					
	A					
5ACP						

PART NUMBER	ROWS	POWER										
		LP12	LP11	LP10	LP9	LP8	LP7	LP6	LP5	LP4	LP3	LP2
6-1892820-1	D	LP	LP	LP	LP	LP	LP	LP	LP	LP	LP	LP
	C											
	B											
	A											
12LP												

PART NUMBER	ROWS	POWER					
		P6	P5	P4	P3	P2	P1
5-1892820-7	D	RM	RM	RM	RM	RM	RM
	C						
	B						
	A						
6ACP							

PART NUMBER	ROWS	POWER			
		P4	P3	P2	P1
6-1892820-2	D	RM	RM	RM	RM
	C				
	B				
	A				
4P					

PART NUMBER	ROWS	POWER				SIGNAL									POWER			
		P8	P7	P6	P5	9	8	7	6	5	4	3	2	1	P4	P3	P2	P1
5-1892820-8	D	RM	RM	RM	RM	E	E	E	E	E	E	E	E	E	RM	RM	RM	RM
	C					E	E	E	E	E	E	E	E					
	B					E	E	E	E	E	E	E	E	E				
	A					E	E	E	E	E	E	E	E	E				
4ACP + 36S + 4ACP																		


PART NUMBER	ROWS	POWER				
		P5	P4	P3	P2	P1
6-1892820-3	D	RA	RA	RM	RM	RM
	C					
	B					
	A					
5ACP						

PART NUMBER	ROWS	POWER				SIGNAL												POWER					
		P8	P7	P6	P5	12	11	10	9	8	7	6	5	4	3	2	1	P4	P3	P2	P1		
5-1892820-9	D	RM	RM	RM	RM	E	E	E	E	E	E	E	E	E	E	E	E	E	E	RM	RM	RM	RM
	C					E	E	E	E	E	E	E	E	E	E	E	E	E					
	B					E	E	E	E	E	E	E	E	E	E	E	E	E	E				
	A					E	E	E	E	E	E	E	E	E	E	E	E	E	E				
4ACP + 48S + 4ACP																							

PART NUMBER	ROWS	POWER					
		P6	P5	P4	P3	P2	P1
6-1892820-4	D	RM	RM	RM	RM	RM	RM
	C						
	B						
	A						
6ACP							

PART NUMBER	ROWS	SIGNAL																												
		30	29	28	27	26	25	24	23	22	21	20	19	18	17	16	15	14	13	12	11	10	9	8	7	6	5	4	3	2
6-1892820-5	D	E	E	E	E	E	E	E	E	E	E	E	E	E	E	E	E	E	E	E	E	E	E	E	E	E	E	E	E	E
	C	E	E	E	E	E	E	E	E	E	E	E	E	E	E	E	E	E	E	E	E	E	E	E	E	E	E	E	E	E
	B	E	E	E	E	E	E	E	E	E	E	E	E	E	E	E	E	E	E	E	E	E	E	E	E	E	E	E	E	E
	A	E	E	E	E	E	E	E	E	E	E	E	E	E	E	E	E	E	E	E	E	E	E	E	E	E	E	E	E	E
120S																														

PART NUMBER	ROWS	SIGNAL						
		8	7	6	5	4	3	2
6-1892820-6	D	E	E	E	E	E	E	E
	C	E	E	E	E	E	E	E
	B	E	E	E	E	E	E	E
	A	E	E	E	E	E	E	E
32S								

THIS DRAWING IS A CONTROLLED DOCUMENT.		DMN: C.ZHOU	TAMAY2012		TE Connectivity
DIMENSIONS: INCHES		CHK: S.ZHAO	APVD: -		NAME: SQUEEZE TO RELEASE CABLE RECEPTACLE ASSEMBLY W/ LATCHES AND KEY, MULTI-BEAM XLE
TOLERANCES UNLESS OTHERWISE SPECIFIED:		PRODUCT SPEC		RESTRICTED TO	
0 PLC ±.01		108-2157		SIZE: A1	
1 PLC ±.005		APPLICATION SPEC		CAGE CODE: 100779	
2 PLC ±.002		114-1312		DRAWING NO: 1892820	
3 PLC ±.002		WEIGHT: -		SCALE: 1:1	
4 PLC ±.002		CUSTOMER DRAWING		SHEET 10 OF 13	
ANGLES ±.2°		SCALE: 1:1		REV: J5	
FINISH: -		SCALE: 1:1		REV: J5	

LOC	DIST	REVISIONS					
		P	LTN	DESCRIPTION	DATE	OWN	APVD
ES	00	-	-	SEE SHEET 1	-	-	-

PART NUMBER	ROWS	POWER		
		P3	P2	PI
6-1892820-7	D	RM	RA	RM
	C			
	B			
	A			
3ACP				

PART NUMBER	ROWS	POWER			SIGNAL		POWER		
		P6	P5	P4	2	I	P3	P2	PI
7-1892820-6	D	RM	RM	RM	E	E	RM	RM	RM
	C				E	E			
	B				E	E			
	A				E	E			
3ACP + 8S + 3ACP									

PART NUMBER	ROWS	POWER							
		P8	P7	P6	P5	P4	P3	P2	PI
6-1892820-8	D	RA	RA	RA	RA	RM	RM	RM	RM
	C								
	B								
	A								
8P									

PART NUMBER	ROWS	LOW POWER		SIGNAL												LOW POWER			
		LP4	LP3	12	11	10	9	8	7	6	5	4	3	2	I	LP2	LP1		
7-1892820-7	D	LP	LP	E	E	E	E	E	E	E	E	E	E	E	E	E	E	E	E
	C			E	E	E	E	E	E	E	E	E	E	E	E	E	E	E	
	B			E	E	E	E	E	E	E	E	E	E	E	E	E	E	E	E
	A			E	E	E	E	E	E	E	E	E	E	E	E	E	E	E	E
2LP + 48S + 2LP																			

PART NUMBER	ROWS	SIGNAL					POWER							
		5	4	3	2	I	P8	P7	P6	P5	P4	P3	P2	PI
7-1892820-0	D	E	E	E	E	E	RM	RM	RM	RM	RM	RM	RM	RM
	C	E	E	E	E	E								
	B	E	E	E	E	E								
	A	E	E	E	E	E								
8ACP + 20S														

PART NUMBER	ROWS	SIGNAL															
		14	13	12	11	10	9	8	7	6	5	4	3	2	I		
7-1892820-8	D	E	E	E	E	E	E	E	E	E	E	E	E	E	E	E	E
	C	E	E	E	E	E	E	E	E	E	E	E	E	E	E	E	E
	B	E	E	E	E	E	E	E	E	E	E	E	E	E	E	E	E
	A	E	E	E	E	E	E	E	E	E	E	E	E	E	E	E	E
56S																	


PART NUMBER	ROWS	POWER					
		P6	P5	P4	P3	P2	PI
7-1892820-1	D	RM	RM	RM	RM	RM	RM
	C						
	B						
	A						
6ACP							

PART NUMBER	ROWS	POWER				SIGNAL					POWER			
		P8	P7	P6	P5	5	4	3	2	I	P4	P3	P2	PI
7-1892820-9	D	RM	RM	RM	RM	E	E	E	E	E	RM	RM	RM	RM
	C					E	E	E	E	E				
	B					E	E	E	E	E				
	A					E	E	E	E	E				
4ACP + 20S + 4ACP														

PART NUMBER	ROWS	POWER	SIGNAL					PI
		P2	5	4	3	2	I	
7-1892820-3	D	RA	E	E	E	E	E	RM
	C		E	E	E	E	E	
	B		E	E	E	E	E	
	A		E	E	E	E	E	
1ACP + 20S + 1ACP								

PART NUMBER	ROWS	POWER	SIGNAL					PI
		P2	5	4	3	2	I	
7-1892820-4	D	RM	E	E	E	E	E	RM
	C		E	E	E	E	E	
	B		E	E	E	E	E	
	A		E	E	E	E	E	
1ACP + 20S + 1ACP								

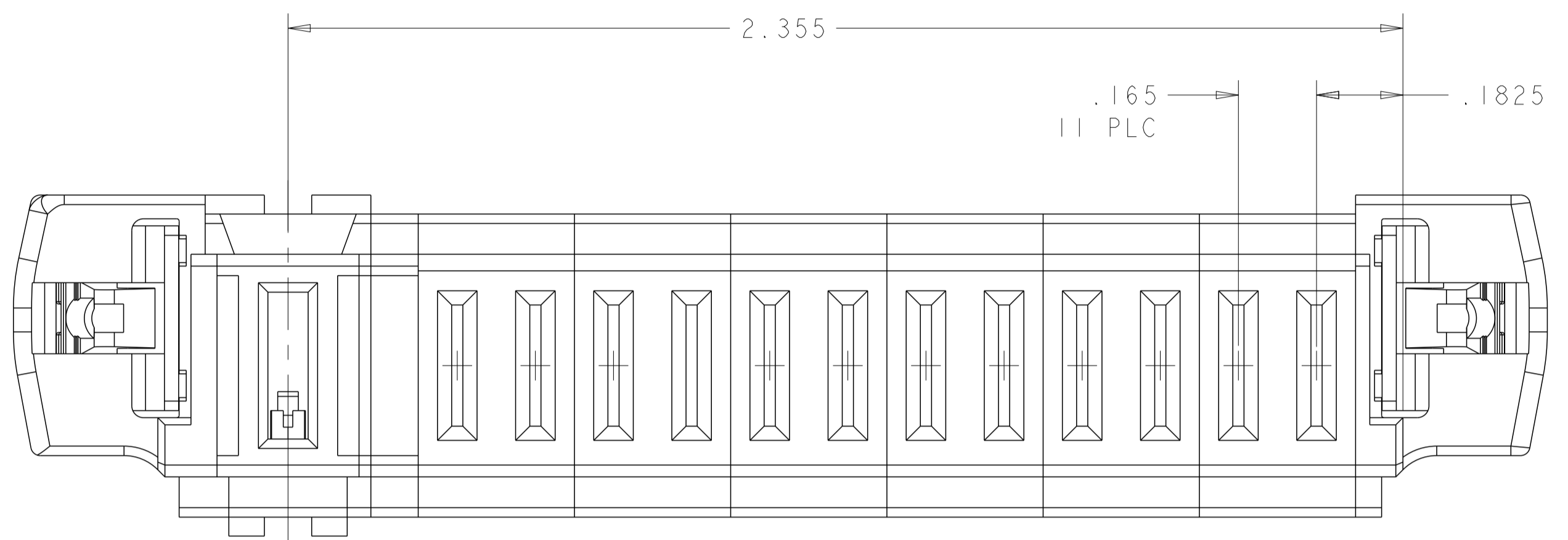
PART NUMBER	ROWS	POWER				SIGNAL	
		P4	P3	P2	PI	2	I
7-1892820-5	D	RM	RM	RA	RA	E	E
	C					E	E
	B					E	E
	A					E	E
8S + 4ACP							

THIS DRAWING IS A CONTROLLED DOCUMENT.		OWN: C. ZHOU	TAMAY2012		TE Connectivity
DIMENSIONS: INCHES		CHK: S. ZHAO	APVD: -		NAME: SQUEEZE TO RELEASE CABLE RECEPTACLE ASSEMBLY W/ LATCHES AND KEY, MULTI-BEAM XLE
TOLERANCES UNLESS OTHERWISE SPECIFIED:		PRODUCT SPEC: 108-2157		RESTRICTED TO:	
0 PLC ±		APPLICATION SPEC: 114-13112		SIZE: A1	
1 PLC ±0.01		WEIGHT: -		CAGE CODE: 1892820	
2 PLC ±0.005		SCALE: 1:1		SHEET 11 OF 13	
3 PLC ±0.0020		CUSTOMER DRAWING		REV J5	
4 PLC ±0.0020					
ANGLES: ±2°					
FINISH: -					

LOC	DIST	REVISIONS			
P	LTN	DESCRIPTION	DATE	DMN	APVD
-	-	SEE SHEET 1	-	-	-

PART NUMBER	ROWS	POWER												
		P1	LP12	LP11	LP10	LP9	LP8	LP7	LP6	LP5	LP4	LP3	LP2	LP1
8-1892820-0	D													
	C	RA	LP	LP	LP	LP	LP	LP	LP	LP	LP	LP	LP	LP
	B													
	A													
12LP + 1P														

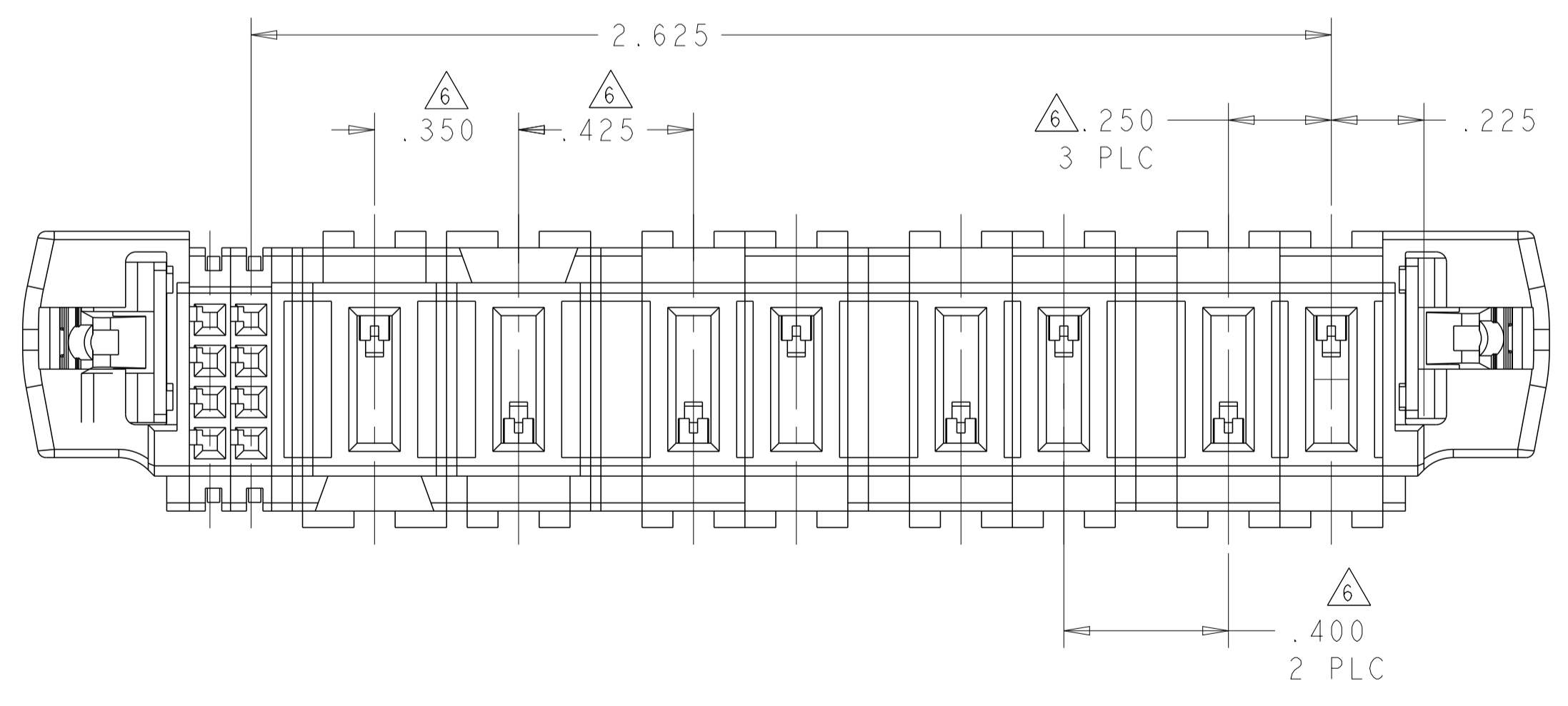
PART NUMBER	ROWS	POWER							
		P8	P7	P6	P5	P4	P3	P2	P1
8-1892820-1	D								
	C	RM	RM	RM	RM	RM	RM	RM	RM
	B								
	A								
8P									



PART NUMBER	ROWS	POWER	SIGNAL		POWER
		P2	2	1	P1
8-1892820-3	D		E	E	
	C	RM	E	E	RM
	B		E	E	
	A		E	E	
IP + 8S + 1P					

PART NUMBER	ROWS	SIGNAL		POWER								
		2	1	P8	P7	P6	P5	P4	P3	P2	P1	
8-1892820-2	D	E	E									
	C	E	E	RM	RM	RM	RM	RM	RM	RM	RM	RM
	B	E	E									
	A	E	E									
8P + 8S												

PART NUMBER	ROWS	LOW POWER				SIGNAL											LOW POWER										
		LP10	LP9	LP8	LP7	13	12	11	10	9	8	7	6	5	4	3	2	1	LP6	LP5	LP4	LP3	LP2	LP1			
8-1892820-4	D					E	E	E	E	E	E	E	E	E	E	E	E	E	E	E	E	E	E	E			
	C	LP	LP	LP	LP	E	E	E	E	E	E	E	E	E	E	E	E	E	E	E	E	E	E	E			
	B					E	E	E	E	E	E	E	E	E	E	E	E	E	E	E	E	E	E	E	E	E	
	A					E	E	E	E	E	E	E	E	E	E	E	E	E	E	E	E	E	E	E	E	E	E
6LP + 52S + 4LP																											



PART NUMBER	ROWS	POWER			SIGNAL			POWER		
		P6	P5	P4	3	2	1	P3	P2	P1
8-1892820-6	D				E	E	E	RM	RM	RM
	C	RM	RM	RM	E	E	E			
	B				E	E	E			
	A				E	E	E			
3ACP + 12S + 3ACP										

PART NUMBER	ROWS	POWER	SIGNAL			POWER
		P2	3	2	1	P1
8-1892820-7	D	RM	E	E	E	RM
	C		E	E	E	
	B		E	E	E	
	A		E	E	E	
1HDP+12S+1HDP						

THIS DRAWING IS A CONTROLLED DOCUMENT. DWN: C. ZHOU 14MAY2012
 CHK: S. ZHAO
 APVD: -

DIMENSIONS: INCHES
 TOLERANCES UNLESS OTHERWISE SPECIFIED:
 0 PLC ±
 1 PLC ±0.01
 2 PLC ±0.01
 3 PLC ±0.005
 4 PLC ±0.0020
 ANGLES ±2°
 FINISH -

MATERIAL: -

PRODUCT SPEC: 108-2157
 APPLICATION SPEC: 114-13112
 WEIGHT: -

NAME: SQUEEZE TO RELEASE CABLE RECEPTACLE ASSEMBLY W/ LATCHES AND KEY, MULTI-BEAM XLE
 SIZE: A1
 CAGE CODE: 100779
 DRAWING NO: 1892820
 CUSTOMER DRAWING

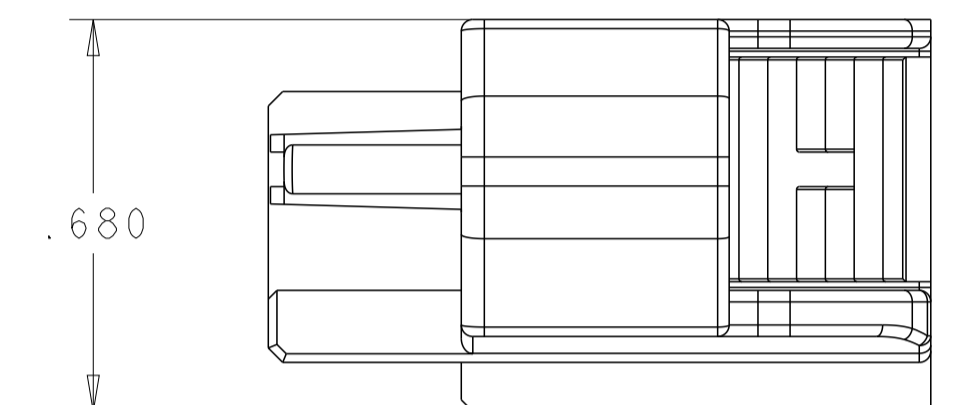
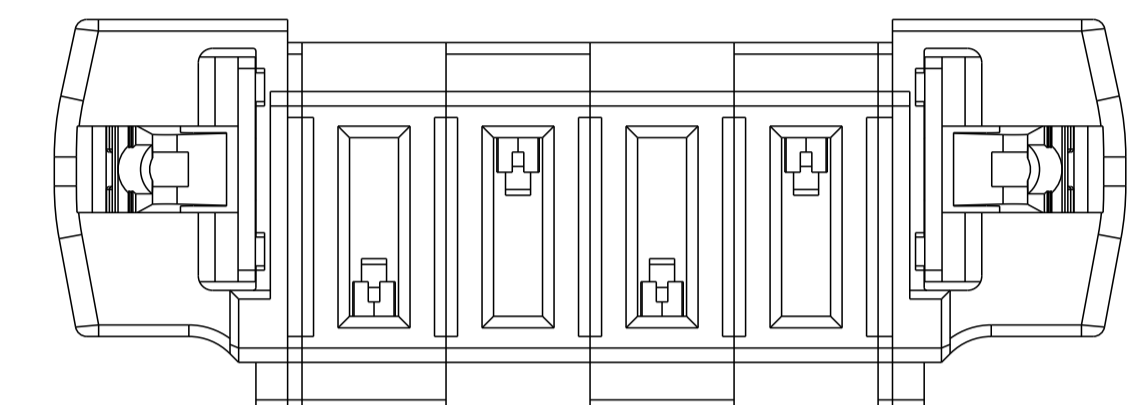
SCALE: 1:1 SHEET 12 OF 13 REV J5

LOC		DIST		REVISONS			
ES	00	P	LTH	DESCRIPTION	DATE	OWN	APVD
-	-	-	-	SEE SHEET 1	-	-	-

PART NUMBER	ROWS	POWER		S	POWER	
		P4	P3	I	P2	P1
8-1892820-8	D	RM	RM	E	RM	RM
	C			E		
	B			E		
	A			E		
2ACP + 4S + 2ACP						

PART NUMBER	ROWS	POWER			
		P4	P3	P2	P1
9-1892820-3	D	RM	RM	RM	RM
	C				
	B				
	A				
4P					

PART NUMBER	ROWS	POWER			S	POWER
		P4	P3	P2	I	P1
8-1892820-9	D	RM	RM	RM	E	RM
	C				E	
	B				E	
	A				E	
1ACP + 4S + 3ACP						



PART NUMBER	ROWS	POWER		SIG		POWER	
		P4	P3	2	I	P2	P1
9-1892820-0	D	RM	RM	E	E	RM	RM
	C			E	E		
	B			E	E		
	A			E	E		
2ACP + 8S + 2ACP							

PART NUMBER	ROWS	POWER				SIGNAL										POWER									
		P8	P7	P6	P5	10	9	8	7	6	5	4	3	2	1	P4	P3	P2	P1						
9-1892820-6	D	RM	RM	RM	RM	E	E	E	E	E	E	E	E	E	E	E	E	E	E	E	E	E			
	C					E	E	E	E	E	E	E	E	E	E	E	E	E	E	E	E	E	E	E	
	B					E	E	E	E	E	E	E	E	E	E	E	E	E	E	E	E	E	E	E	E
	A					E	E	E	E	E	E	E	E	E	E	E	E	E	E	E	E	E	E	E	E
4ACP + 36S + 4ACP																									

PART NUMBER	ROWS	POWER		S	POWER	
		P4	P3	I	P2	P1
9-1892820-1	D	RM	RM	E	RM	RM
	C			E		
	B			E		
	A			E		
2ACP + 4S + 2ACP						

PART NUMBER	ROWS	POWER				SIGNAL		POWER			
		P8	P7	P6	P5	2	1	P4	P3	P2	P1
9-1892820-7	D	RM	RM	RM	RM	E	E	RM	RM	RM	RM
	C					E	E				
	B					E	E				
	A					E	E				
4ACP + 8S + 4ACP											

PART NUMBER	ROWS	POWER	SIGNAL							POWER		
		P2	8	7	6	5	4	3	2	1	P1	
9-1892820-8	D	RM	E	E	E	E	E	E	E	E	E	RM
	C		E	E	E	E	E	E	E	E	E	
	B		E	E	E	E	E	E	E	E	E	
	A		E	E	E	E	E	E	E	E	E	
1ACP + 32S + 1ACP												

PART NUMBER	ROWS	POWER	SIGNAL				POWER
		P2	4	3	2	1	P1
9-1892820-4	D	RM	E	E	E	E	RM
	C		E	E	E	E	
	B		E	E	E	E	
	A		E	E	E	E	
1P+16S+1P							

PART NUMBER	ROWS	SIGNAL				POWER							
		4	3	2	1	LP8	LP7	LP6	LP5	LP4	LP3	LP2	LP1
9-1892820-9	D	E	E	E	E	LP	LP	LP	LP	LP	LP	LP	LP
	C	E	E	E	E								
	B	E	E	E	E								
	A	E	E	E	E								
8LP + 16S													

PART NUMBER	ROWS	POWER		S	POWER	
		P4	P3	I	P2	P1
9-1892820-5	D	RM	RM	E	RM	RM
	C			-		
	B			-		
	A			E		
2ACP + 4S + 2ACP						

THIS DRAWING IS A CONTROLLED DOCUMENT.

DIMENSIONS: INCHES

TOLERANCES UNLESS OTHERWISE SPECIFIED:

0 PLC	±
1 PLC	±0.01
2 PLC	±0.005
3 PLC	±0.002
4 PLC	±0.001
ANGLES	±2°

MATERIAL: - FINISH: -

THIS DRAWING IS A CONTROLLED DOCUMENT. DWN: C.ZHOU 14MAY2012 CHK: S.ZHAO

APVD: -

NAME: SQUEEZE TO RELEASE CABLE RECEPTACLE ASSEMBLY W/ LATCHES AND KEY, MULTI-BEAM XLE

PRODUCT SPEC: 108-2157

APPLICATION SPEC: 114-13112

WEIGHT: -

CUSTOMER DRAWING

SCALE: 1:1 SHEET 13 OF 13 REV J5