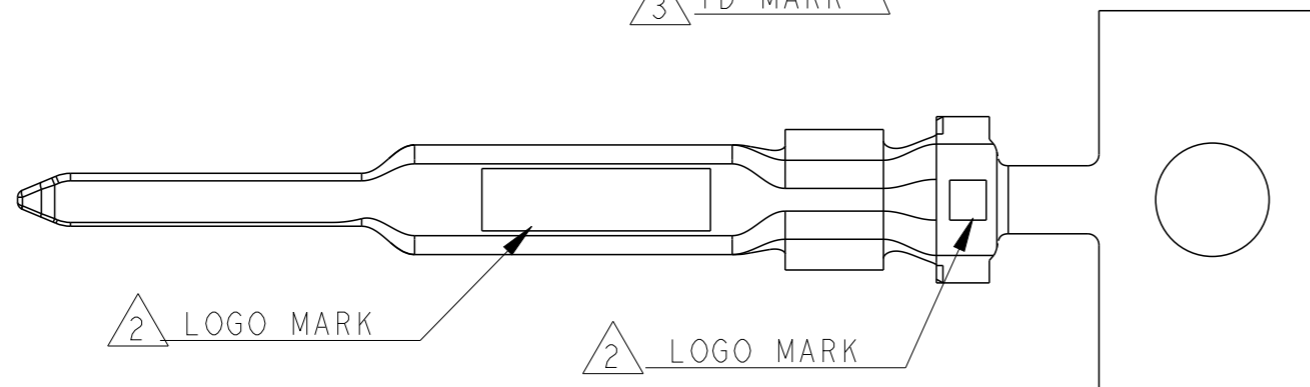
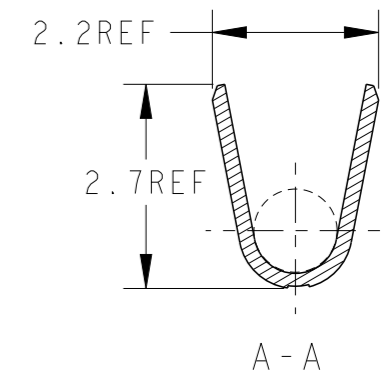
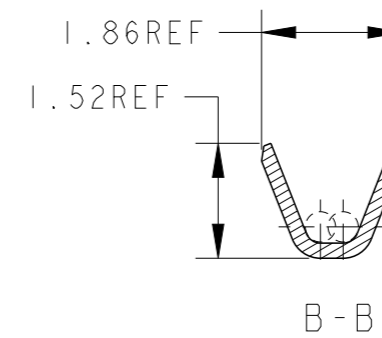
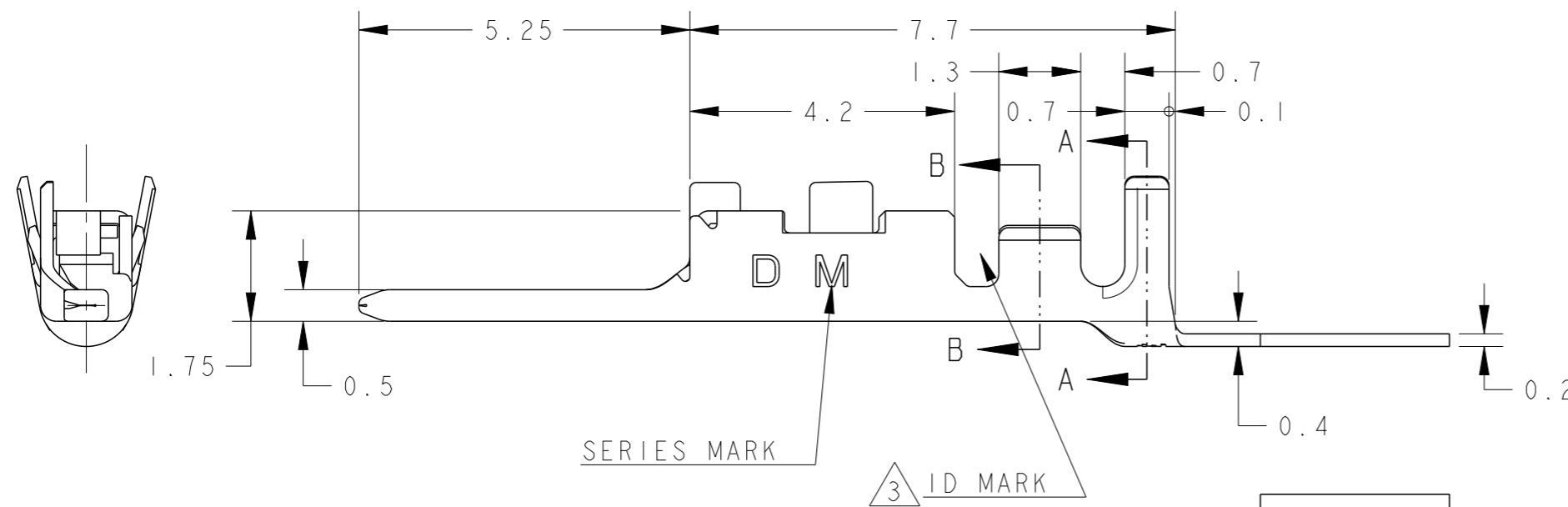
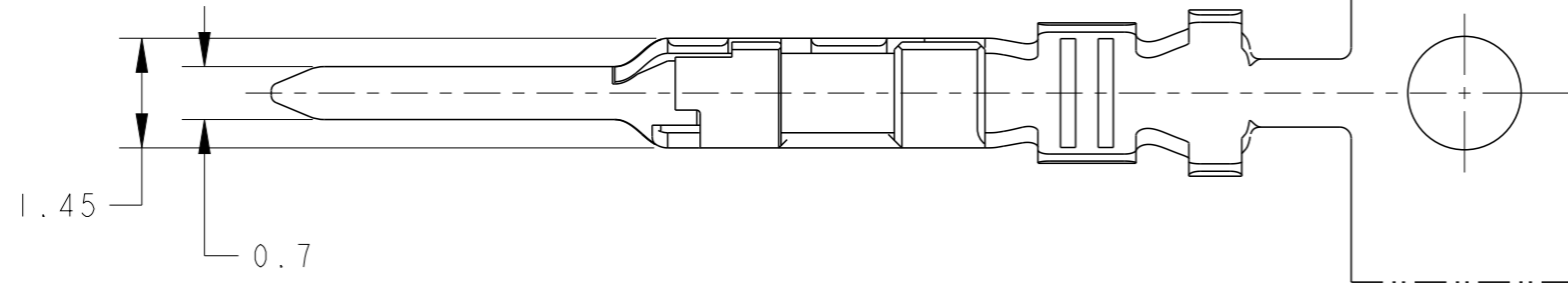


P	LTR	DESCRIPTION	DATE	DWN	APVD
C		REVISED PER ECR-19-016494	24OCT2019	F.Z	R.B
D		REVISED PER ECR-22-142637	16JUN2022	RI	TS
E		REVISED PER ECR-24-209089	16MAY2024	R.W	R.B

AS SHOWN: 1903112-2



D M 7	MATERIAL: COPPER ALLOY FINISH: CONTACT AREA Au 0.76umMIN, OVER Ni 1.27umMIN	1903112-8
D M 4	MATERIAL: COPPER ALLOY FINISH: CONTACT AREA Au 0.2umMIN, OVER Ni 1.27umMIN	1903112-4
D M	MATERIAL: COPPER ALLOY FINISH: CONTACT AREA Au 0.38umMIN, OVER Ni 1.27umMIN	1903112-2
SERIES MARK	MATERIAL	PART NO

WIRE RANGE AWG#28~#22  
mm<sup>2</sup> 0.08~0.38 INSULATION DIA  
Ø1.08~Ø1.6

- 1. THE SHAPE, SIZE AND POSITION OF THE CHARACTER SHOW THE OUTLINE. THEY DON'T SHOW DETAILS.
- 2 ALTERNATIVE TE LOGO FOR DIFFERENT DIE.
- 3 ALTERNATIVE ID MARK, WITH "■" OR NO MARK.

THIS DRAWING IS A CONTROLLED DOCUMENT.

DIMENSIONS: mm	TOLERANCES UNLESS OTHERWISE SPECIFIED: ±0.3, ±3°
	0 PLC ±
	1 PLC ±0.5
	2 PLC ±
	3 PLC ±
	4 PLC ±
	ANGLES ±
MATERIAL SEE TABLE	FINISH SEE TABLE

DWN M. MAEBASHI	11APR2006
CHK T. KUDO	11APR2006
APVD D. MITSUGI	11APR2006
PRODUCT SPEC	108-78268
APPLICATION SPEC	114-5377
WEIGHT	0.126 g

**TE** TE Connectivity

NAME  
DYNAMIC D1000 SERIES  
TAB CONTACT Au M-TYPE REEL

SIZE	CAGE CODE	DRAWING NO	RESTRICTED TO
A3	00779	C-1903112	

CUSTOMER DRAWING SCALE 10:1 SHEET 1 OF 1 REV E