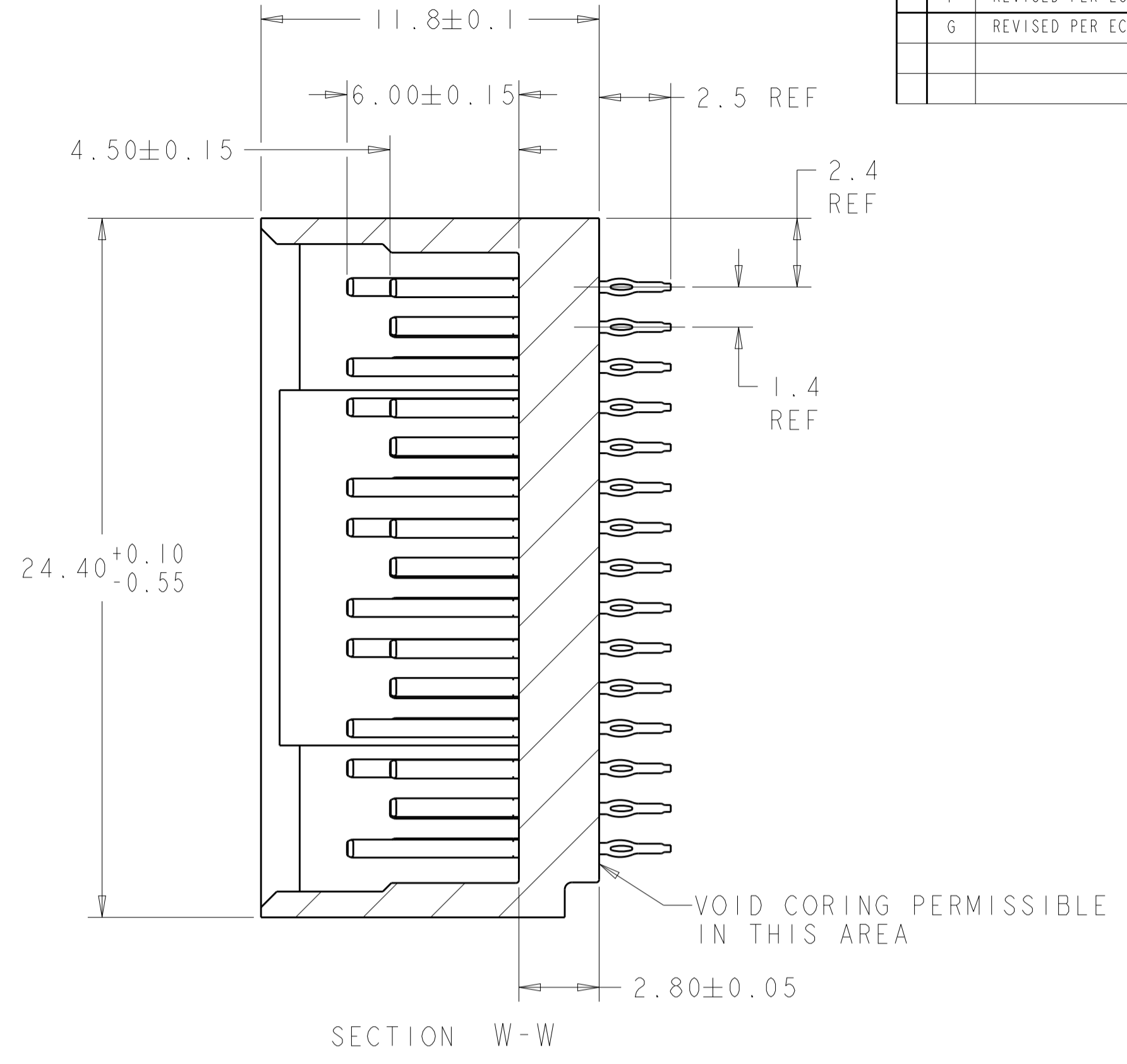
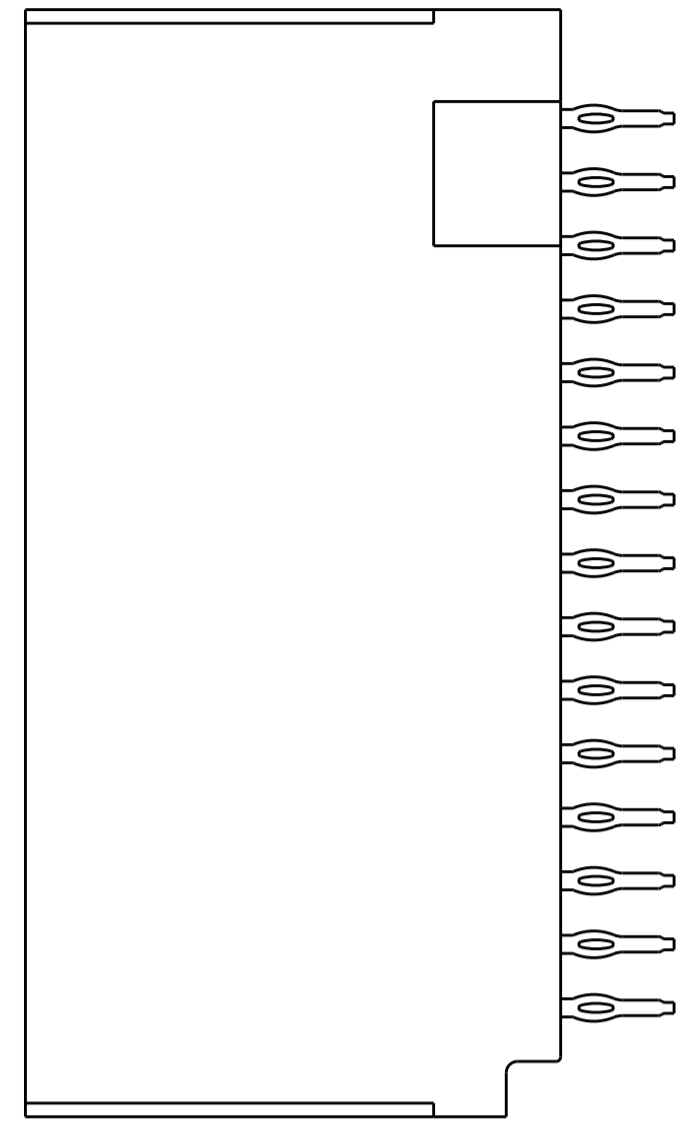
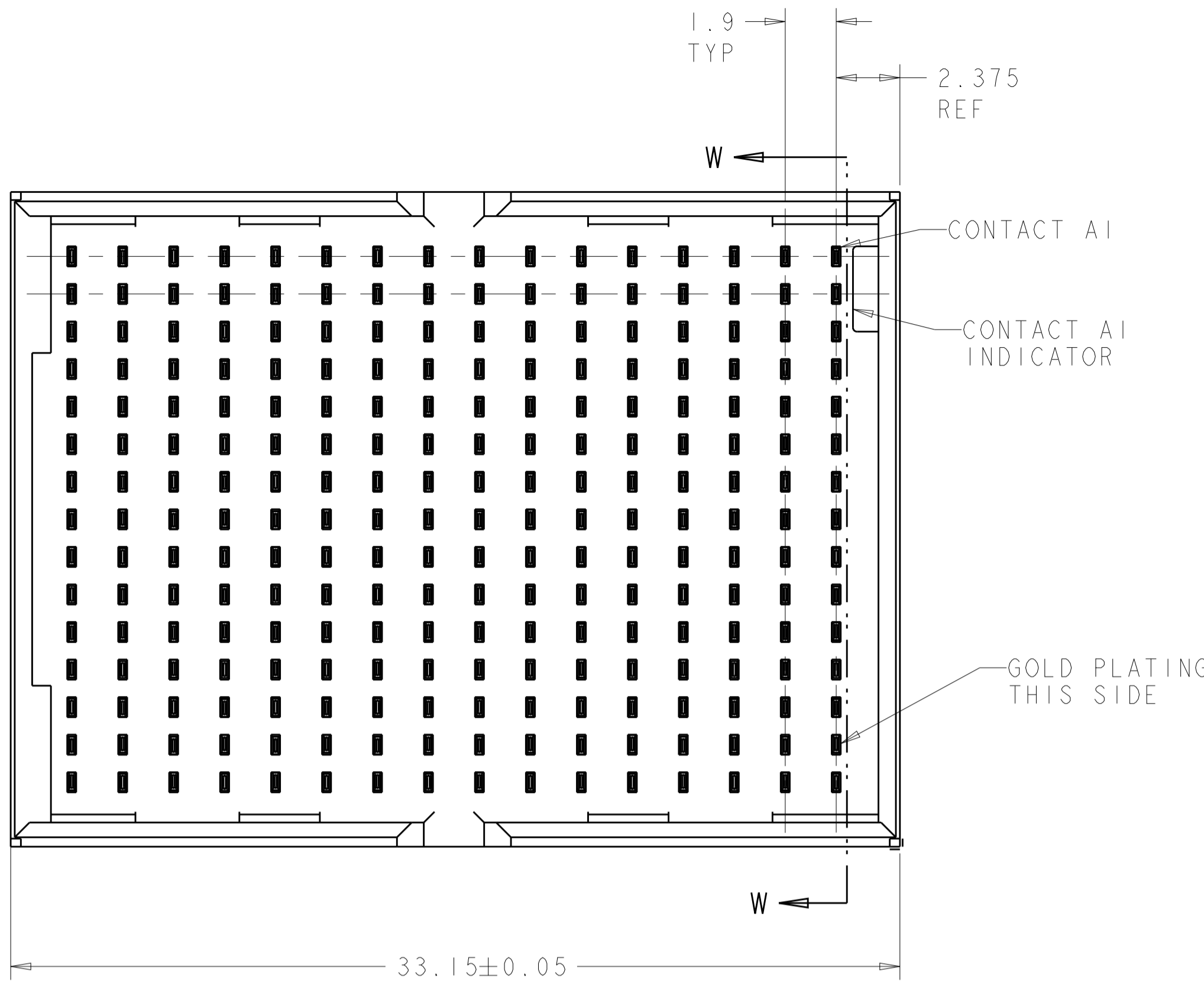
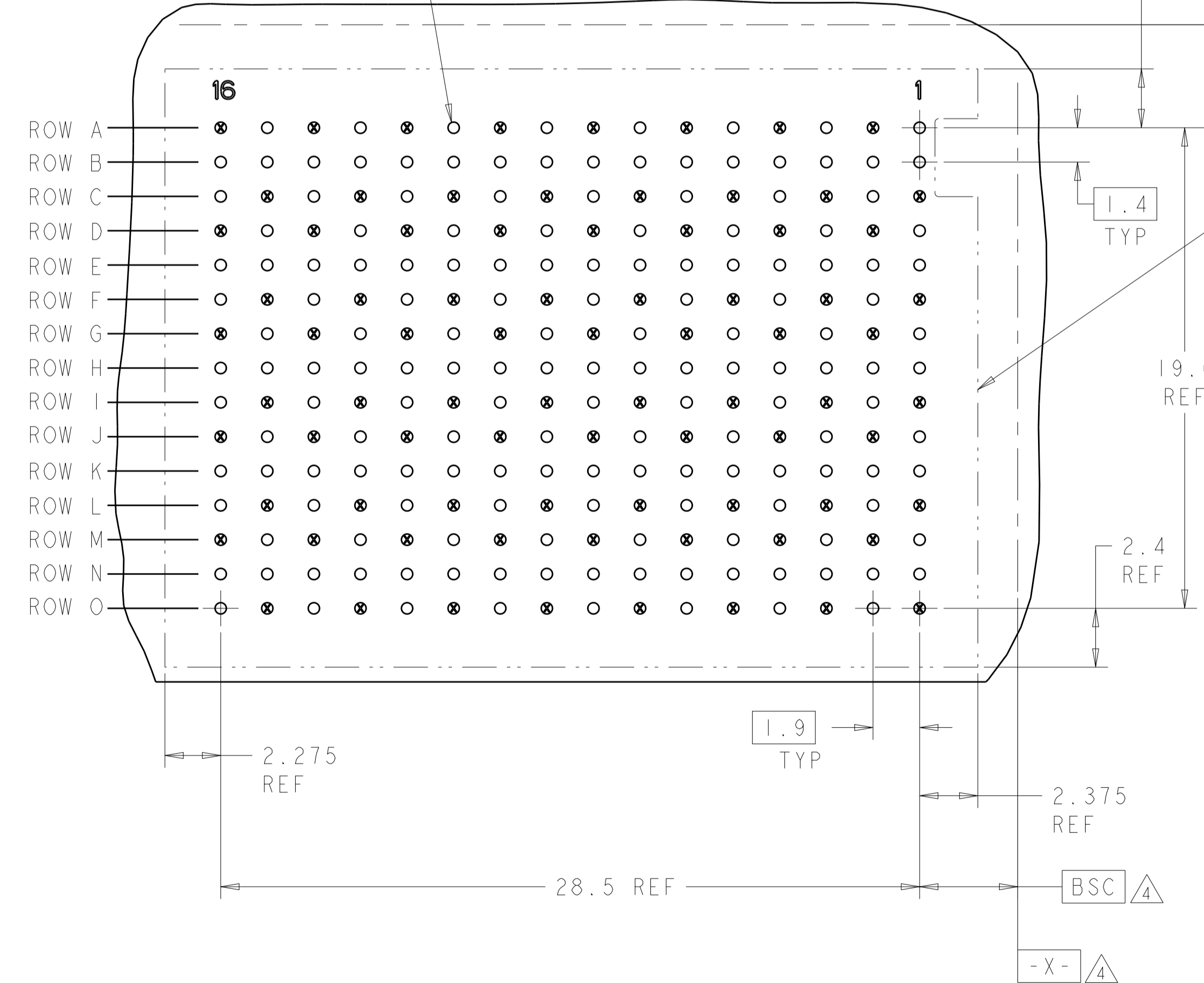


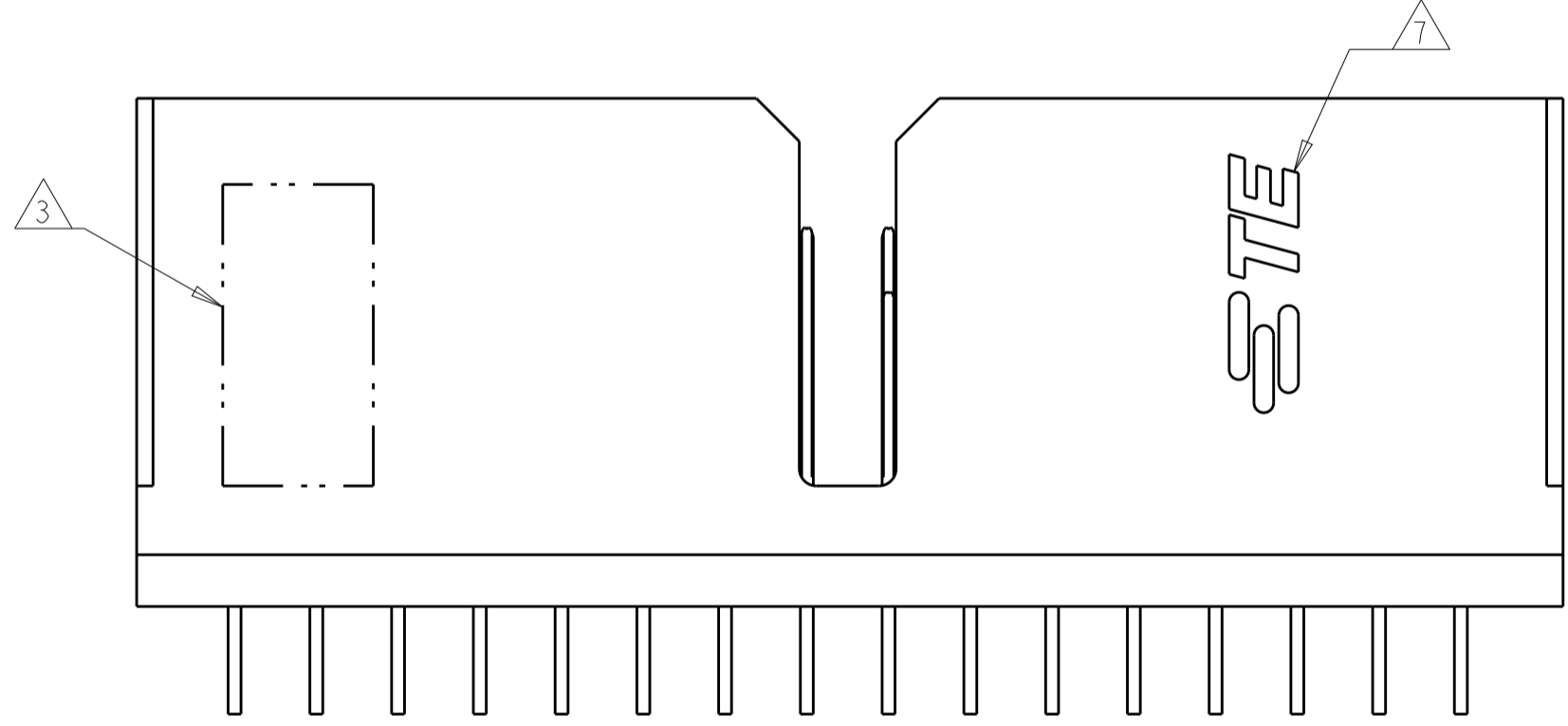
LOC	DIST	REVISIONS			
P	LTN	DESCRIPTION	DATE	DWN	APVD
F		REVISED PER ECO-13-010626	31JUL2013	KH	RP
G		REVISED PER ECO-19-009248	04JUL2019	AP	SY



FINISHED HOLE SIZE AND PLATED THRU HOLES



- △ MATERIAL:
CONTACT - PHOS BRONZE
HOUSING - LCP, UL 94V-0, COLOR - BLACK
- △ FINISH:
CONTACT AREA FINISH CONFORMS TO THE REQUIREMENTS OF TE PRODUCT SPECIFICATION 108-2303; BASED ON TELCORDIA GR-1217-CORE FOR SYSTEM QUALITY LEVEL III, APPLICATIONS IN CONTROLLED ENVIRONMENTS (CENTRAL OFFICE).
COMPLIANT PIN AREA- 0.5µm MIN MATTE TIN OVER 1.27µm MIN NICKEL.
- △ CONNECTOR MARKED WITH PART NUMBER, DATE CODE AND STANDARD IN APPROXIMATE AREA SHOWN
- △ DATUMS AND BASIC DIMENSIONS ESTABLISHED BY CUSTOMER.
- 5. CONTACT AREA LUBRICATED WITH BELLCORE APPROVED LUBRICANT. TECHNICAL REFERENCE GR-1217-CORE, ISSUE 1, NOVEMBER 1995.
- △ REFERENCE APPLICATION SPEC 114-13202 FOR RECOMMENDED PLATED THRU HOLE DIAMETER AND PLATING THICKNESSES.
- △ SHOWN LOGO OR OTHER TE OWNED LOGOS IN APPROXIMATE AREA.



○ = SIGNAL
⊗ = GROUND
RECOMMENDED PC BOARD LAYOUT BACKPLANE, COMPONENT SIDE SHOWN
SCALE 6:1

1934332-1
PART NUMBER

THIS DRAWING IS A CONTROLLED DOCUMENT.		DWN B. MCMASTER 06JUN2007	1934332-1	
DIMENSIONS:		CHK W. DAVIS 06JUN2007	PART NUMBER	
mm	TOLERANCES UNLESS OTHERWISE SPECIFIED:	APVD W. DAVIS 06JUN2007	NAME HEADER ASSEMBLY, DOUBLE WALL, 5 PAIR 16 COLUMN TinMan	
0 PLC	±	PRODUCT SPEC	SIZE A100779C=1934332	
1 PLC	±	APPLICATION SPEC	RESTRICTED TO	
2 PLC	±	WEIGHT	SCALE 6:1 SHEET 1 OF 1 REV G	
3 PLC	±	CUSTOMER DRAWING		
4 PLC	±			
ANGLES	±			
FINISH				