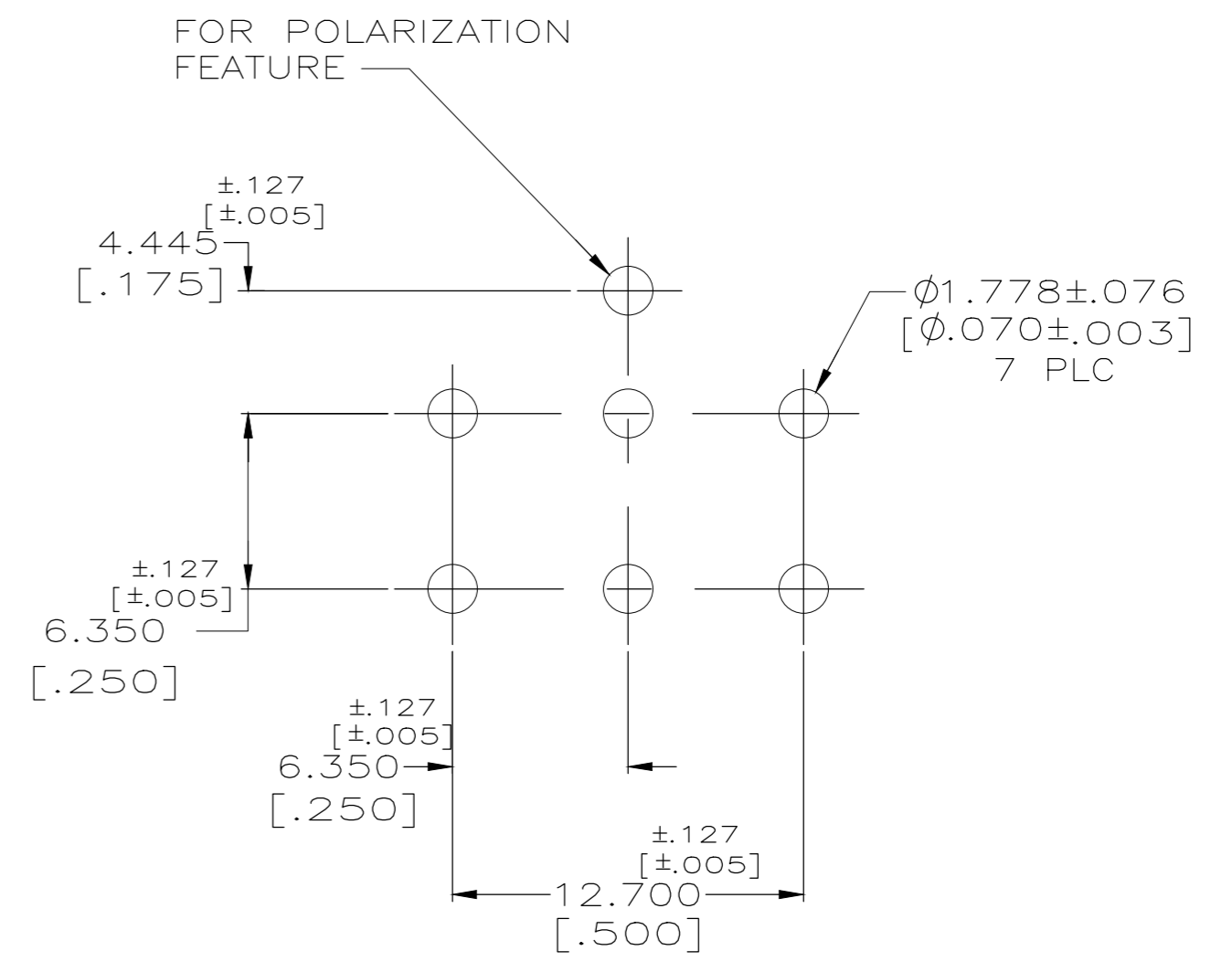
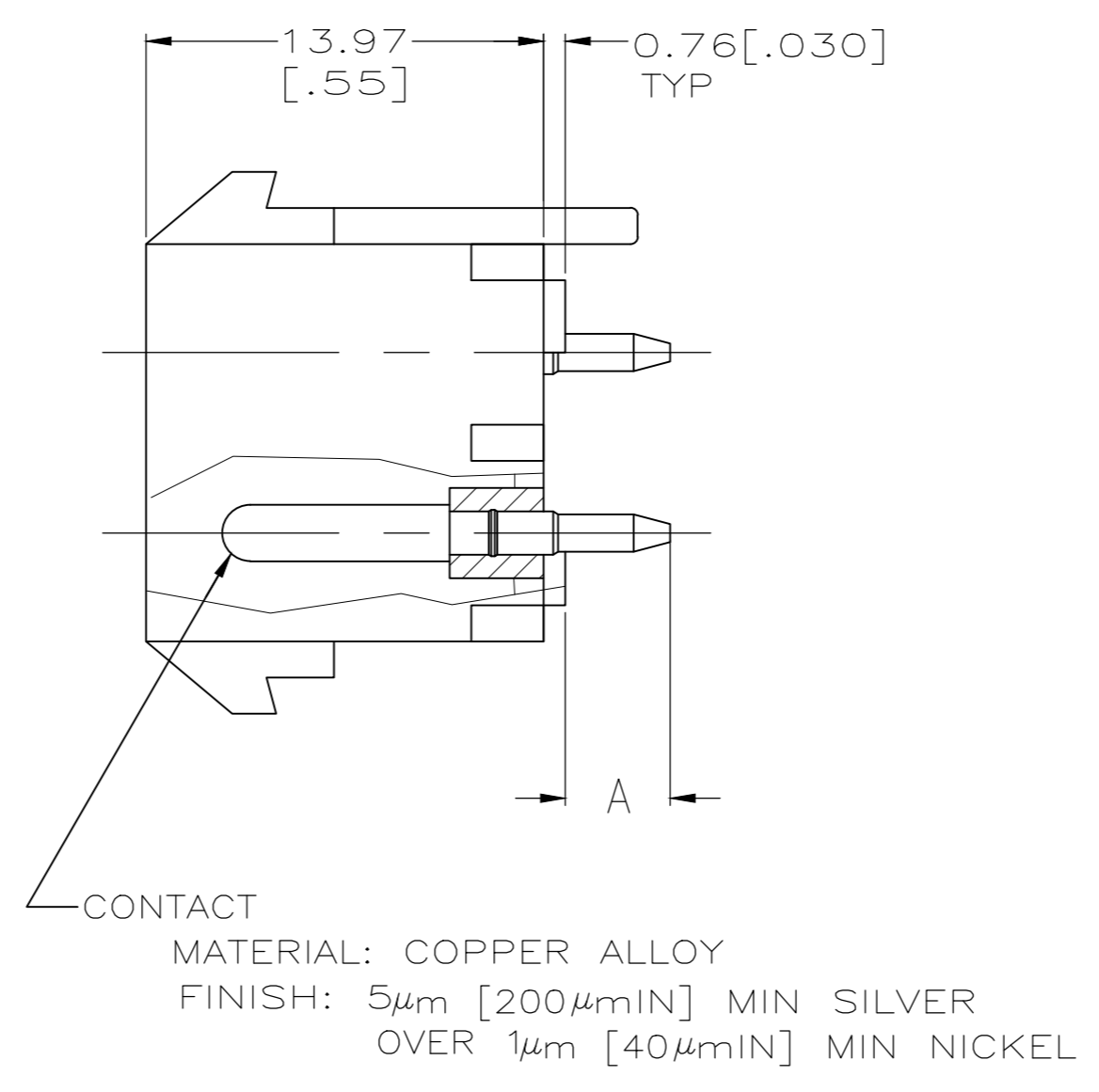
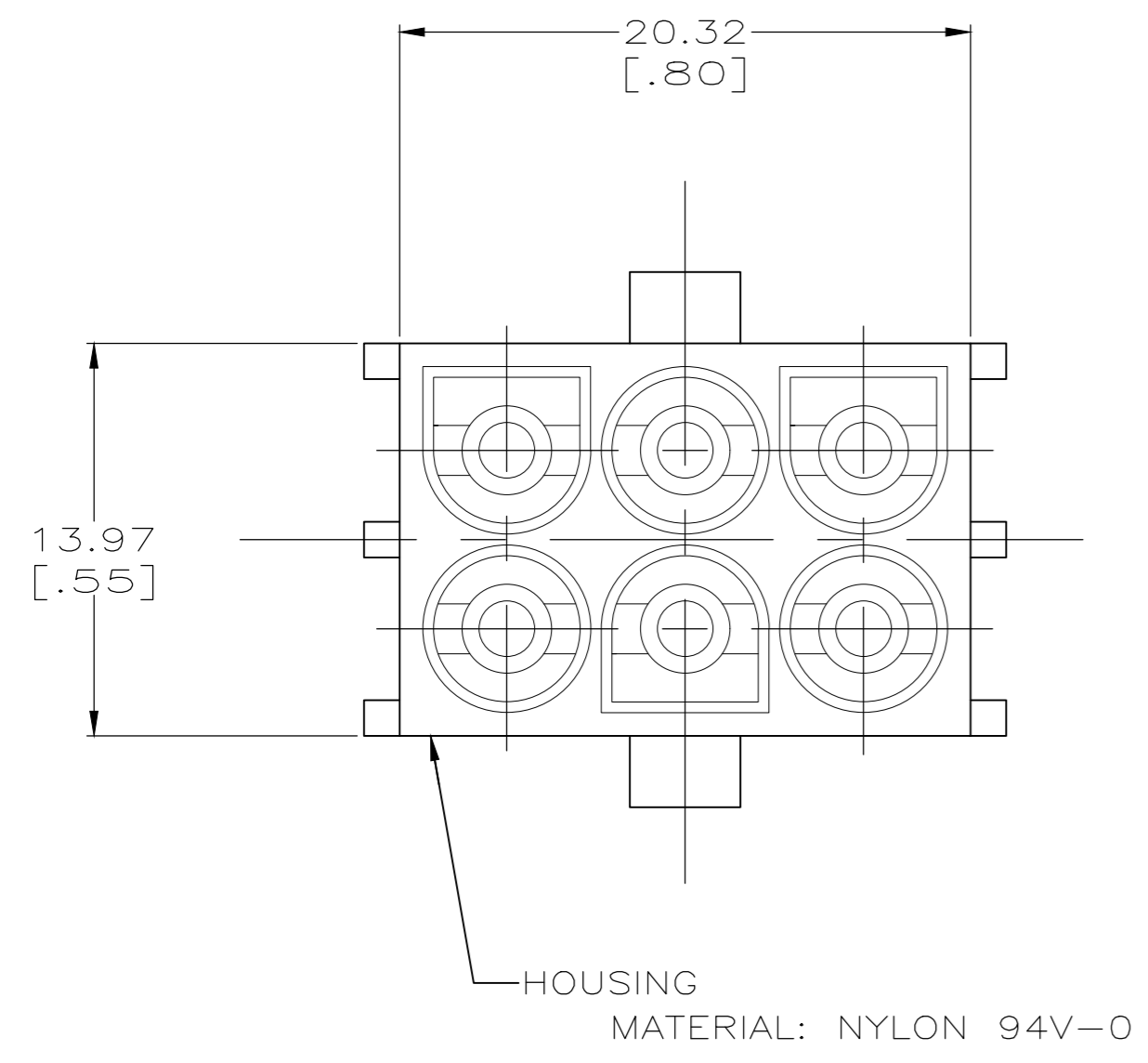


- MATES WITH MATE-N-LOK II PLUG CONNECTOR USING PART NUMBER 193797-1 OR 193842-1 SOCKET CONTACTS.
 - ALL DIMENSIONS ARE REFERENCE ONLY EXCEPT P.C. LAYOUT.
- 3** OBSOLETE PARTS: OBSOLETE CIS STREAMLINING PER D.RENAUD/D.SINISI



3 OBSOLETE	TUBE	1.57 [.062]	3.68 [.145]	194002-3
OBSOLETE	BULK	3.17 [.125]	5.20 [.205]	194002-2
	BULK	1.57 [.062]	3.68 [.145]	194002-1
PACKAGING	PC BOARD THICKNESS	A		PART NUMBER

WIRE RANGE	Finish	Material	Part Number
INSUL RANGE	DIMENSIONS: mm DIMENSIONS APPLY BEFORE PLATING TOLERANCES UNLESS OTHERWISE SPECIFIED:		TE Connectivity NAME: HIGH CURRENT VERT. PIN HEADER ASSY; MATE-N-LOK II, 6 CIRCUIT
SURF AREA	2 PLC ±- 3 PLC ±- ANGLES ±- CHK 16/MAY/94 DWN 06/SEP/94 APVD 16/MAY/94 C. M. SVOBODA	SCALE: - SIZE: A2 DRAWING NO: 194002 SHEET: 1 OF 1	

						APPL FEED	TRIMMING BURR
						WDW	IDW
H2		REVISE PER ECO-19-010776	09OCT2020	OL	SZ	REELING	
P	LTR	REVISION RECORD	DATE	DWN	APVD	SPLICE	

THIS INFORMATION IS CONFIDENTIAL AND PROPRIETARY TO TE CONNECTIVITY AND ITS WORLDWIDE SUBSIDIARIES AND AFFILIATES (TE). IT MAY NOT BE DISCLOSED TO ANYONE OTHER THAN TE PERSONNEL, WITHOUT AUTHORIZATION FROM TE (www.te.com)