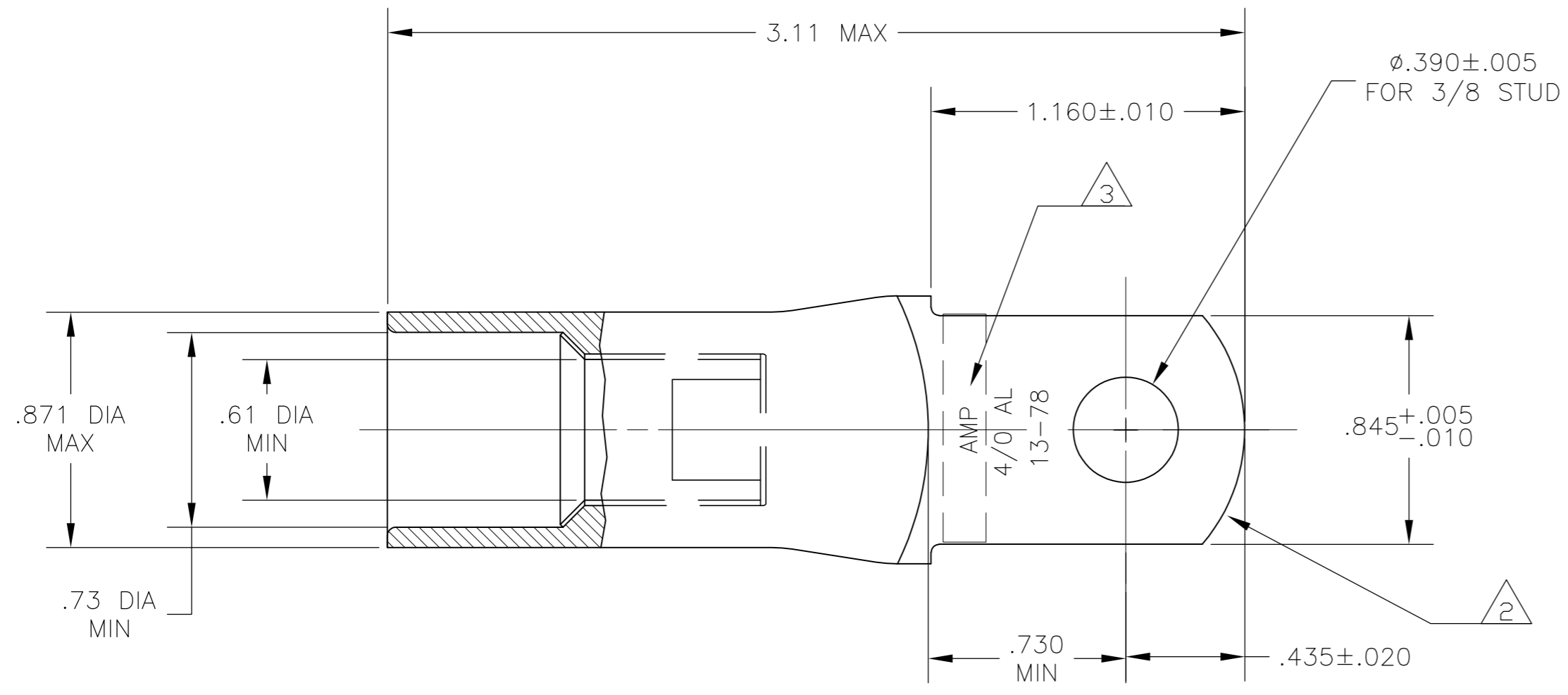
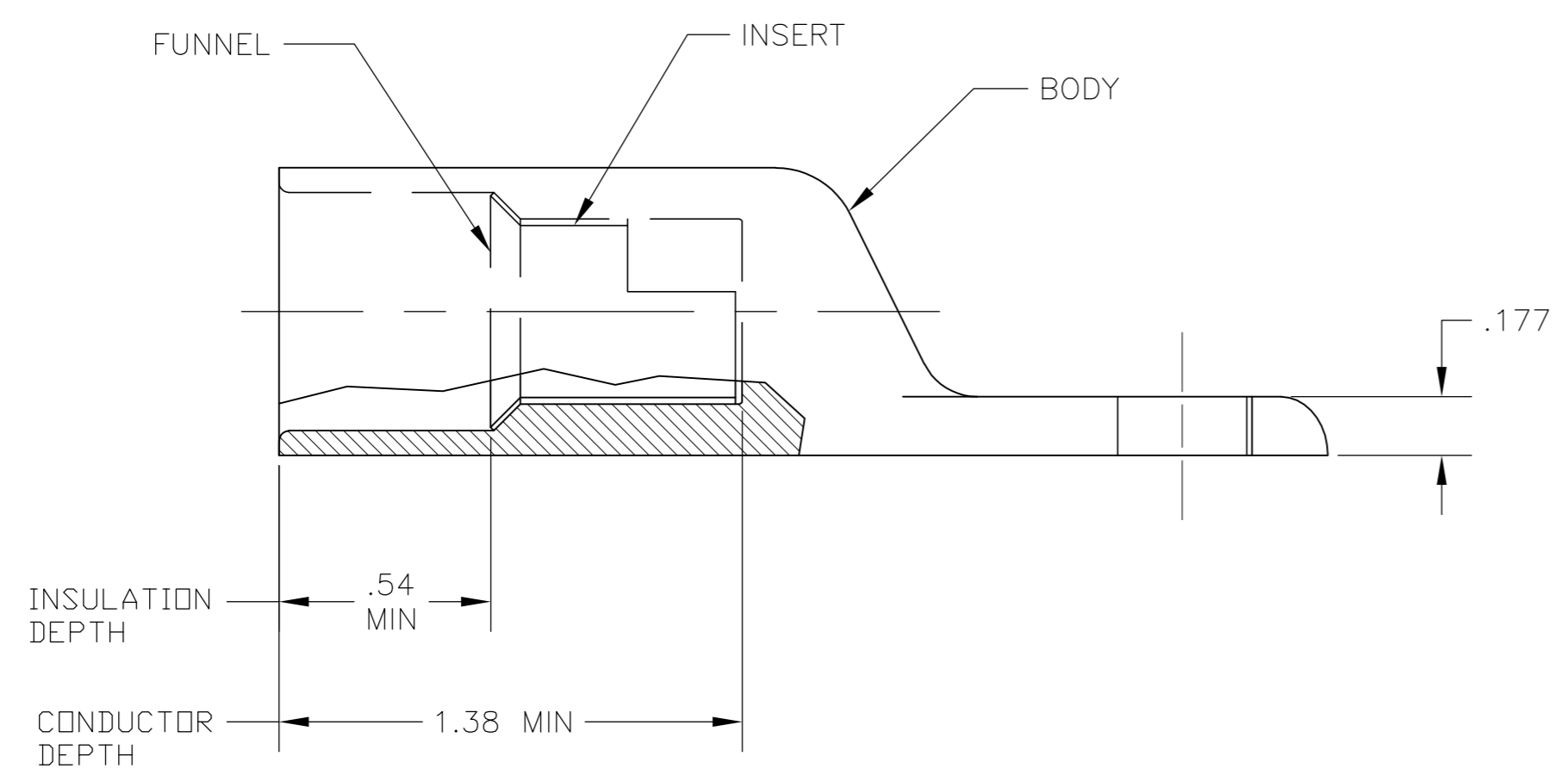


THIS DRAWING IS UNPUBLISHED. RELEASED FOR PUBLICATION
 © COPYRIGHT - By - ALL RIGHTS RESERVED.

LOC		DIST		REVISIONS			
P	LTR	DESCRIPTION		DATE	DWN	APVD	
	D	REV PER ECO 15-005109		23APR15	KG	PD	



- 1 WIRE INSULATION: .590-.683 DIA
- 2 THE TONGUE RADIUS FEATURE IS NOT A TOOLING CONTROLLED DIMENSION AND MAY NOT BE A TRUE RADIUS.
- 3 "AMP 4/0 AL 13-78" STAMPED. SIZE AND LOCATION APPROX AS SHOWN



BODY: COPPER ASTM-B187 ANNEALED TIN PL PER ASTM B545, .000150 MIN THK INSERT & FUNNEL: BRASS ASTM B36 NICKEL PL SAE AMS QQ-N-290A, DATED JULY 2000, .000100 MIN THK	1958035-1
MATERIAL & FINISH	PART NO.

THIS DRAWING IS A CONTROLLED DOCUMENT.		DWN	J.RUTH	18OCT06	TE Connectivity WIRE TERMINAL, RING, NARROW TONGUE, SEALED COPALUM, WIRE SIZE: 4/0 AL
DIMENSIONS: INCHES		CHK	MJ SPICER	18OCT06	
TOLERANCES UNLESS OTHERWISE SPECIFIED:		APVD	MJ SPICER	18OCT06	
0 PLC ± - 1 PLC ± - 2 PLC ± .01 3 PLC ± .008 4 PLC ± - ANGLES ± -		PRODUCT SPEC			
MATERIAL	SEE TABLE	FINISH	SEE TABLE	WEIGHT	-
CUSTOMER DRAWING		SCALE	2:1	SHEET	1 OF 1
		REV	D		