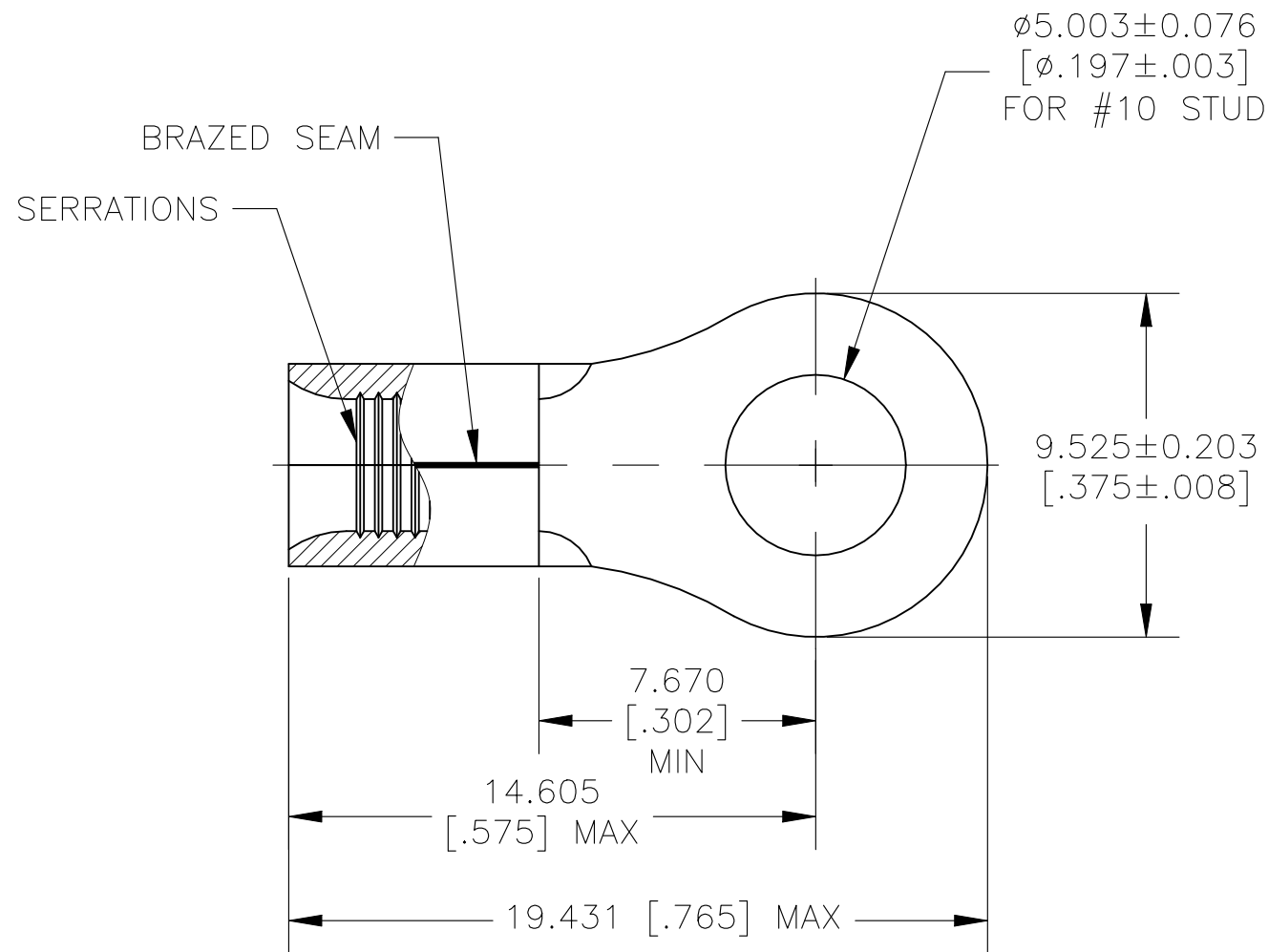


REVISIONS				
P	LTR	DESCRIPTION	DATE	APVD
	B	REVISED PER ECO-19-009164	23JUN2020	SJ DR



1. WIRE RANGE: 12-10 AWG. STANDARD WIRE CROSS SECTIONAL AREA RANGE: 5,180-13,100 CIRCULAR MILS, STRANDED
2. TERMINAL BODY MATERIAL THK IS 0.990±0.0762 [.039±.003]
3. RECOMMENDED OPERATING TEMP -55°C(-67°F) TO +200°C(392°F) FOR HEAT SHRINK TUBING.
4. HEAT SHRINK TUBING SHELF LIFE OF 18 MONTHS FROM DATE CODE ON LABEL.

△ 5 TERMINAL BODY PRODUCT SPECIFICATION 108-32046. APPLICATION SPECIFICATION 114-2162.

1	2-1197130-7	HIGH AND LOW TEMPERATURE CROSS LINKED FLUOROPOLYMER HEAT SHRINK TUBING 6.35 [.250] MIN ID X 25.40±2.03 [1.000±.080], RT-555-1/4-0-SP
1	323062	TERMINAL BODY: COPPER PER ASTM B152 ANNEALED FINISH: NICKEL PLATE 0.00762 [.000300] MIN EXT THK PER SAE AMS QQ-N-290
-1	PART NO	DESCRIPTION

THIS DRAWING IS A CONTROLLED DOCUMENT.		DWN JR RUTH 06JUN07	STE TE Connectivity	
DIMENSIONS: MM [INCHES]		CHK MJ SPICER 06JUN07		
TOLERANCES UNLESS OTHERWISE SPECIFIED:		APVD MJ SPICER 06JUN07	NAME	
0 PLC ± -		PRODUCT SPEC	HEAT RESISTANT TERMINAL KIT	
1 PLC ± -		△ 5	WIRE SIZE: 12-10 AWG	
2 PLC ± -		APPLICATION SPEC	-	
3 PLC ± 0.127 [.005]		△ 5	SIZE	CAGE CODE
4 PLC ± -			A3	00779
ANGLES ± 1°			DRAWING NO	RESTRICTED TO
MATERIAL SEE TABLE		FINISH SEE TABLE	WEIGHT	SCALE
			-	1:1
			C=1958125	SHEET 1 OF 1
			CUSTOMER DRAWING	REV B