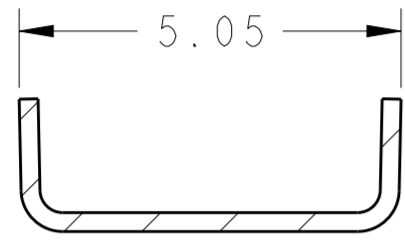
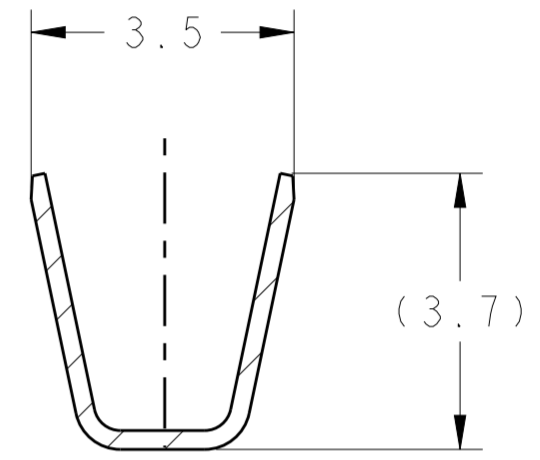
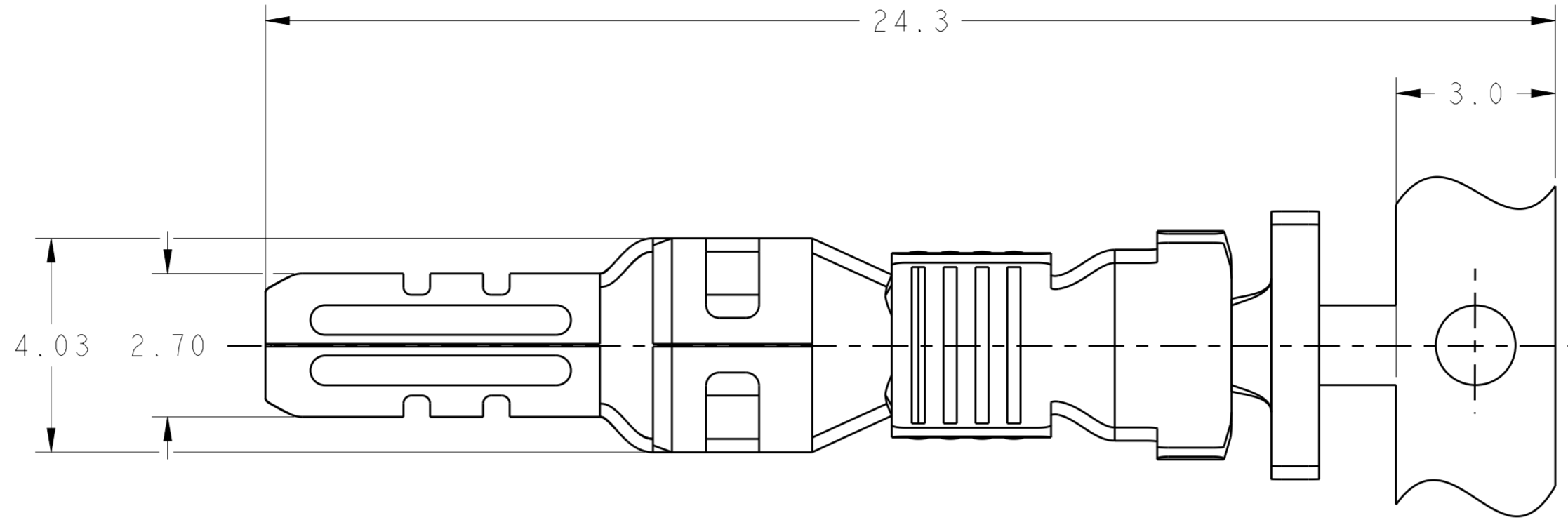


THIS DRAWING IS UNPUBLISHED. RELEASED FOR PUBLICATION 20
 © COPYRIGHT 20 BY - ALL RIGHTS RESERVED.

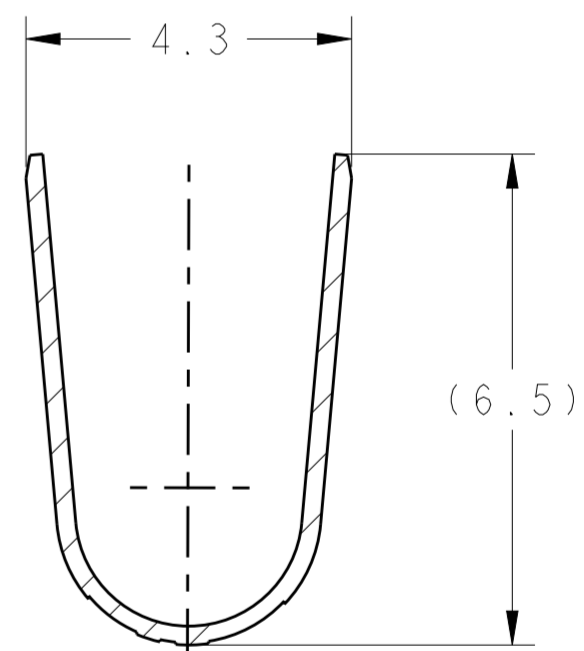
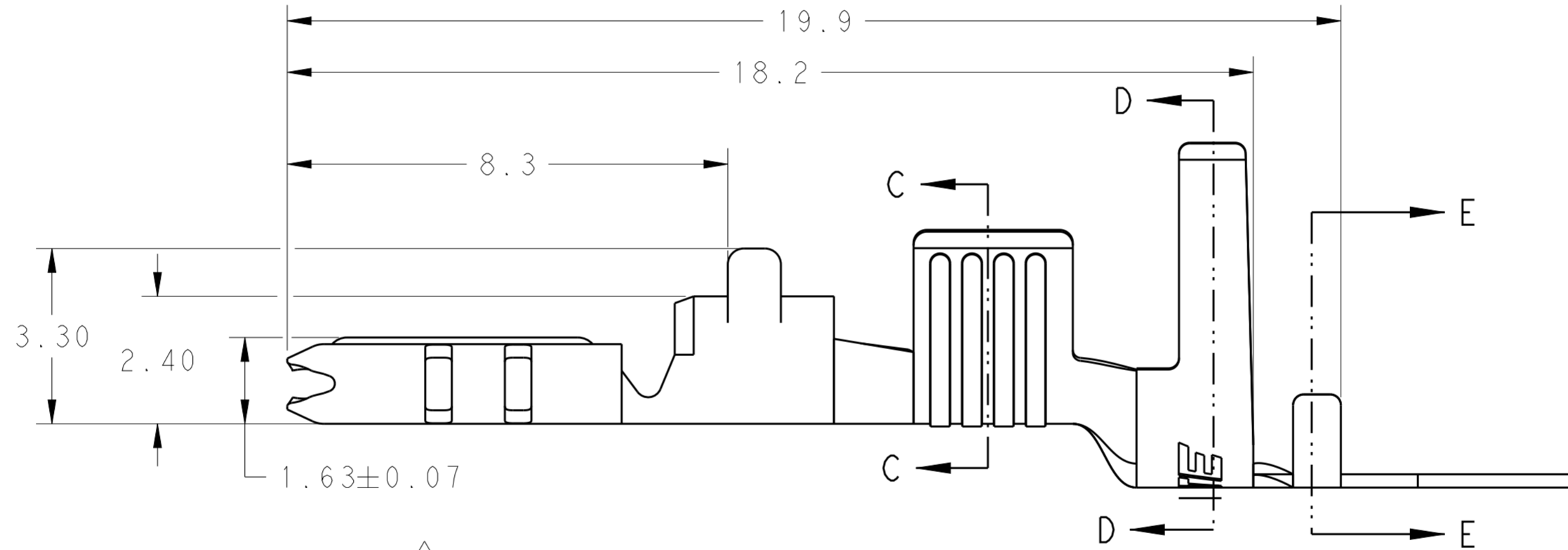
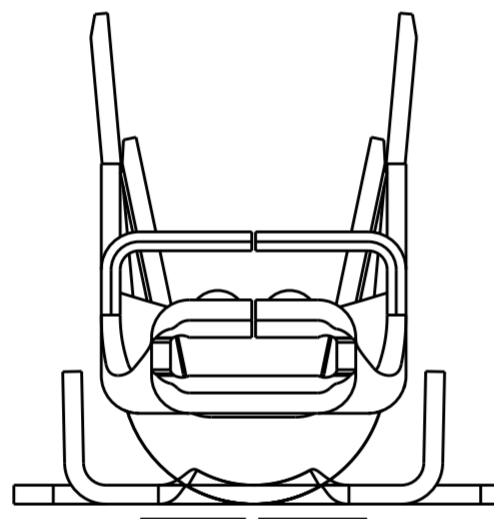
LOC	DIST	REVISIONS			
P	LTR	DESCRIPTION	DATE	DWN	APVD
ES	00				
	D2	REVISED PER ECR-16-017426	19DEC2016	BW	RS
	E	REVISED PER ECR-18-003963	05SEP2018	BKW	GJ
	E1	REVISED PER ECR-18-015112	01OCT2018	BDA	GJ
	E2	REVISED PER ECR-20-100297	10AUG2020	PJ	VS



SECTION E-E

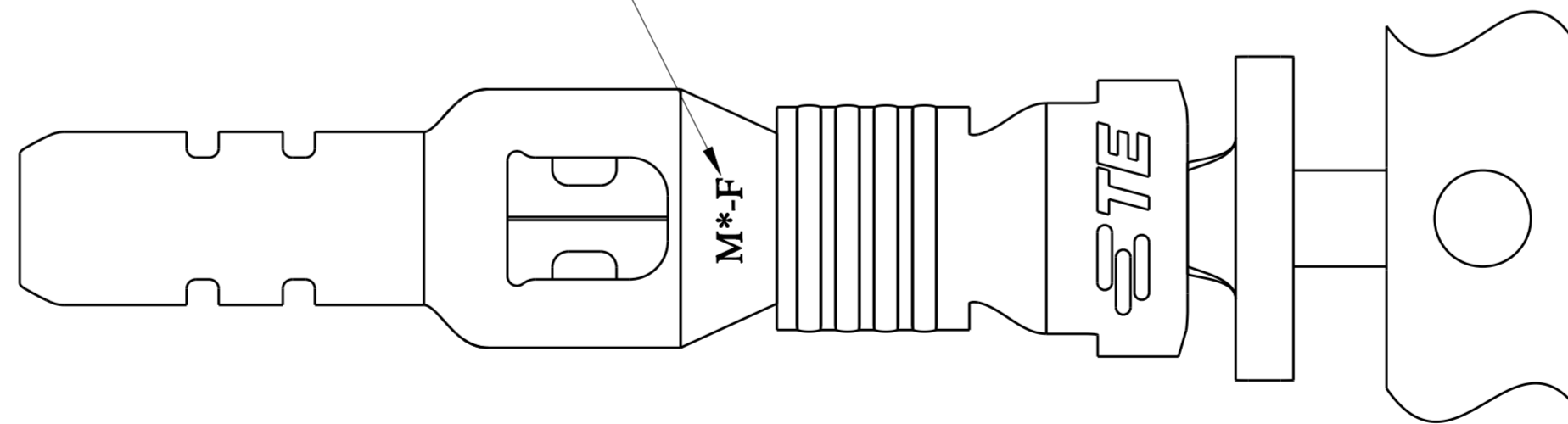


SECTION C-C



SECTION D-D

5 MATERIAL/SIZE MARK



- 1 MATERIAL: COPPER ALLOY, PRE TIN PLATING
- 2 RECOMMENDED WIRE RANGE: 2x18 AWG (TOTAL CMA 3160 ~ 3600) COPPER STRANDED
- 3 APPLICABLE INSULATION DIAMETER: 2.5 ~ 3.1 mm EACH WIRE
- 4 APPLICABLE MATED CAP HOUSING P/N:
 -1971772-/*-1971775-*/*-1971875-*/
 -2232263-/*-2232264-*/*-2232356-*

5 WIRE SIZE INDICATOR "F" = 2x18 AWG

6. This product has not completed validation testing.

SUPERCEDED BY 1971788-2

HIGH(150°C)	M0-F	1971788-2
STANDARD(105°C)	M4	1971788-1
TEMP. RATING	MATERIAL/SIZE MARK 5	PART NO

THIS DRAWING IS A CONTROLLED DOCUMENT.		DWN TOMMY WU 11JUL2012	STE TE Connectivity	
DIMENSIONS: mm		CHK HAPYE WU 11JUL2012		
TOLERANCES UNLESS OTHERWISE SPECIFIED:		APVD YUHHONG MAO 11JUL2012	NAME	
0 PLC	±0.5	PRODUCT SPEC	TAB CONTACT POWER TRIPLE LOCK	
1 PLC	±0.5	APPLICATION SPEC	SIZE	RESTRICTED TO
2 PLC	±0.30	114-106118	A2	-
3 PLC	±0.30	114-106118	CAGE CODE	DRAWING NO
4 PLC	±	Customer Drawing	G-1971788	SCALE 5:1 SHEET 1 OF 1 REV E2
ANGLES	±			
FINISH				