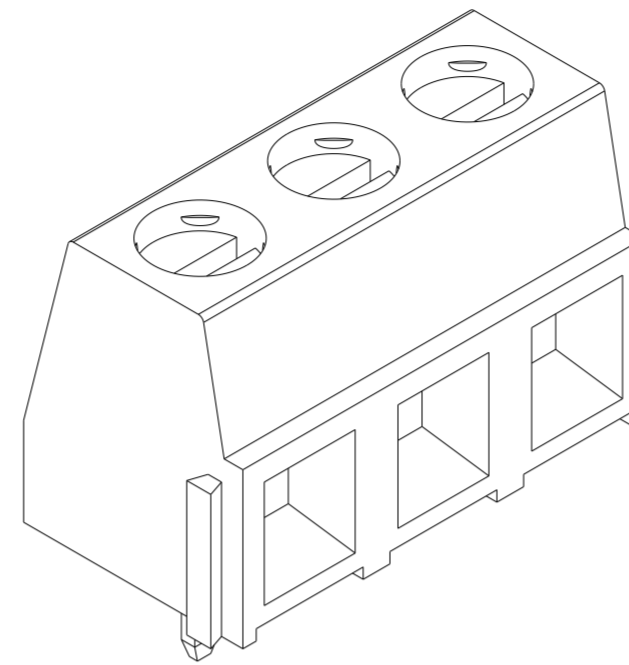
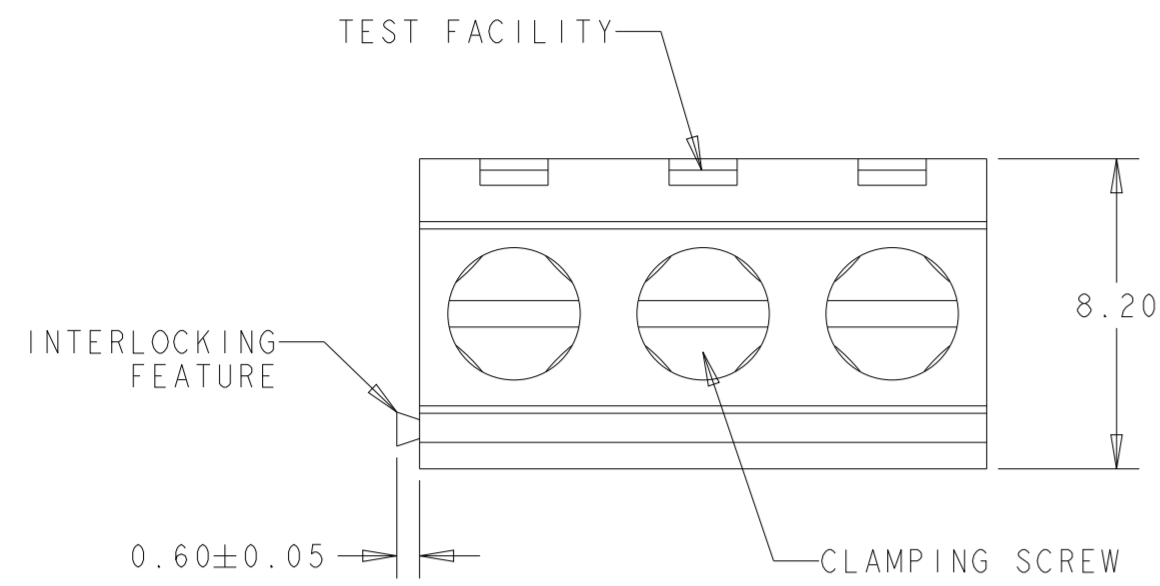
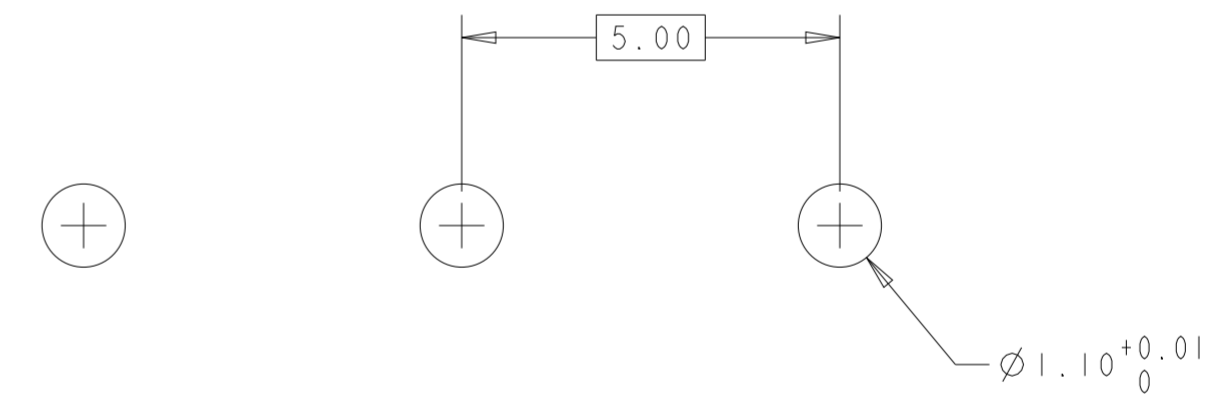
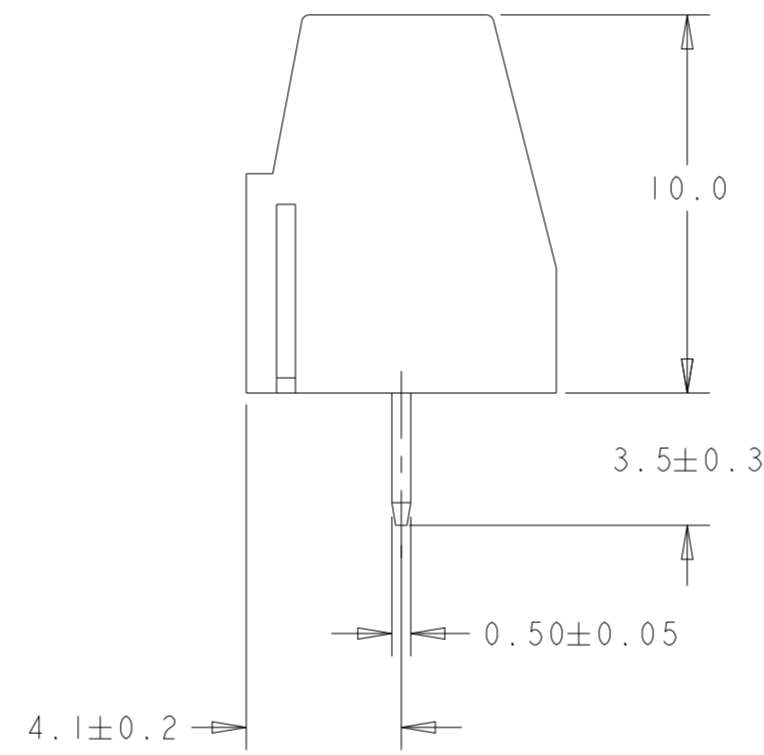
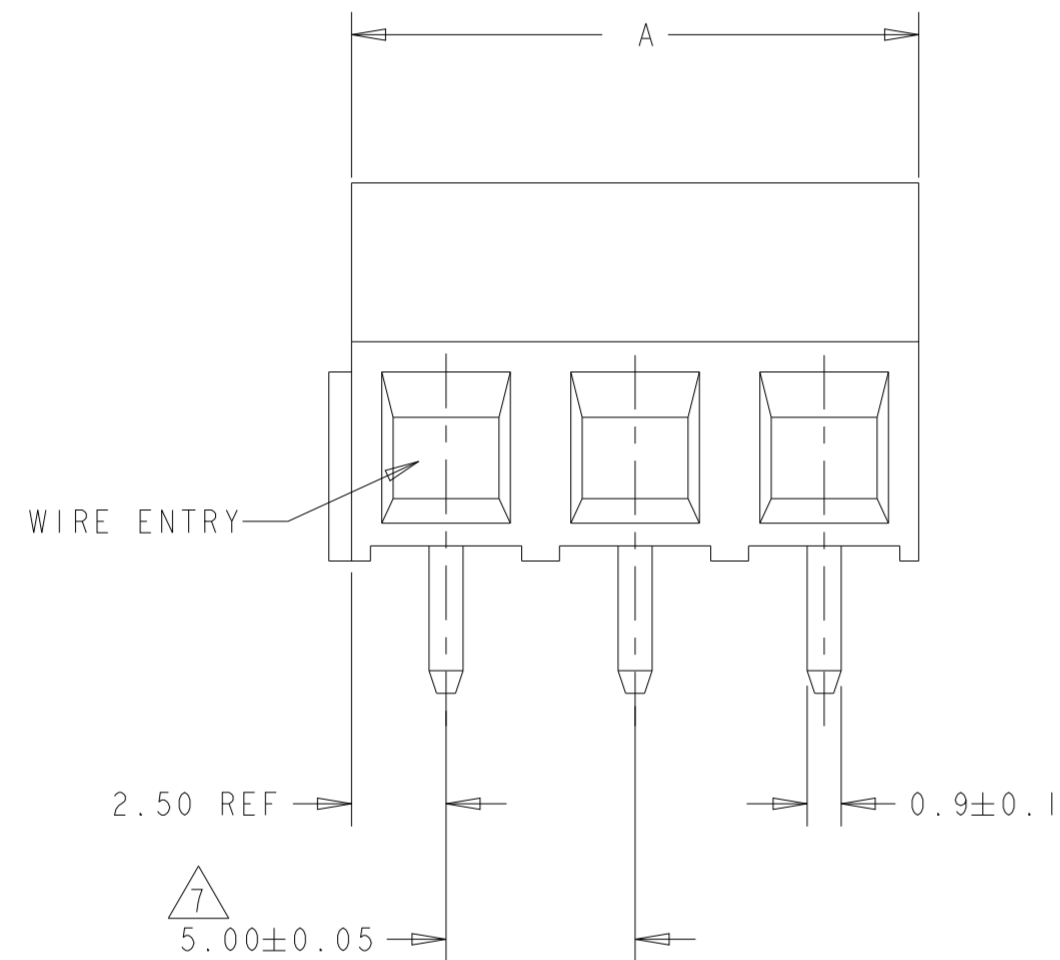


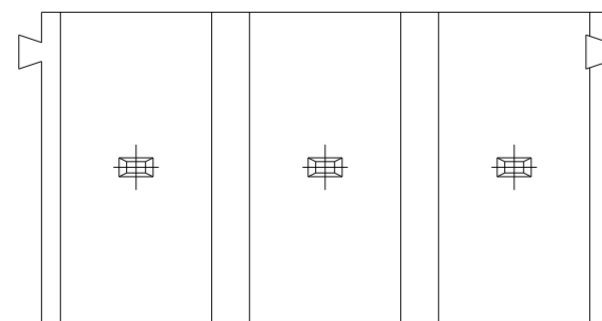
REVISIONS					
P	LTR	DESCRIPTION	DATE	DWN	APVD
A1		REVISED PER ECO-10-024403	01DEC2010	HMR	CR
A2		1986663-3 MADE OBSOLETE	27DEC2021	SCB	PS



- 1. MATERIAL AND FINISH
HOUSING: PA 6-6, U; 94V-0 RATED, COLOR: BLACK.
CLAMP: BRASS, NICKEL PLATED.
TERMINAL: BRASS, TIN PLATED.
CLAMPING SCREW: M3, BRASS, NICKEL PLATED.
 - 2. SUITABLE FOR 1.6-2.4mm PC BOARD THICKNESS.
 - 3. END-TO-END STACKABLE W/INTERLOCK WITHOUT LOSS OF CENTERLINE SPACING.
 - 4. WIRE SIZE RANGE: 16-30 AWG
 - 5. RECOGNIZED UNDER THE COMPONENT PROGRAM OF UNDERWRITERS LABORATORIES INC. FILE No E60677.
 - 6. IMO CERTIFICATE WITH SURVEILLANCE IN CONFORMITY WITH IEC 998-1/998-1-1.
7. NOT CUMULATIVE TOLERANCE.



RECOMMENDED PC BOARD LAYOUT



	30	6	1986663-6
OBSOLETE	15	3	1986663-3
	A	NO OF POSN	PART NUMBER

THIS DRAWING IS A CONTROLLED DOCUMENT.		DWN RAGHAVENDRA 11NOV2010	STE TE Connectivity	
DIMENSIONS: mm		CHK C. RICHARD 11NOV2010		
TOLERANCES UNLESS OTHERWISE SPECIFIED:		APVD C. RICHARD 11NOV2010	NAME TERMI-BLOK PCB MOUNT 90 3P	
0 PLC ±		PRODUCT SPEC	-	
1 PLC ±0.2		APPLICATION SPEC	-	
2 PLC ±0.15		WEIGHT	-	
3 PLC ±0.000		CUSTOMER DRAWING	SCALE 10:1 SHEET 1 OF 1 REV A2	
4 PLC ±0.000				
ANGLES ±2°				
FINISH				
MATERIAL				