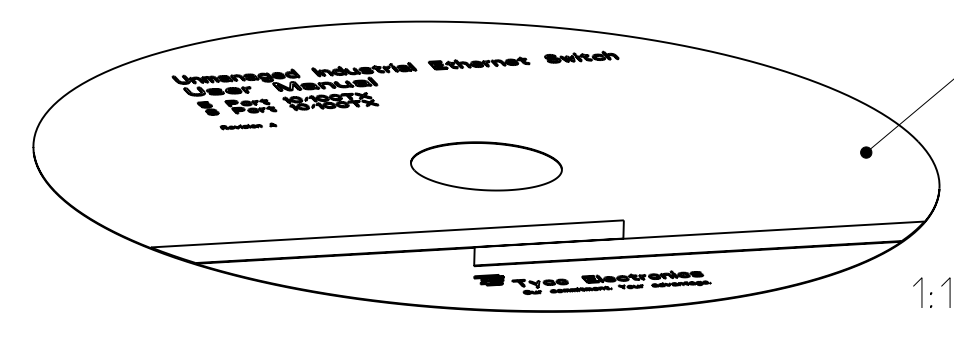
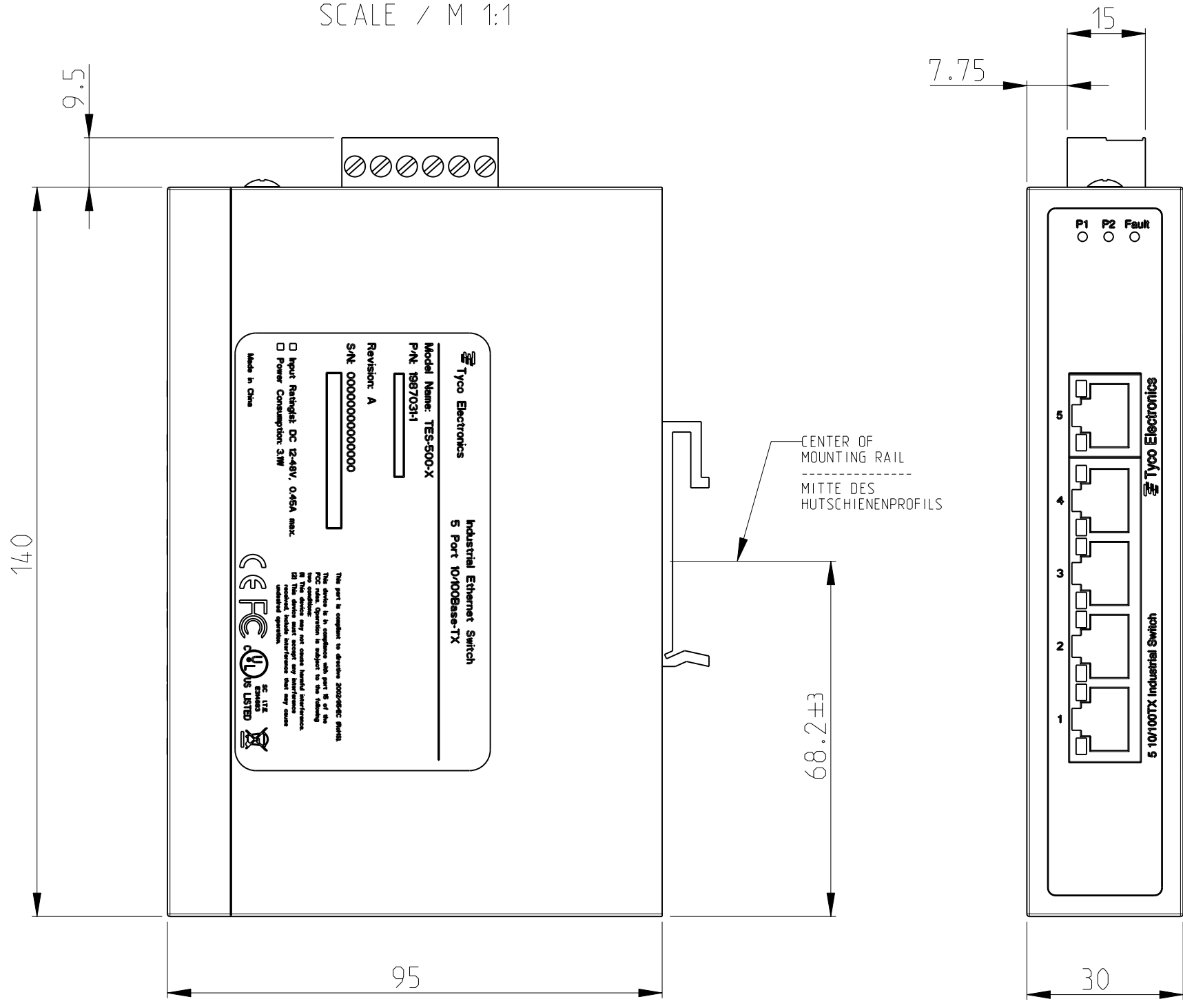


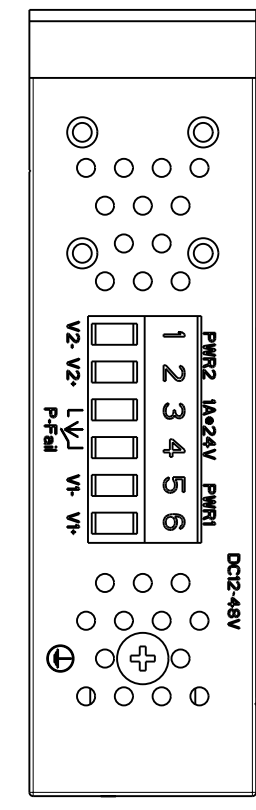
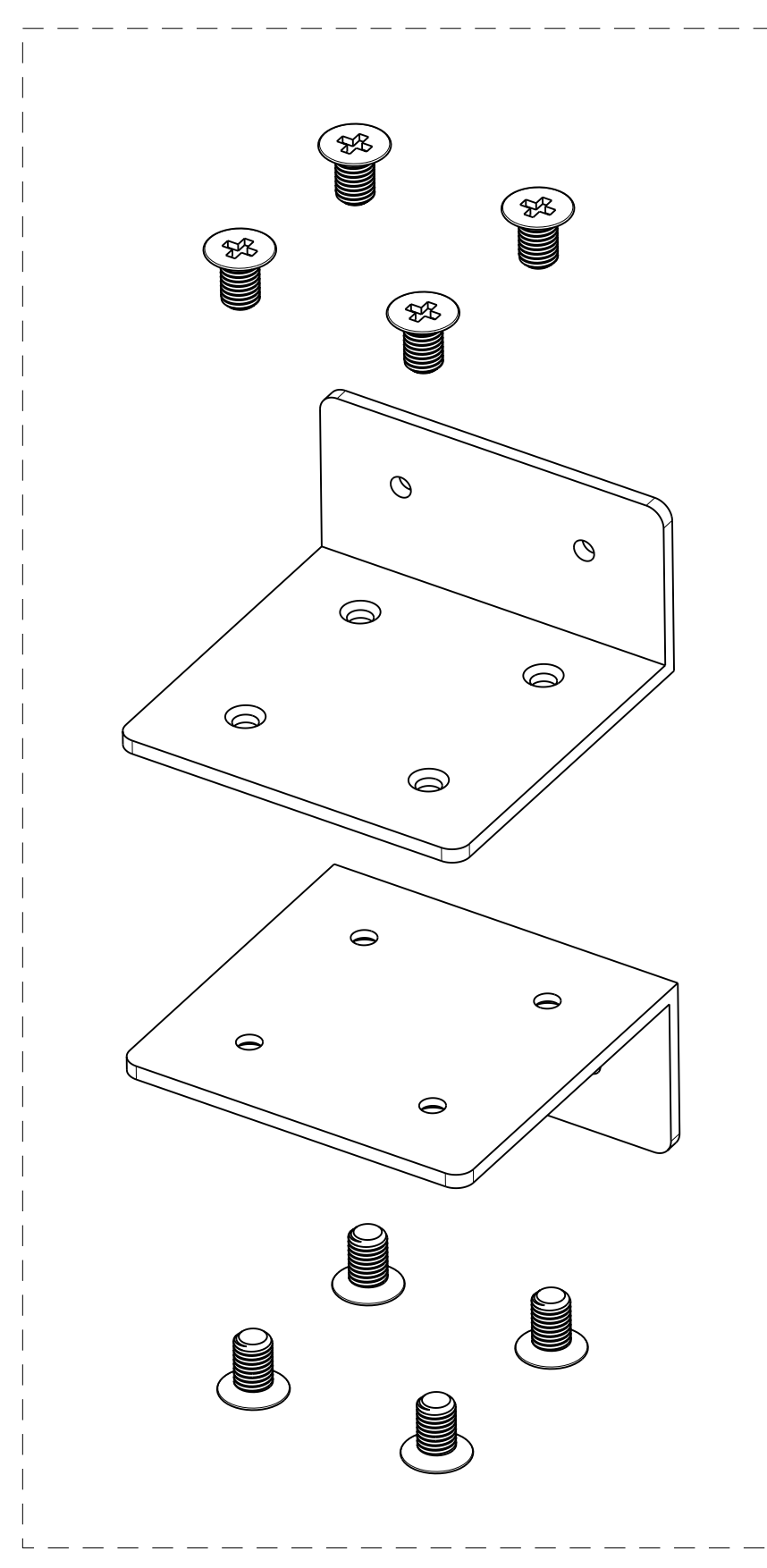
LOC	DIST	REV	DATE	BY	APPD
A1	-	P	04 JUN 2007	STO	RK
PROJECT NR.: EGGMP06058		A1	NEW DRAWING PUBLISHED	04 JUN 2007	STO
		A2	SEE PCN E-07-014454	18 JUN 2007	BB
		A3	DRAWING CHANGED PER PCN E-07-015934	23 JUL 2007	STO
		A4	REV. PER PCN E-08-009570	21 APR 2008	STO

1987031-1 AS SHOWN

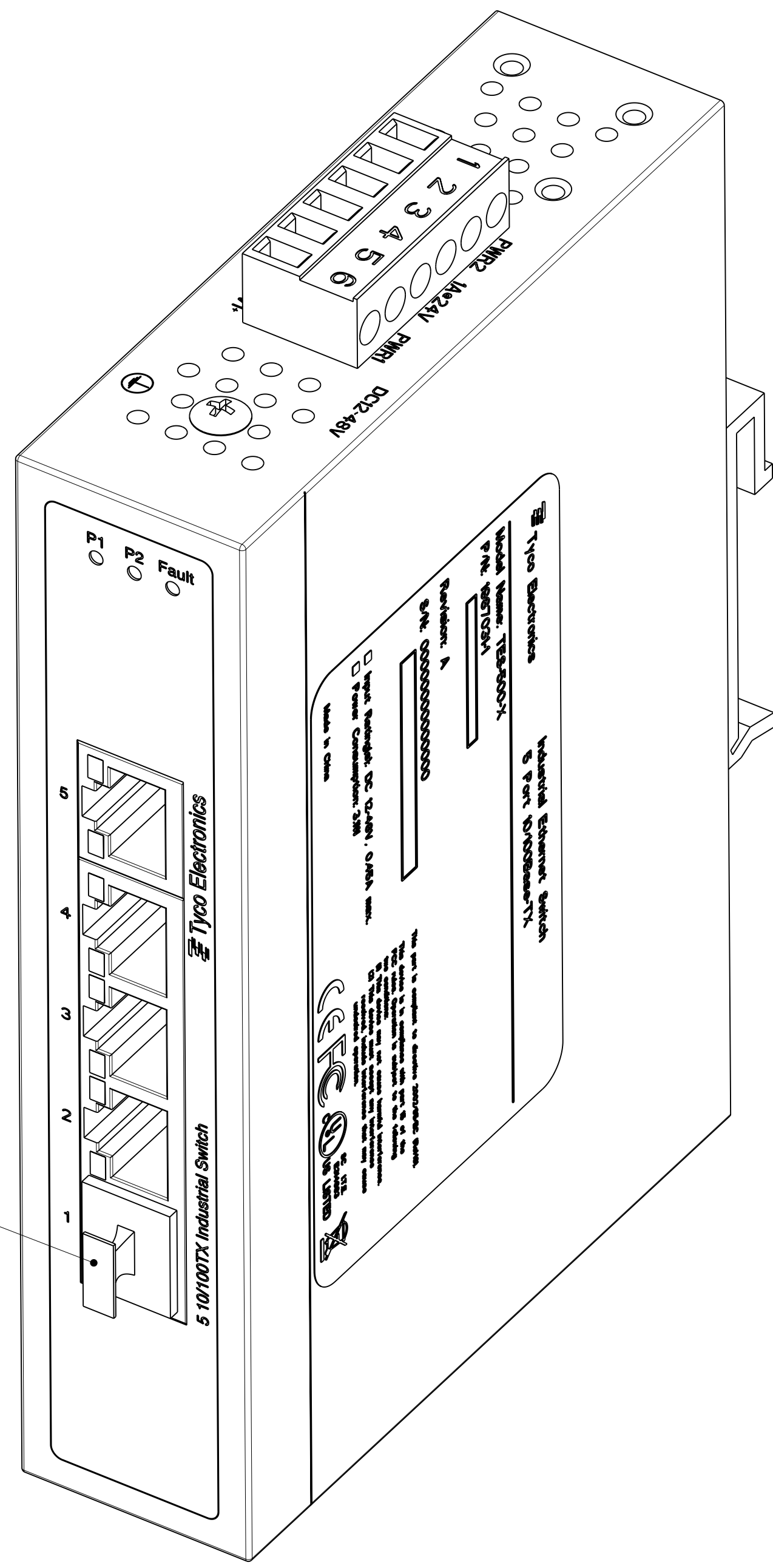
SCALE / M 1:1



HARDWARE SPECIFICATION		
1	ETHERNET STANDARD COMPLIANCE	IEEE 802.3 - 10BASE-T IEEE 802.3u - 100BASE-TX IEEE 802.3x - FLOW CONTROL AND BACK PRESSURE
2	SWITCH ARCHITECTURE	STORE-AND-FORWARD SWITCHING ARCHITECTURE BACK-PLANE (SWITCHING FABRIC): 1Gbps PACKET THROUGHPUT ABILITY (FULL DUPLEX): 1.49Mpps @ 64bytes
3	TRANSFER RATE	10BASE-T PORT: 14 880pps 100BASE-TX PORT: 148 800pps
4	MAC ADDRESS	2K MAC ADDRESS TABLE
5	ETHERNET PORTS	5x 10/100TX RJ-45 AUTO MDI/MDI-X SUPPORT
6	LED	PER UNIT: POWER 1 (GREEN), POWER 2 (GREEN), FAULT (RED) PER PORT: LINK/ACTIVE (GREEN), FULL DUPLEX/COLLISION (YELLOW)
7	POWER SUPPLY	WIDE RANGE SUPPLY: 12 TO 48 V DC REVERSE POLARITY PROTECTED OVERLOAD CURRENT PROTECTED (RE-SETTABLE FUSE)
8	POWER CONSUMPTION	3.1 WATTS

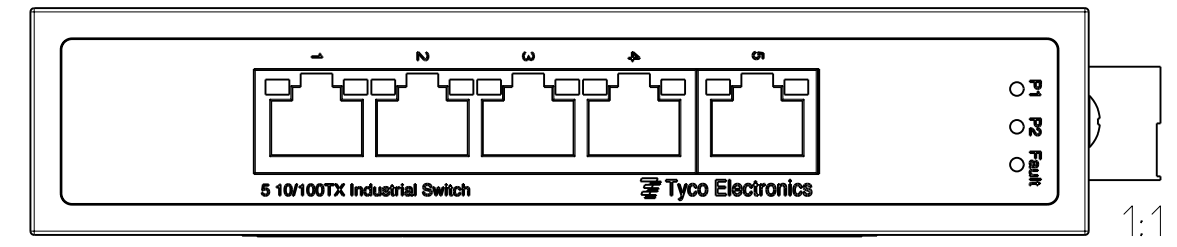


DUST COVER FOR RJ45 PORT 5 x ENCLOSED
 STAUBSCHUTZKAPPE FUER RJ45-EINGANG 5 x BEILIEGEND

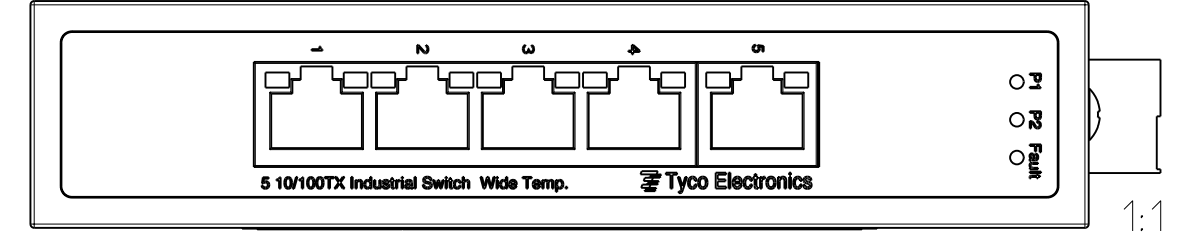


1987031-1 AS SHOWN

FRONT PANEL 1987031-1



FRONT PANEL 1987031-2



1987031-2	1987031-1	TYCO ELECTRONICS ORDER NO. BESTELL-NR.	
1	-	2	5 10/100TX SWITCH TES-500-XE WIDE OPERATING TEMPERATURE RANGE -40 °C TO 75 °C
-	1	1	5 10/100TX SWITCH TES-500-X STANDARD OPERATING TEMPERATURE RANGE -10 °C TO 60 °C
QUANTITY STUECK	ITEM NO. POS.	DESCRIPTION BENENNUNG	

DIMENSIONS: MASSENMEN: (mm)		TOLERANCES: UNLESS OTHERWISE SPECIFIED: ALLGEMEINTOLERANZEN		DWN: S. STOLZ 04 JUN 2007		CAX: B. BERGNER 04 JUN 2007		APVD: P. KRAEMER 04 JUN 2007		TYCO ELECTRONICS Tyco Electronics AMP GmbH 64625 Bensheim (Germany)	
0	PLC ±1	0	PLC ±1	NAME	INDUSTRIAL ETHERNET SWITCH TES-500-X(E) 5 PORT 10/100BASE-TX						
1	PLC ±1	1	PLC ±1	PRODUCT SPEC	108-94083						
2	PLC ±1	2	PLC ±1	APPLICATION SPEC							
3	PLC ±1	3	PLC ±1	VERARBEITUNGSPEZ.							
4	PLC ±1	4	PLC ±1	SIZE	00779		DRAWING NO. 1987031		RESTRICTED TO NUR FUER -		
MATERIAL		FINISH/FARBEN/FARBE		WEIGHT GEWICHT		440 g		SCALE MASSSTAB		2:1	
CUSTOMER DRAWING				/KUNDENZEICHNUNG				SHEET 1 OF 1		REV. A4	