

4

3

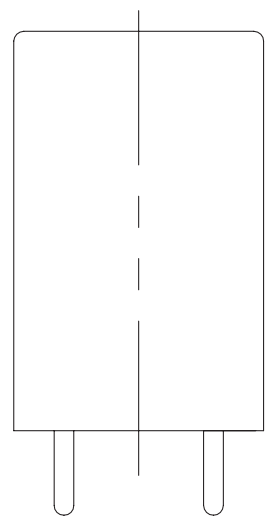
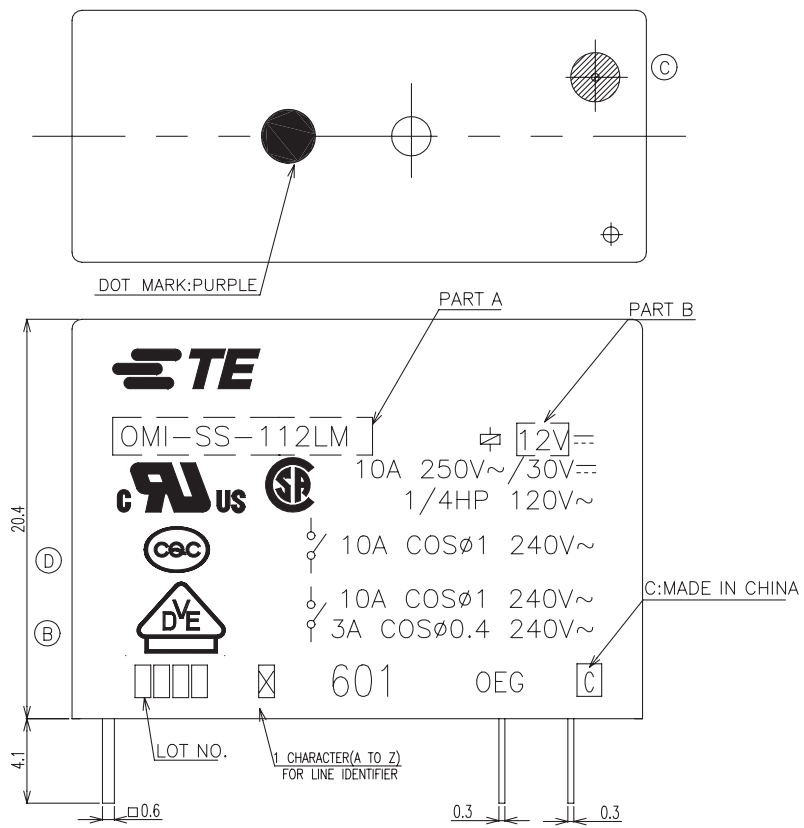
2

1

© - TE Connectivity. All Rights Reserved.

REVISIONS

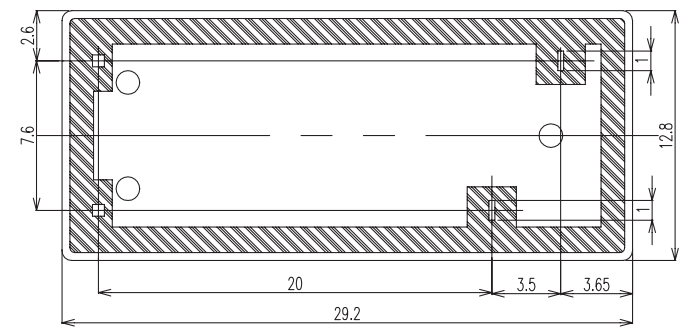
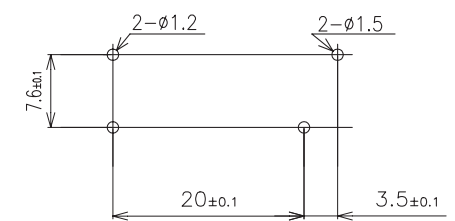
P	LTR	DESCRIPTION	DATE	DWN	APVD
	D	CHANGE BASE MATERIAL TO PBT, DIMENSION CHANGE, CANCEL SEMKO ECN-21-111227	15-JUL-21	X.R.L	K.T



CONNECTION DIAGRAM (BOTTOM VIEW)



DRILLING DIAGRAM(2/1) (BOTTOM VIEW)

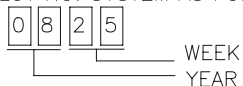


THIS DRAWING IS A CONTROLLED DOCUMENT.		DWN H.SASAKI	TE Connectivity		
DIMENSIONS: mm		CHK Y.OIKAWA	NAME OMI-SH-LM SPEC,601 CUSTOMER DRAWING		
TOLERANCES UNLESS OTHERWISE SPECIFIED:		APVD A.NAGAI	PRODUCT SPEC		
<ul style="list-style-type: none"> 0 PLC ± - 1 PLC ± - 2 PLC ± - 3 PLC ± - 4 PLC ± - ANGLES ± - FINISH ± - 		APPLICATION SPEC	SIZE A3	CAGE CODE 00779	DRAWING NO C=2-1461183-5
MATERIAL		WEIGHT	RESTRICTED TO		
		CUSTOMER DRAWING	SCALE 1:1	SHEET 1 OF 2	REV D

REVISIONS				
P	LTR	DESCRIPTION	DATE	APVD
-	-	-	-	-

NOTES:

- 1. TERMINAL DIMENSION IS NOT INCLUDING SOLDER TIP.
- 2. LOT NO. SYSTEM AS FOLLOWING:



- 3. GENERAL TOLERANCE AS FOLLOWING:

TOLERANCE	
0~0.99mm	±0.1
1mm~2.99mm	±0.2
3mm MIN.	±0.3

- 4. FOR THE TIN-PLATING OF THE PINS:
+0.1mm FOR WIDTH, THICKNESS AND DIAMETER.
+0.5mm FOR LENGTH.

3-1461183-2	OMI-SH-148LM	48V	OMI-SH-148LM
3-1461183-1	OMI-SH-136LM	36V	OMI-SH-136LM
3-1461183-0	OMI-SH-124LM	24V	OMI-SH-124LM
2-1461183-9	OMI-SH-118LM	18V	OMI-SH-118LM
2-1461183-8	OMI-SH-112LM	12V	OMI-SH-112LM
2-1461183-7	OMI-SH-109LM	9V	OMI-SH-109LM
2-1461183-6	OMI-SH-106LM	6V	OMI-SH-106LM
2-1461183-5	OMI-SH-105LM	5V	OMI-SH-105LM
TE PART NO	DESCRIPTION	PART B	PART A

RELAY TYPE

		UV RESIN	UV SEAL	16
		EPOXY RESIN	SEAL	15
UL94 V-0		PBT	CASE	14
CLASS E		UEW	MAGNETIC WIRE	13
UL94 V-0		PBT (D)	BASE	12
UL94 V-0		PBT	BOBBIN	11
	SOLDER DIP	CP WIRE	COIL TERMINAL	10
UL94 V-0		PPS	CARD	9
		Ag ALLOY	MOVABLE CONTACT	8
		Ag ALLOY	STATIONARY CONTACT	7
		Cu ALLOY	HINGE SPRING	6
	SOLDER DIP	Cu ALLOY	STATIONARY TERMINAL	5
	SOLDER DIP	Cu ALLOY	MOVABLE SPRING	4
		STEEL	CORE	3
		STEEL	ARMATURE	2
		STEEL	YOK	1
INCOMBUSTIBILITY	TREATMENT	MATERIAL	DESCRIPTION	ITEM

THIS DRAWING IS A CONTROLLED DOCUMENT.		DWN H.SASAKI			
		CHK Y.OIKAWA			
DIMENSIONS: mm		TOLERANCES UNLESS OTHERWISE SPECIFIED:		NAME	
		0 PLC ± -		A.NAGAI	
		1 PLC ± -		PRODUCT SPEC	
		2 PLC ± -		APPLICATION SPEC	
		3 PLC ± -		SIZE	
		4 PLC ± -		CAGE CODE	
		ANGLES ± -		DRAWING NO	
		FINISH		RESTRICTED TO	
MATERIAL				A3 00779 C=2-1461183-5	
				CUSTOMER DRAWING	
				SCALE 1:1	
				SHEET 2 OF 2	
				REV D	