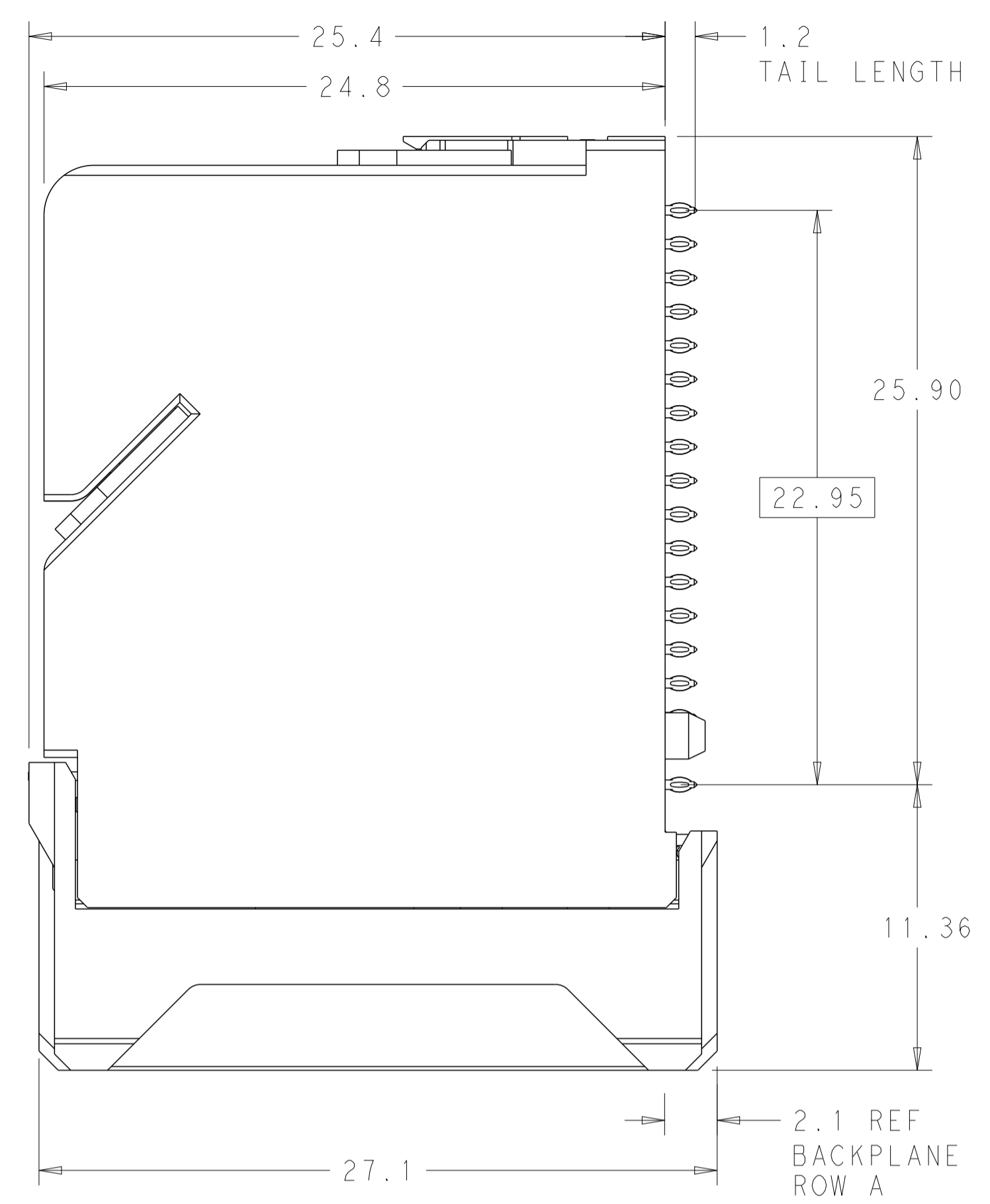
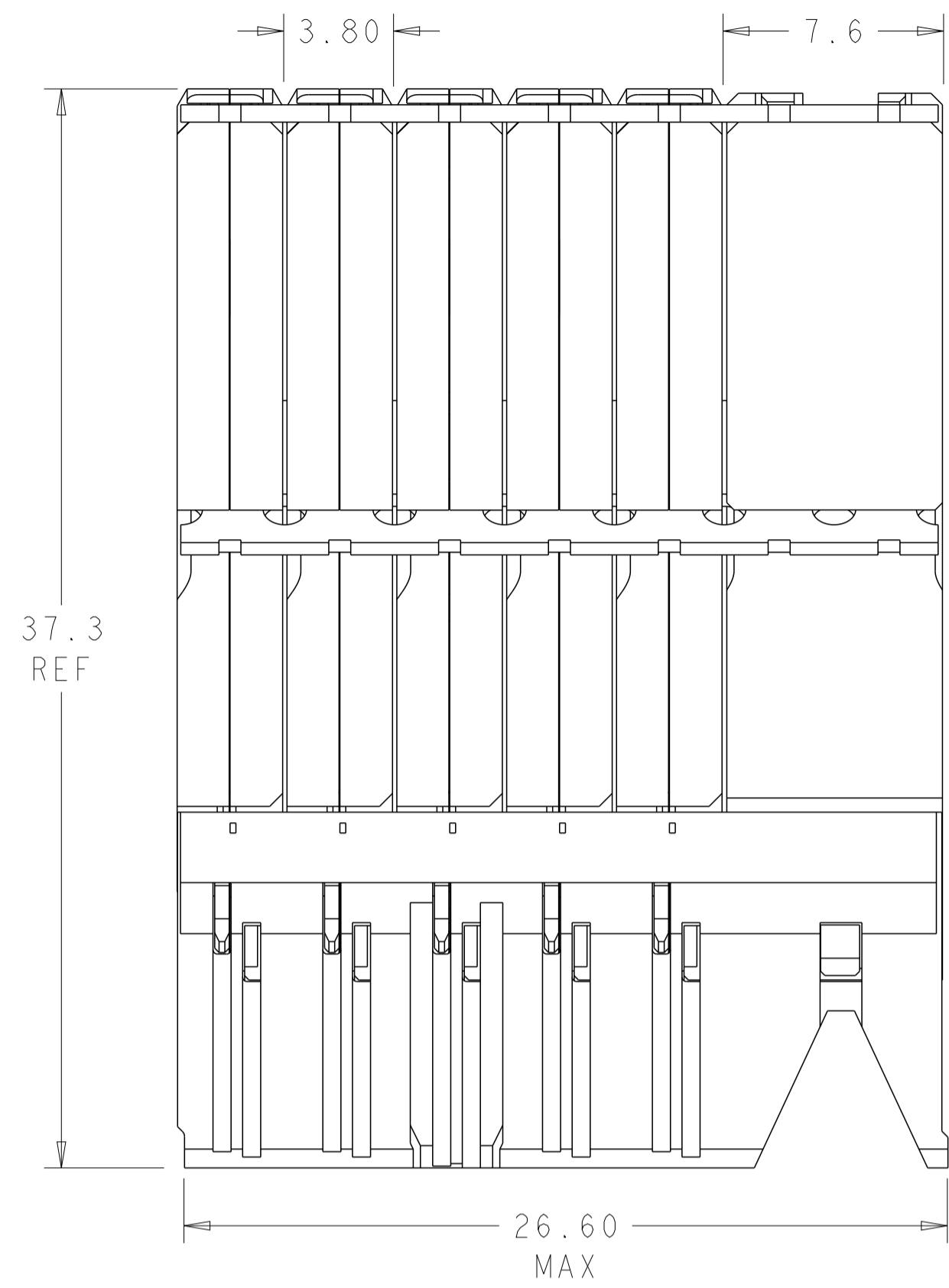
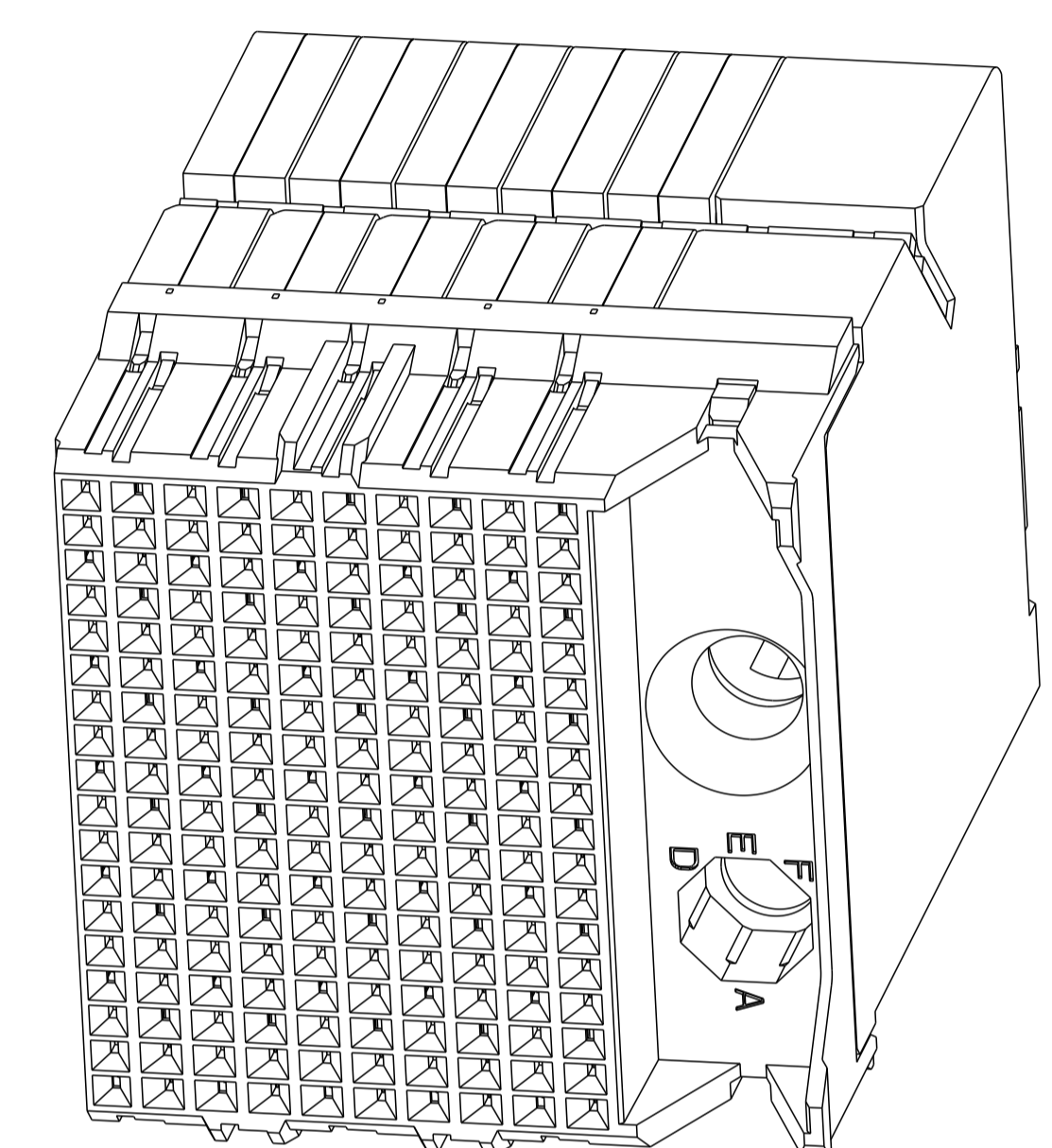


REVISIONS				
P	LTN	DESCRIPTION	DATE	OWN APVD
E		REVISED PER ECO-15-012351	25SEP2015	AP SY
E1		REVISED PER ECN-24-252171	08MAR2024	AP RS

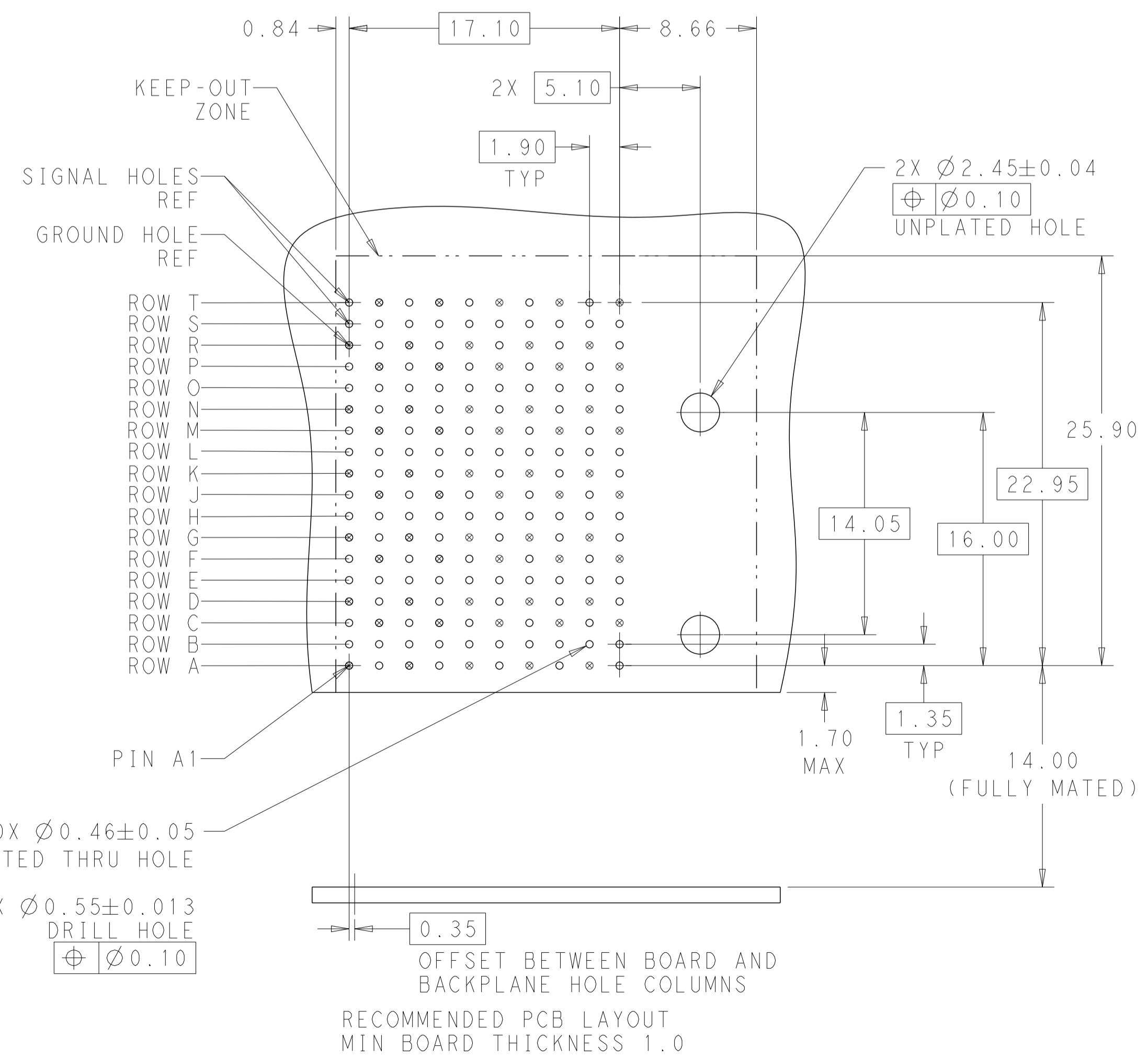
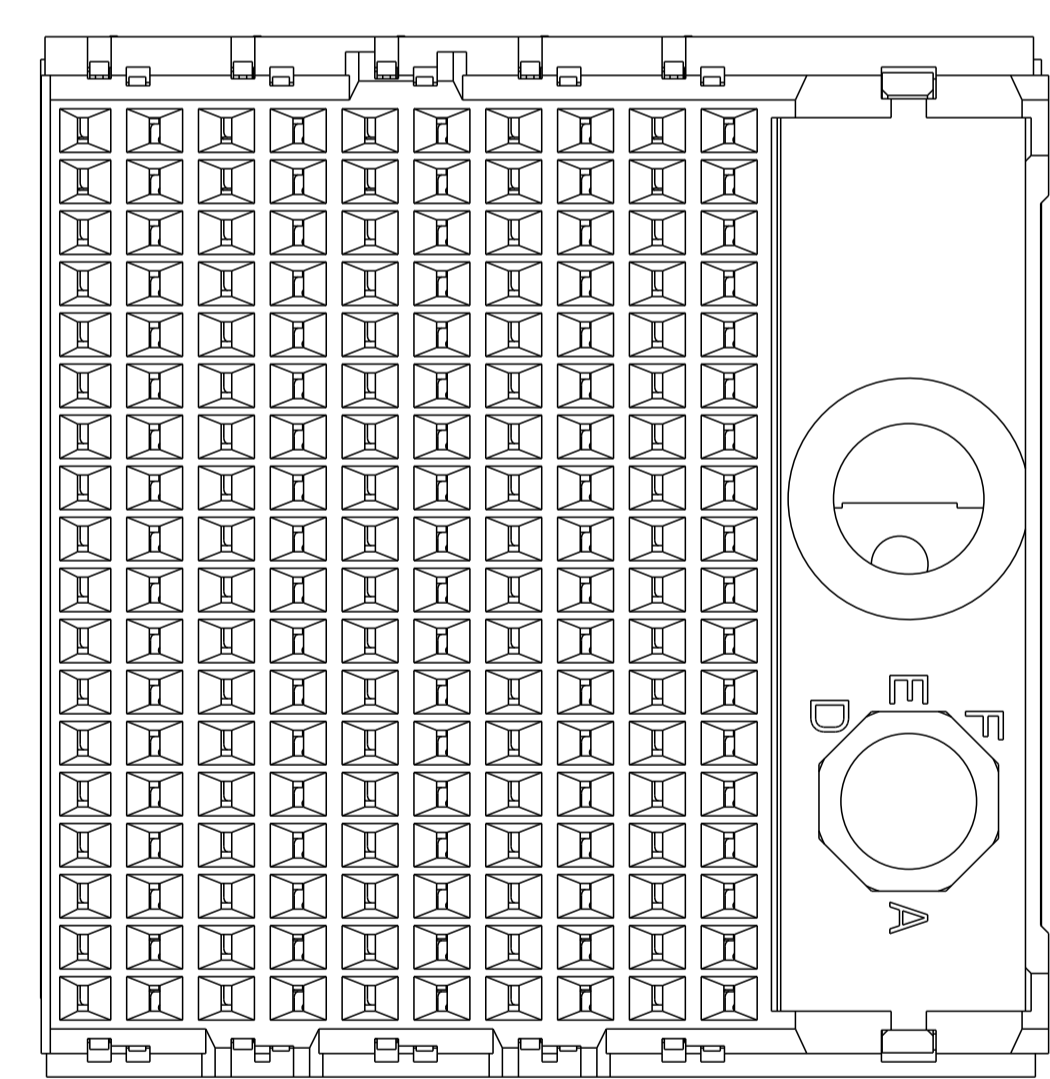


- ⚠ MATERIAL:
HOUSING: LCP, GLASS FILLED, UL94V-0.
TERMINALS: HIGH PERFORMANCE COPPER ALLOY.
- ⚠ FINISH:
30µ" SELECTIVE GOLD IN CONTACT AREA. SELECTIVE TIN ON PCB TAILS, NICKEL OVERALL.
- 3. CONNECTORS SUPPLIED WITH MOUNTING SCREWS.



SCALE 4:1

REFER TO WWW.TE.COM FOR PRODUCT AVAILABILITY



KEY POSITION CHART	
	NONE
	A
	B
	C
	D
	E
	F
	G
	H

OBSOLETE	H	⚠	8-2007737-1
	G	⚠	7-2007737-1
	F	⚠	6-2007737-1
	E	⚠	5-2007737-1
	D	⚠	4-2007737-1
	C	⚠	3-2007737-1
	B	⚠	2-2007737-1
	A	⚠	1-2007737-1
	NONE	⚠	2007737-1
	KEY POSITION	FINISH	PART NUMBER

180X Ø0.46±0.05 PLATED THRU HOLE
 180X Ø0.55±0.013 DRILL HOLE
 Ø0.10

OFFSET BETWEEN BOARD AND BACKPLANE HOLE COLUMNS
 RECOMMENDED PCB LAYOUT
 MIN BOARD THICKNESS 1.0

THIS DRAWING IS A CONTROLLED DOCUMENT.

DIMENSIONS:	TOLERANCES UNLESS OTHERWISE SPECIFIED:	OWN J. K. SHOBER 04MAR2011	NAME
mm	0 PLC ±0.2	CHK D. DIXON 04MAR2011	IMPACT, 6 PAIR, DAUGHTERCARD
	2 PLC ±0.13	APVD D. DIXON 04MAR2011	10 COLUMN, RIGHT GUIDED, SIGNAL
	3 PLC ±0.13		MODULE, 0.46 EYELET
	4 PLC ±0.13		SIZE CAGE CODE DRAWING NO RESTRICTED TO
MATERIAL	ANGLES	WEIGHT	A100779C=2007737
SEE TABLE	FINISH	CUSTOMER DRAWING	SCALE 5:1 SHEET 1 OF 1 REV E1

TE Connectivity