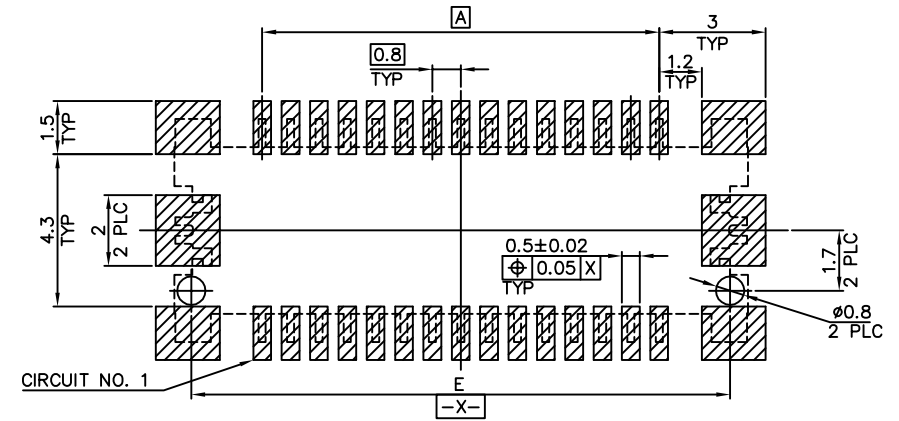
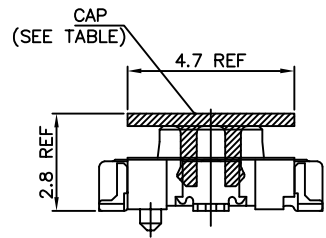
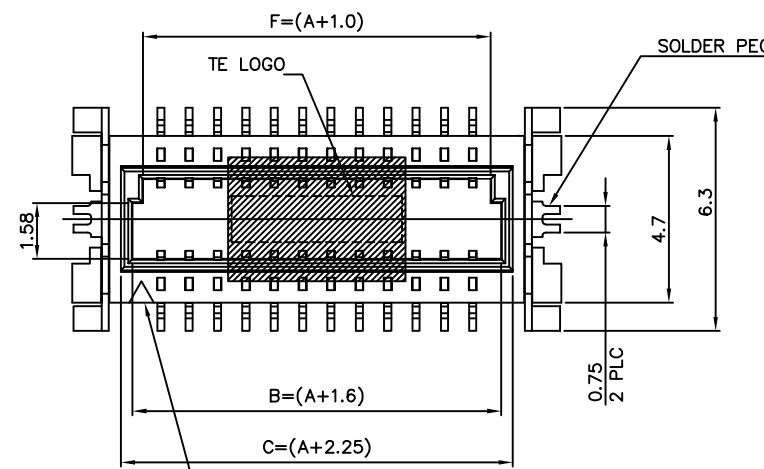
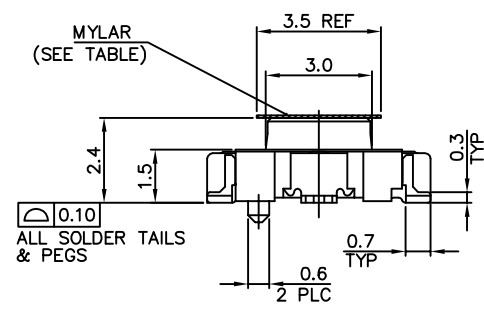
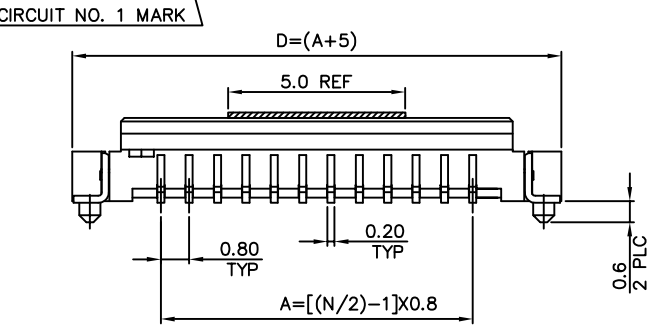


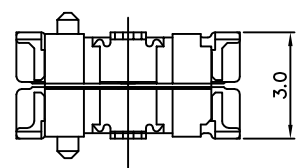
LOC	DIST	REVISIONS			
P	LTR	DESCRIPTION	DATE	DWN	APVD
DW	-	ECR-15-001514	10OCT15	I.T	W.H



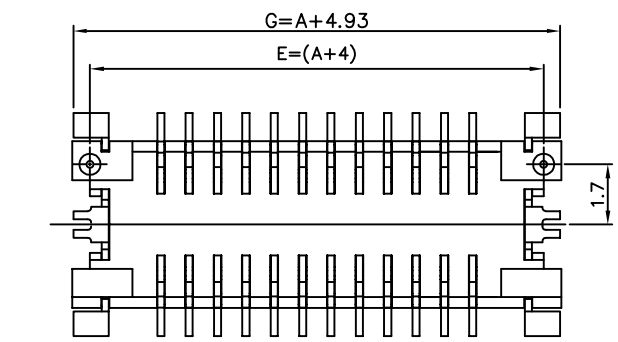
TOLERANCE: ±0.05
 RECOMMENDED PCB LAYOUT
 (TOP VIEW)



- NOTES:
- MATERIAL:
 HOUSING: PA6T, WITH 30% GF, UL 94V-0, NATURAL COLOR.
 CONTACTS: PHOSPHOR BRONZE.
 PEGS: BRASS.
 CAP: PA6T, WITH 30% GF, UL 94V-0, NATURAL COLOR.
 MYLAR: POLYSTYRENES, ORANGE COLOR.
 - FINISH:
 CONTACTS:
 PLATING A: GOLD FLASH.
 PLATING B: 2.54mm [100m] MIN. MATTE-TIN.
 (WITH ENTIRE CONTACT UNDERPLATED 1.27mm [50m] MIN. NICKEL)
 PEGS: 2.54mm [100m] MIN. MATTE-TIN OVER 1.27mm [50m] MIN. NICKEL.
 RECOMMENDED PART NUMBER OF MATING RECEPTACLE: X-2041201-X
 - REFLOW SOLDER CAPABLE TO 260°C AS PER TEC-109-201, CONDITION B.
 - LOW HALOGEN SPEC:
 CHLORINE(Cl): 900ppm MAX.
 BROMINE(Br): 900ppm MAX.



△ STACKING HEIGHT



PACKAGE	PICK UP MATERIAL	CONTACT PLATING	WEIGHT (GRAMS)	DIMENSIONS								NO. OF CONTACTS	PART NUMBER
				G	F	E	D	C	B	A			
SHEET 2.	MYLAR	B	0.199	13.73	9.8	12.8	13.8	11.05	10.4	8.8	24	2-2041173-4	
SHEET 3.	MYLAR	B	0.125	8.93	5	8	9	6.25	5.6	4.0	12	1-2041173-2	
SHEET 2.	MYLAR	A	0.125	8.93	5	8	9	6.25	5.6	4.0	12	2041173-4	
SHEET 3.	CAP	B	0.125	8.93	5	8	9	6.25	5.6	4.0	12	2041173-3	
SHEET 2.	MYLAR	A	0.199	13.73	9.8	12.8	13.8	11.05	10.4	8.8	24	2041173-2	

THIS DRAWING IS A CONTROLLED DOCUMENT.

DWN: A. WU, 16NOV2009
 CHK: S. CHIEN, 16NOV2009
 APVD: W. KODAMA, 16NOV2009

NAME: BOARD-TO-BOARD CONNECTOR, 0.8 MM PITCH, FINE-STACK, 3H, PLUG

PRODUCT SPEC: 108-57488

APPLICATION SPEC: -

WEIGHT: SEE TABLE

CUSTOMER DRAWING

SCALE: - SHEET: 1 OF 3 REV: C

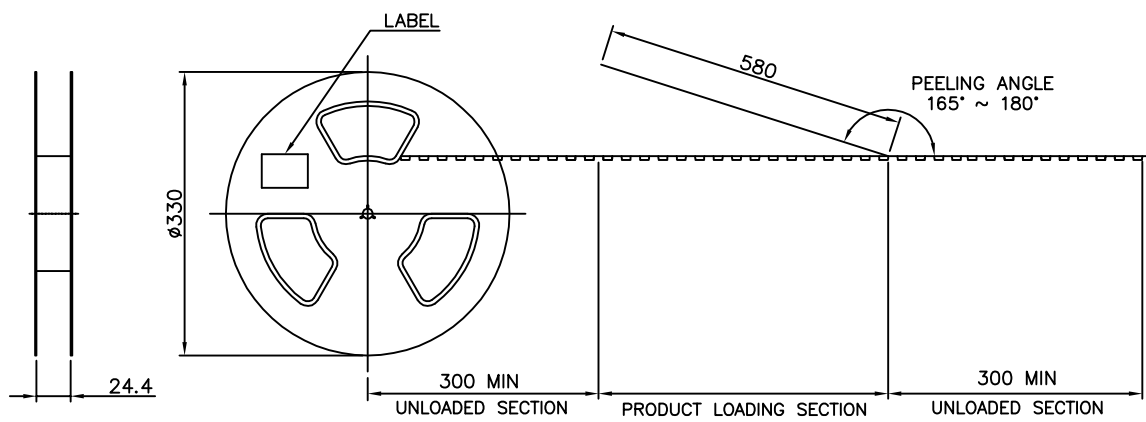
SIZE: A3 CAGE CODE: 00779 DRAWING NO: C=2041173 RESTRICTED TO: -

THIS DRAWING IS UNPUBLISHED. RELEASED FOR PUBLICATION
 © COPYRIGHT 2009 BY TYCO ELECTRONICS CORPORATION. ALL RIGHTS RESERVED.

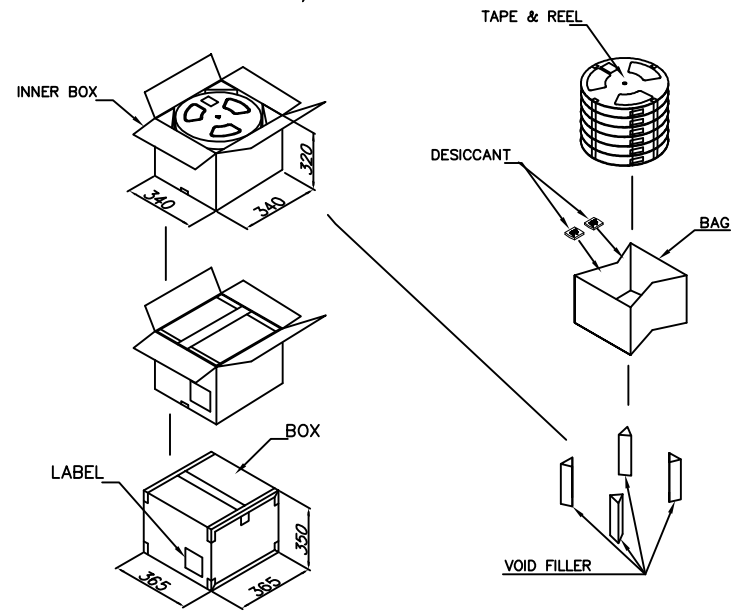
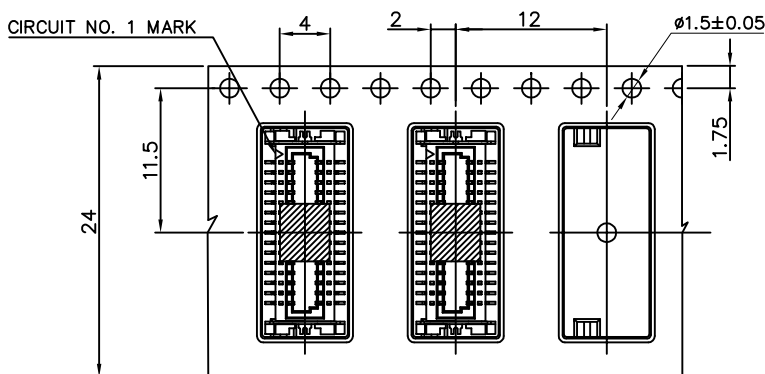
LOC	DIST	REVISIONS			
P	LTR	DESCRIPTION	DATE	DWN	APVD
DW	-	SEE SHEET 1.			

NOTES:

- MATERIAL:
 BOX: FIBREBOARD, CORRUGATED, DOUBLE WALL.
 COVER TAPE: POLYSTYRENES, 120°C HEAT-RESISTANT TEMPERATURE, TRANSPARENT COLOR.
 CARRIER TAPE: POLYSTYRENES, 120°C HEAT-RESISTANT TEMPERATURE, TRANSPARENT COLOR.
 REEL: HIPS, 70°C HEAT-RESISTANT TEMPERATURE, BLUE COLOR.
 BAG: POLYETHYLENES, 100°C HEAT-RESISTANT TEMPERATURE, TRANSPARENT COLOR.
- EACH BAG SHALL BE INCLUDED DESICCANT.
- PEELING STRENGTH: 0.1 ~ 1.3 N (10 ~ 130 GRAMS).
- PEELING SPEED: 300 mm/min.



USER DIRECTION OF UNREELING →



QUANTITY	PCS/TAPE	REELS/BOX	G/W (Kg)	N/W (Kg)	NO. OF CONTACTS
15000 PCS	1500	10	10.12	3.25	24
			9.25	2.35	12

THIS DRAWING IS A CONTROLLED DOCUMENT.

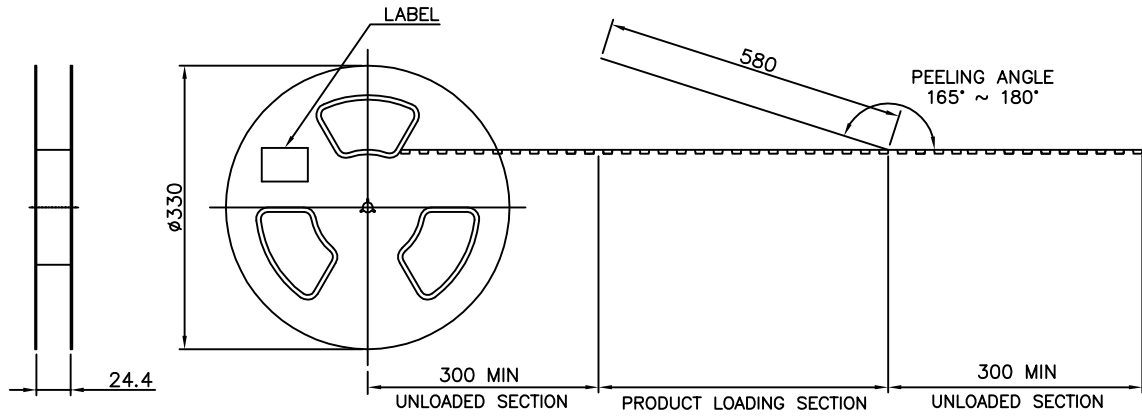
DWN	A. WU	16NOV2009	 TE Connectivity
CHK	S. CHIEN	16NOV2009	
APVD	W. KODAMA	16NOV2009	
NAME			
PRODUCT SPEC	BOARD-TO-BOARD CONNECTOR, 0.8 MM PITCH, FINE-STACK, 3H, PLUG		
APPLICATION SPEC	SIZE CAGE CODE DRAWING NO RESTRICTED TO		
WEIGHT	A3 00779 C=2041173		
CUSTOMER DRAWING	SCALE	SHEET	REV
	-	2 of 3	C

THIS DRAWING IS UNPUBLISHED. RELEASED FOR PUBLICATION
 © COPYRIGHT 2009 BY TYCO ELECTRONICS CORPORATION. ALL RIGHTS RESERVED.

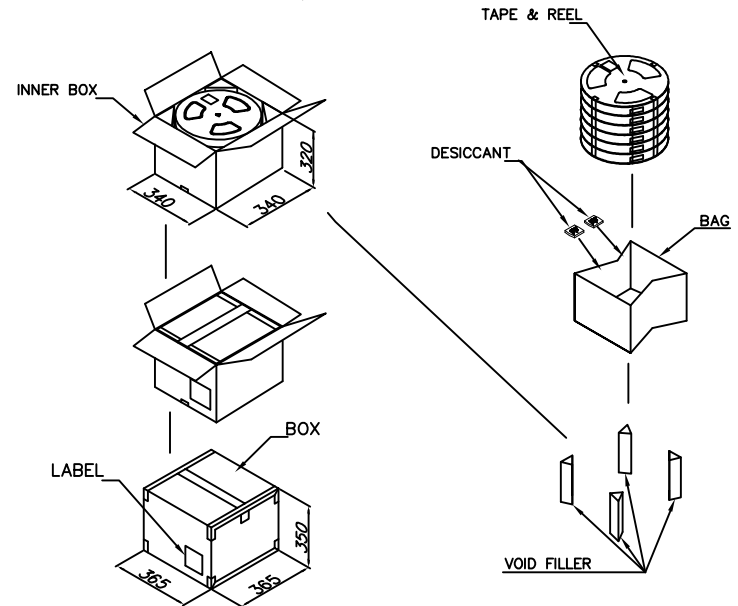
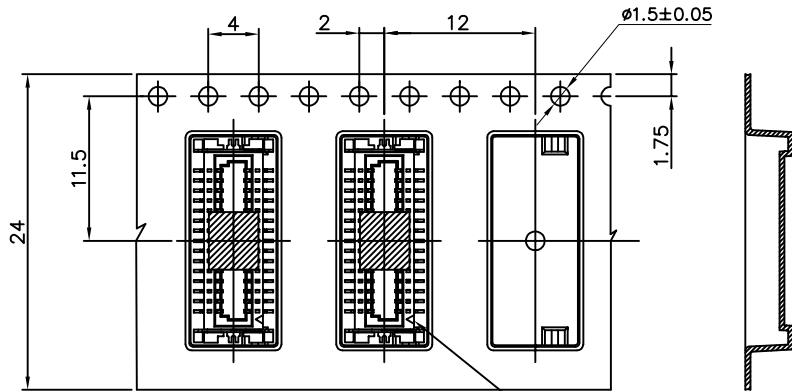
LOC	DIST	REVISIONS			
P	LTR	DESCRIPTION	DATE	DWN	APVD
DW	-	SEE SHEET 1.			

NOTES:

- MATERIAL:
 BOX: FIBREBOARD, CORRUGATED, DOUBLE WALL.
 COVER TAPE: POLYSTYRENES, 120°C HEAT-RESISTANT TEMPERATURE, TRANSPARENT COLOR.
 CARRIER TAPE: POLYSTYRENES, 120°C HEAT-RESISTANT TEMPERATURE, TRANSPARENT COLOR.
 REEL: HIPS, 70°C HEAT-RESISTANT TEMPERATURE, BLUE COLOR.
 BAG: POLYETHYLENES, 100°C HEAT-RESISTANT TEMPERATURE, TRANSPARENT COLOR.
- EACH BAG SHALL BE INCLUDED DESICCANT.
- PEELING STRENGTH: 0.1 ~ 1.3 N (10 ~ 130 GRAMS).
- PEELING SPEED: 300 mm/min.




USER DIRECTION OF UNREELING



15000 PCS	1500	10	9.25	2.35	12
QUANTITY	PCS/TAPE	REELS/BOX	G/W (Kg)	N/W (Kg)	NO. OF CONTACTS

THIS DRAWING IS A CONTROLLED DOCUMENT.

DWN	A. WU	16NOV2009	 TE Connectivity
CHK	S. CHIEN	16NOV2009	
APVD	W. KODAMA	16NOV2009	
PRODUCT SPEC	NAME		
APPLICATION SPEC	SIZE		
WEIGHT	CAGE CODE		
MATERIAL			BOARD-TO-BOARD CONNECTOR, 0.8 MM PITCH, FINE-STACK, 3H, PLUG
FINISH			DRAWING NO A3 00779 C=2041173
CUSTOMER DRAWING			RESTRICTED TO SCALE — SHEET 3 of 3 REV C