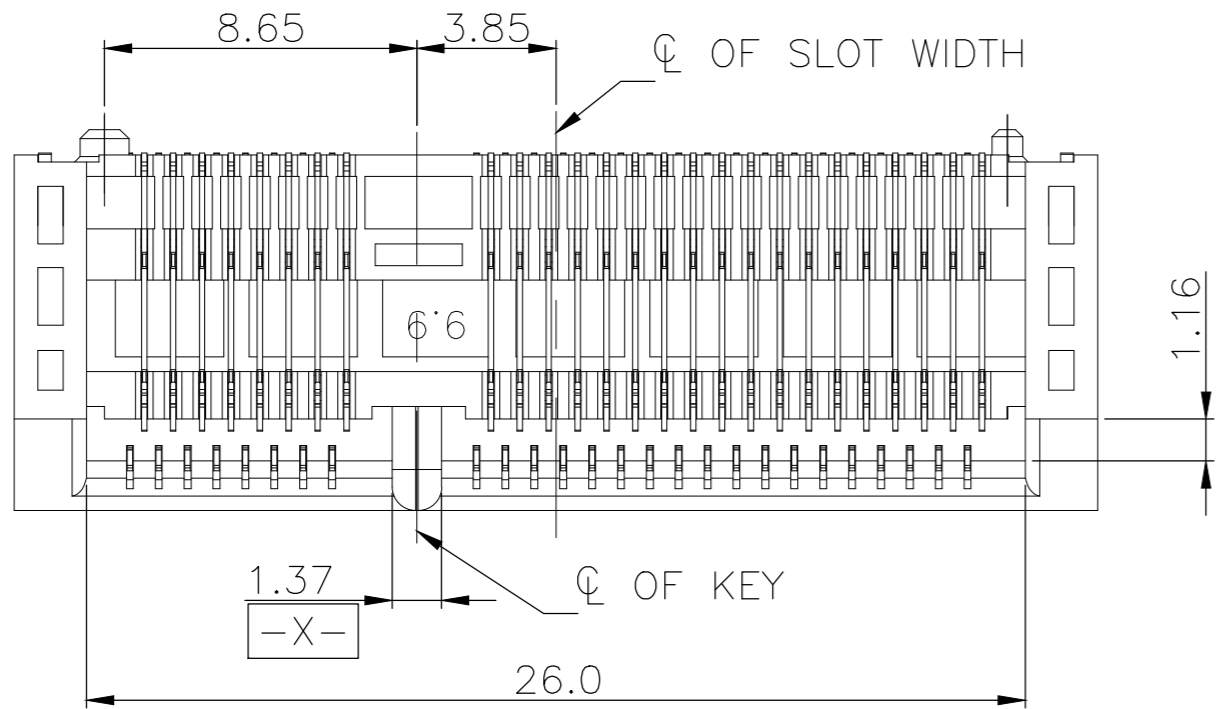


THIS DRAWING IS UNPUBLISHED. RELEASED FOR PUBLICATION
 © COPYRIGHT 2011 BY TE CONNECTIVITY. ALL RIGHTS RESERVED.

REVISIONS					
P	LTR	DESCRIPTION	DATE	DWN	APVD
C2		REVISED PER ECR-18-012076	28DEC18	DZ	SL



NOTES:

- MATERIAL:
HOUSING: LCP WITH 30% GF, UL 94V-0, BLACK COLOR.
CONTACTS: PHOSPHOR BRONZE.
PEGS: BRASS.
- FINISH:
CONTACTS: (SEE TABLE) GOLD PLATED ON CONTACT AREA, GOLD FLASH ON SOLDER AREA, WITH ENTIRE CONTACT UNDERPLATED 1.27mm [50m"] MIN. NICKEL.
PEGS: 3.048mm [120m"] MIN. MATTE-TIN OVER 1.27mm [50m"] MIN. NICKEL.
- REFLOW SOLDER CAPABLE TO 260° PER TEC-109-201, CONDITION B.

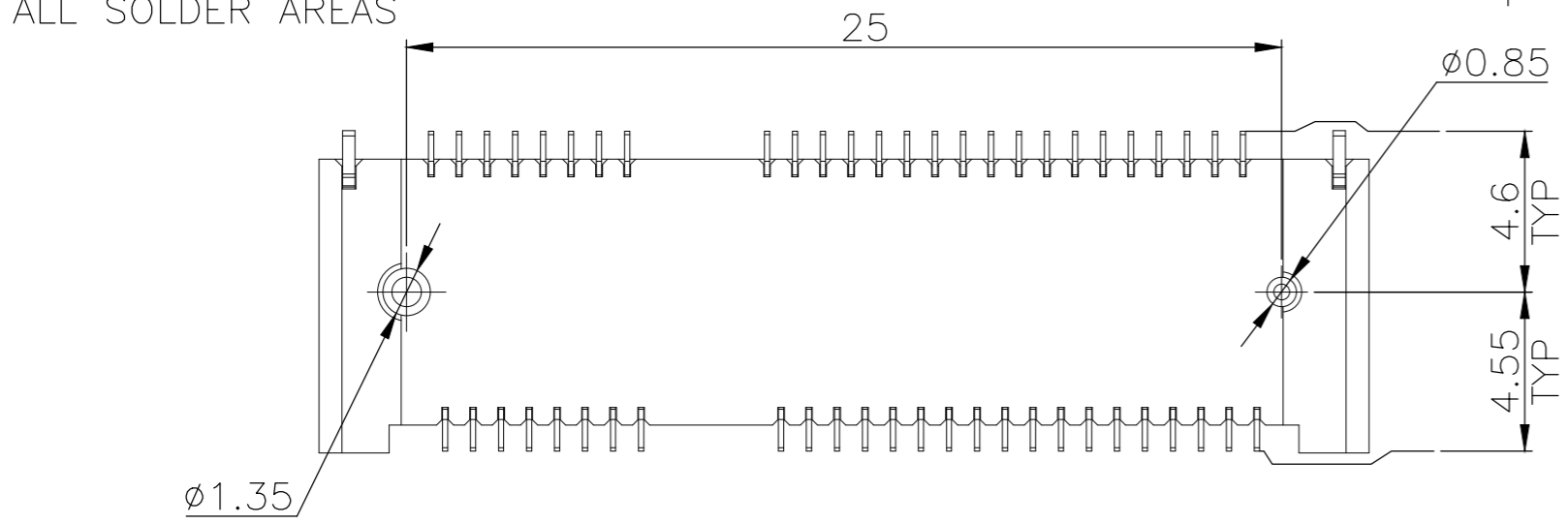
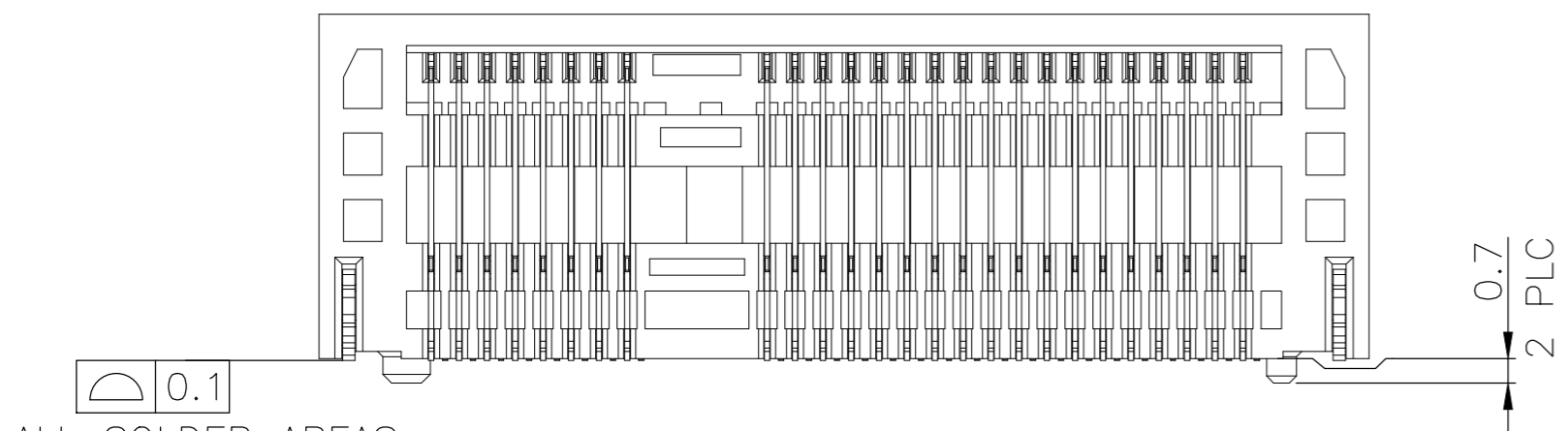
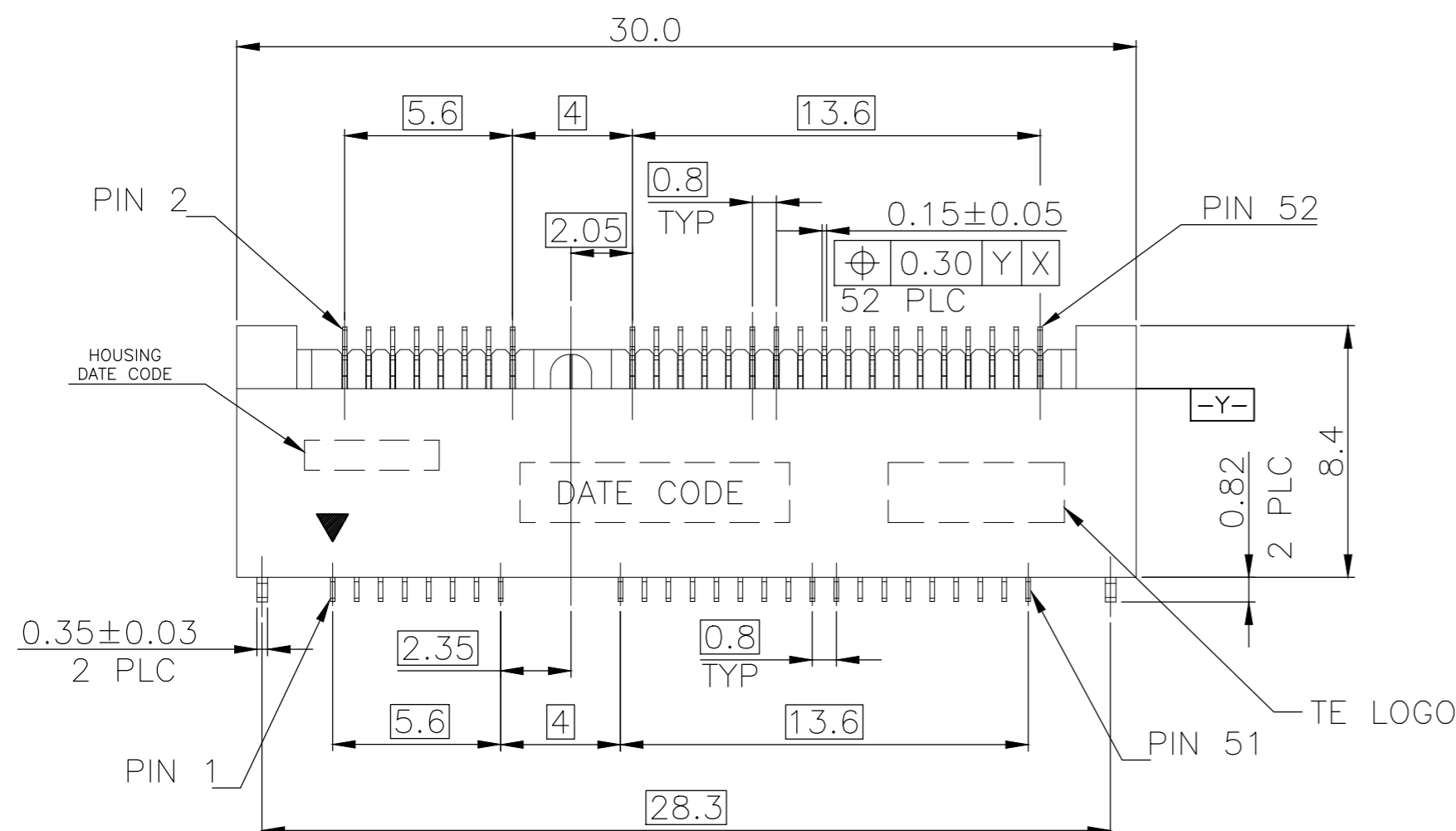
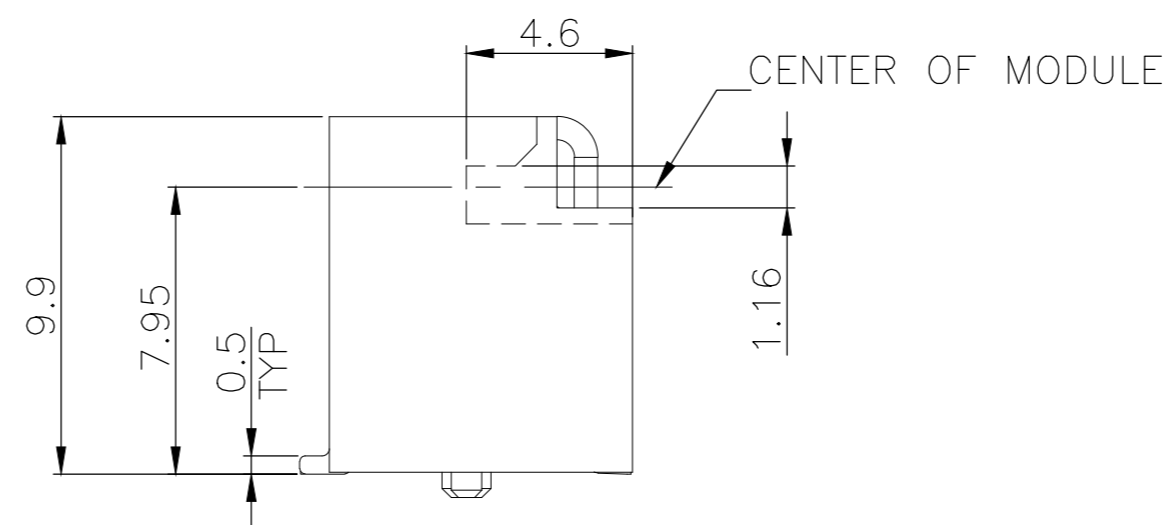
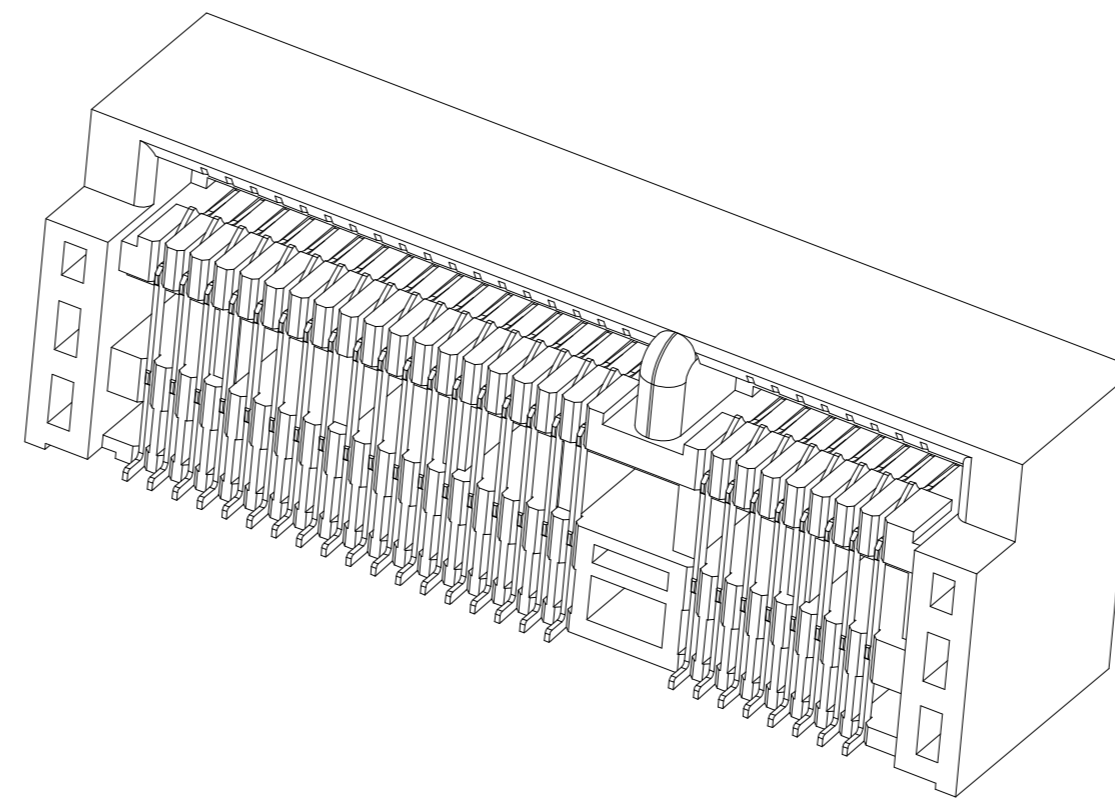
CONNECTOR PIN-OUT DEFINITIONS

PIN#	NAME	PIN#	NAME
51	RESERVED	52	+3.3Vaux
49	RESERVED	50	GND
47	RESERVED	48	+1.5V
45	RESERVED	46	LED_WPAN#
43	GND	44	LED_WLAN#
41	+3.3Vaux	42	LED_WWAN#
39	+3.3Vaux	40	GND
37	GND	38	USB_D+
35	GND	36	USB_D-
33	PETp0	34	GND
31	PETn0	32	SMB_DATA
29	GND	30	SMB_CLK
27	GND	28	+1.5V
25	PERp0	26	GND
23	PERn0	24	+3.3Vaux
21	GND	22	PERST#
19	RESERVED* (UIM_C4)	20	W_DISABLE#
17	RESERVED* (UIM_C8)	18	GND

MECHANICAL KEY

15	GND	16	UIM_VPP
13	REFCLK+	14	UIM_RESET
11	REFCLK-	12	UIM_CLK
9	GND	10	UIM_DATA
7	CLKREQ#	8	UIM_PWR
5	COEX2	6	1.5V
3	COEX1	4	GND
1	WAKE#	2	3.3Vaux

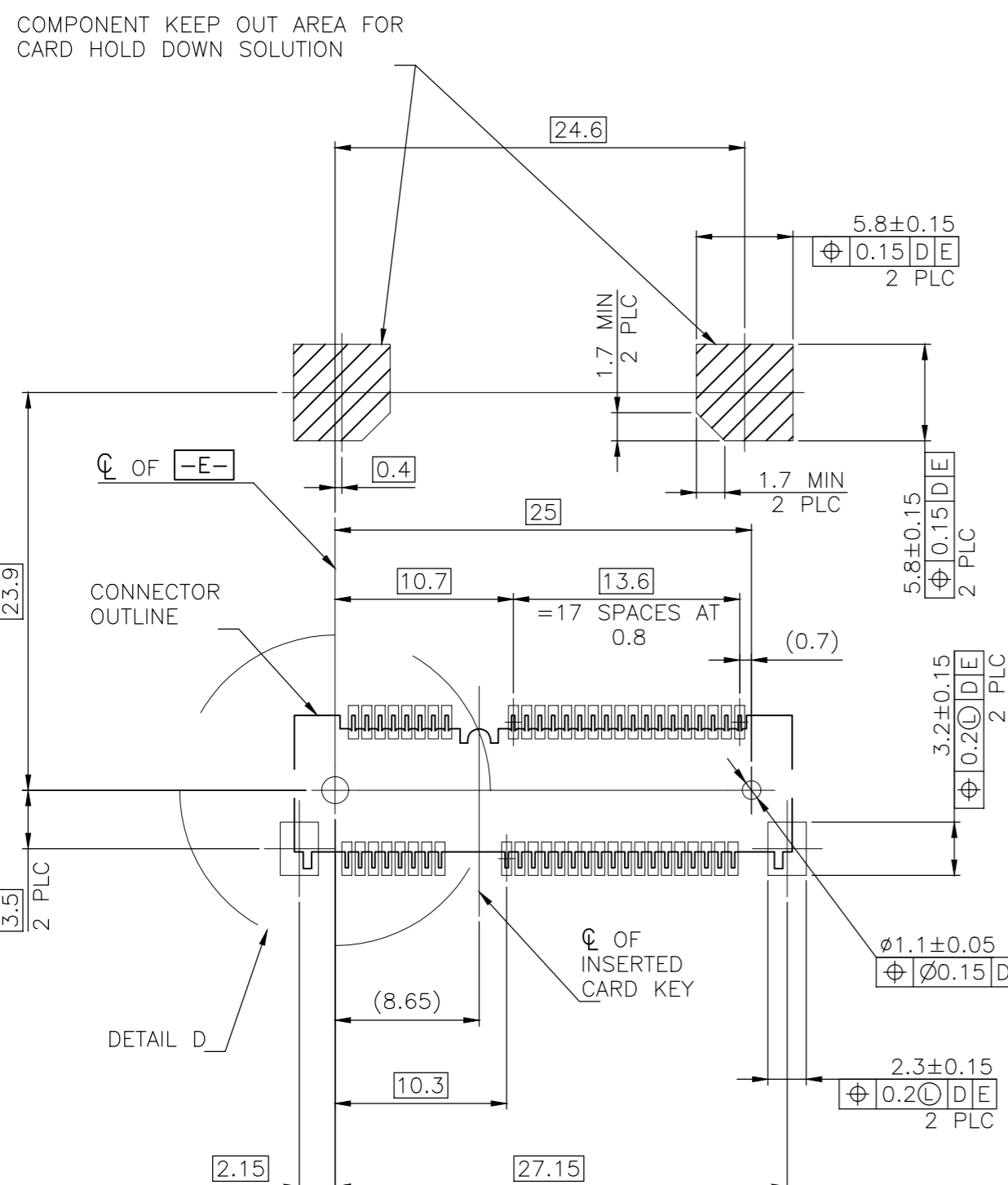
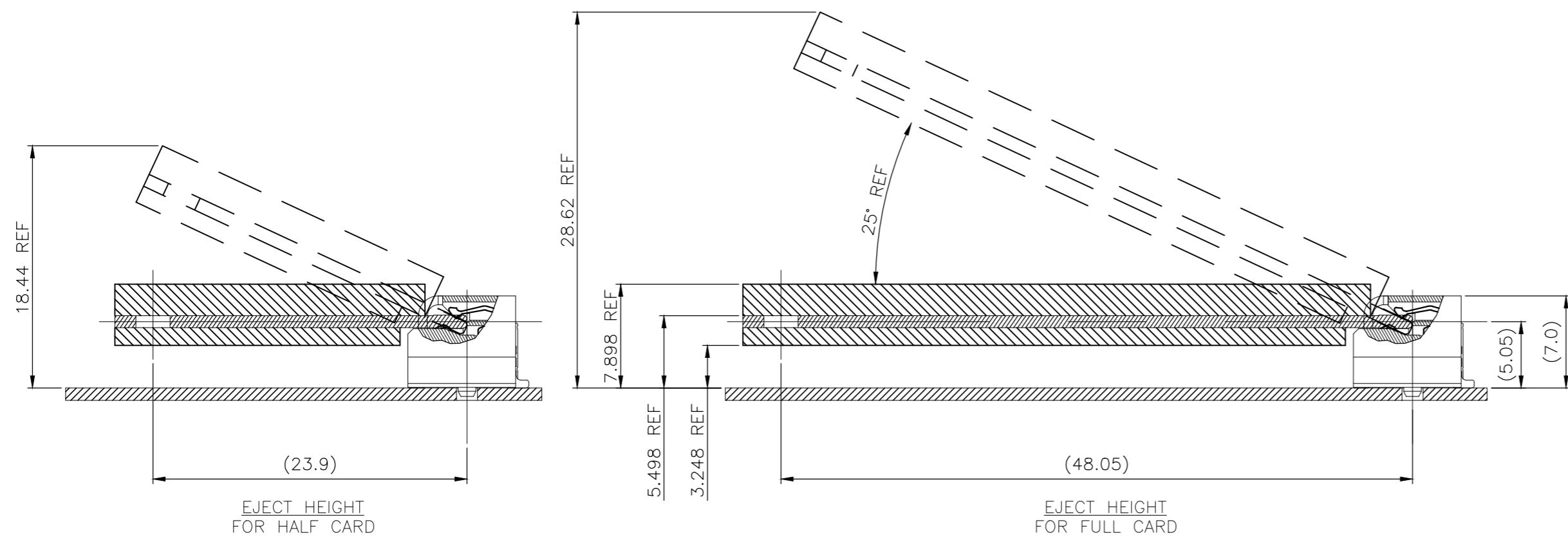
* RESERVED FOR FUTURE UIM INTERFACE (IF NEEDED)



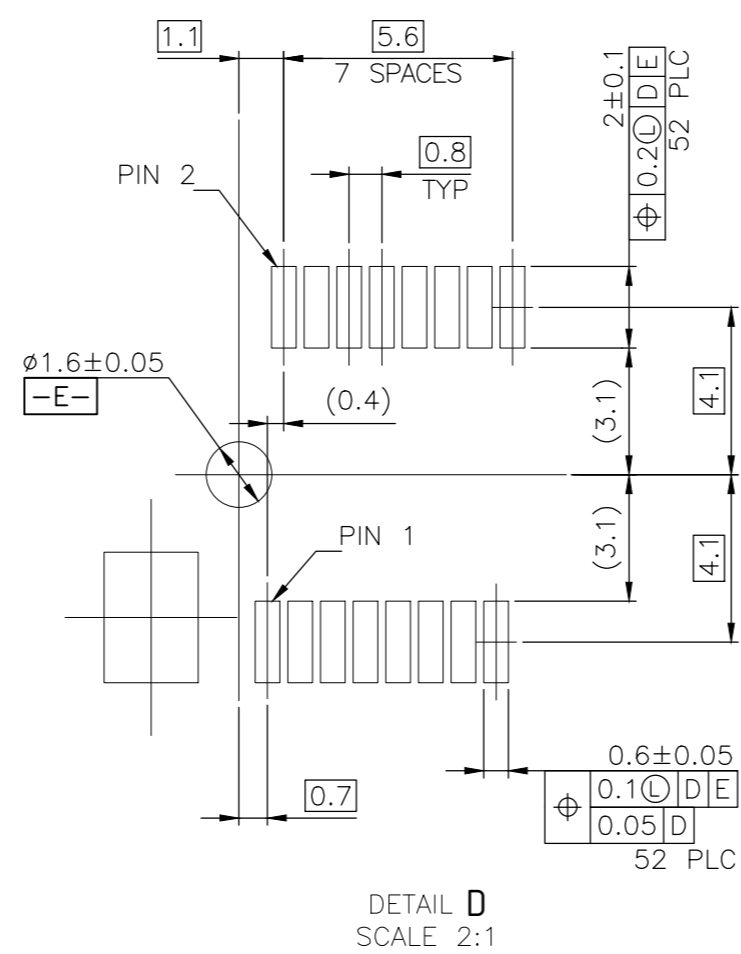
THIS DRAWING IS A CONTROLLED DOCUMENT.		DWN A. WU 28DEC2009																				
DIMENSIONS: mm		CHK S. CHIEN 28DEC2009																				
TOLERANCES UNLESS OTHERWISE SPECIFIED:		APVD W. KODAMA 28DEC2009	NAME PCI EXPRESS MINI CARD CONNECTOR, 9.9 MM HEIGHT																			
<table border="1"> <tr><td>0 PLC</td><td>±</td><td>-</td></tr> <tr><td>1 PLC</td><td>±</td><td>0.3</td></tr> <tr><td>2 PLC</td><td>±</td><td>0.2</td></tr> <tr><td>3 PLC</td><td>±</td><td>-</td></tr> <tr><td>4 PLC</td><td>±</td><td>-</td></tr> <tr><td>ANGLES</td><td>±</td><td>3°</td></tr> </table>		0 PLC	±	-	1 PLC	±	0.3	2 PLC	±	0.2	3 PLC	±	-	4 PLC	±	-	ANGLES	±	3°	PRODUCT SPEC 108-99102	SIZE A2	CAGE CODE 00779
0 PLC	±	-																				
1 PLC	±	0.3																				
2 PLC	±	0.2																				
3 PLC	±	-																				
4 PLC	±	-																				
ANGLES	±	3°																				
MATERIAL SEE NOTE		FINISH SEE NOTE	WEIGHT 3.22 GRAMS	DRAWING NO C-2041216																		
		CUSTOMER DRAWING		RESTRICTED TO -																		
		SCALE -		SHEET 1 of 4																		
				REV C2																		

THIS DRAWING IS UNPUBLISHED. RELEASED FOR PUBLICATION
 © COPYRIGHT 2011 BY TE CONNECTIVITY. ALL RIGHTS RESERVED.

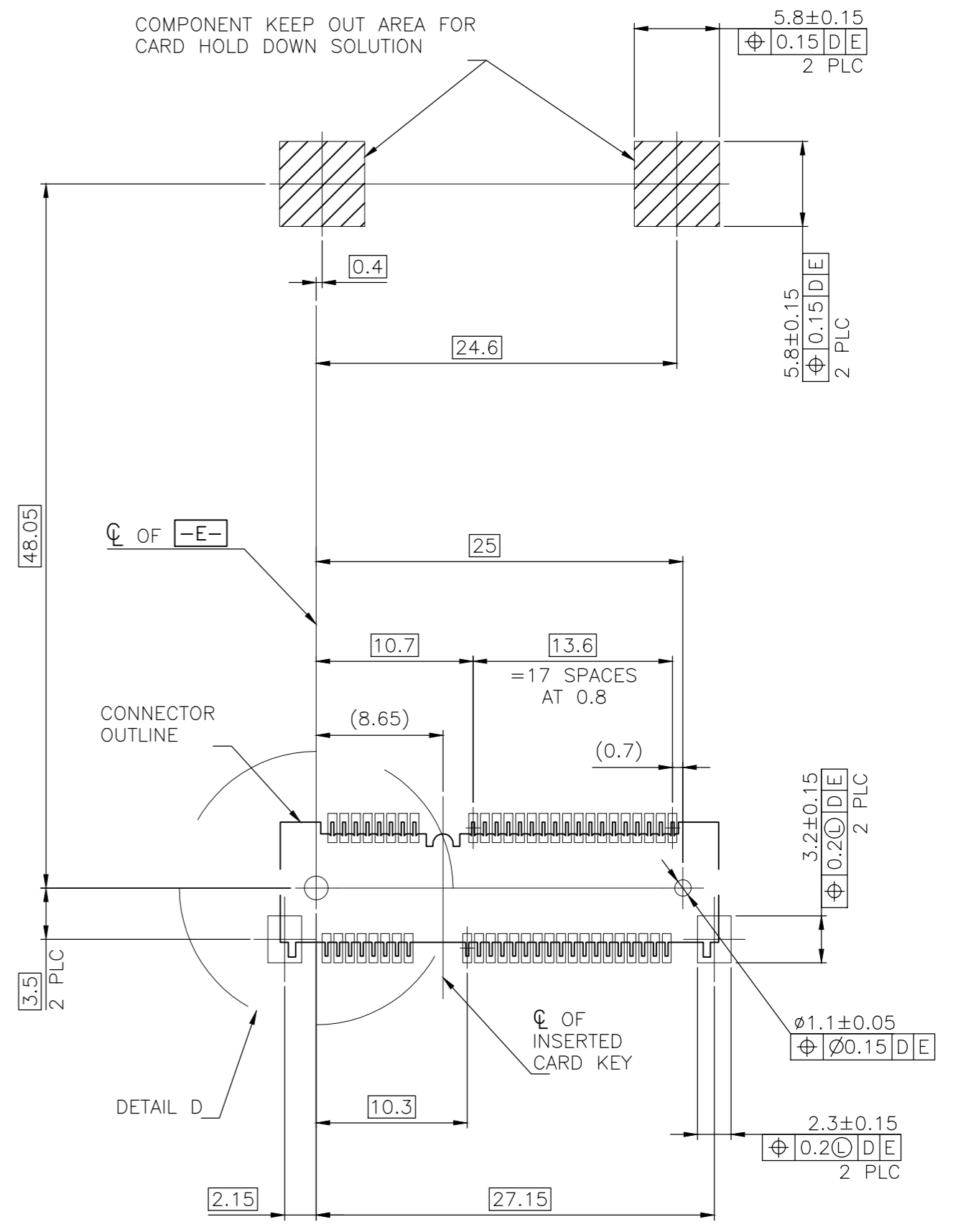
REVISIONS					
P	LTR	DESCRIPTION	DATE	DWN	APVD
		SEE SHEET 1	-	-	-



-D- IS THE TOP SURFACE OF PCB.
 RECOMMENDED P.C. BOARD PATTERN LAYOUT
 FOR HALF CARD CONNECTOR
 (TOP VIEW)



DETAIL D
 SCALE 2:1

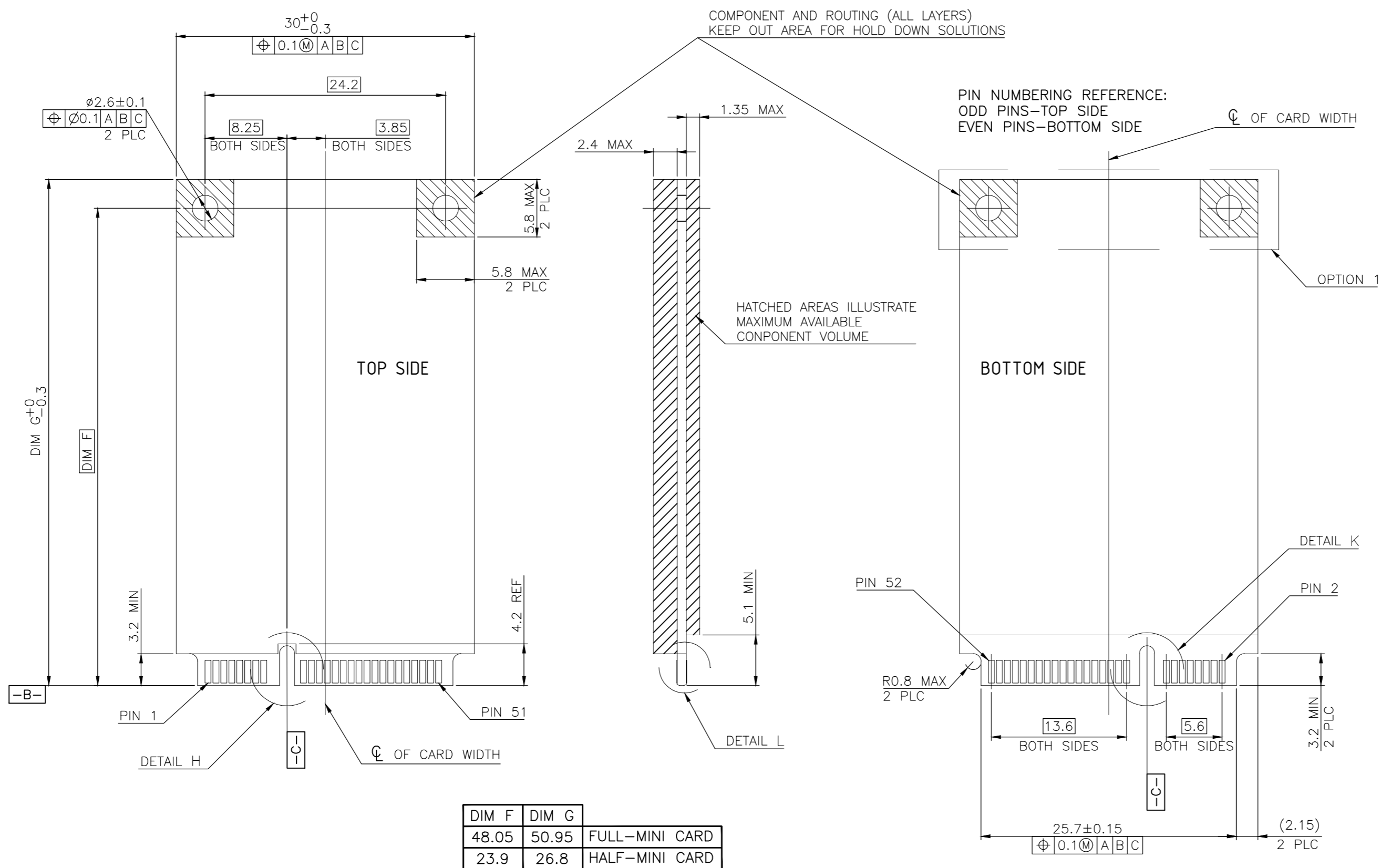


-D- IS THE TOP SURFACE OF PCB.
 RECOMMENDED P.C. BOARD PATTERN LAYOUT
 FOR FULL CARD CONNECTOR
 (TOP VIEW)

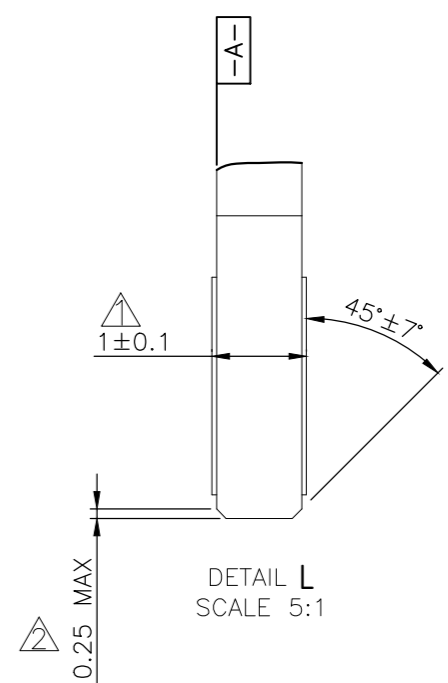
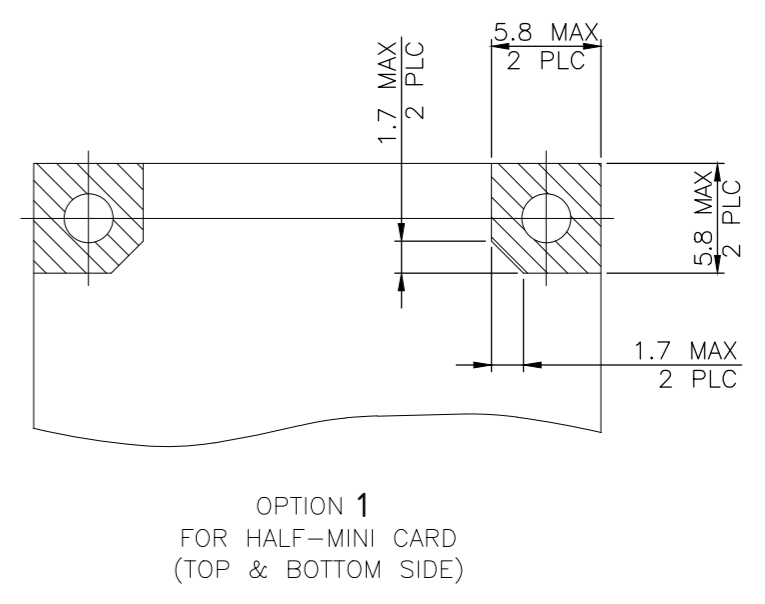
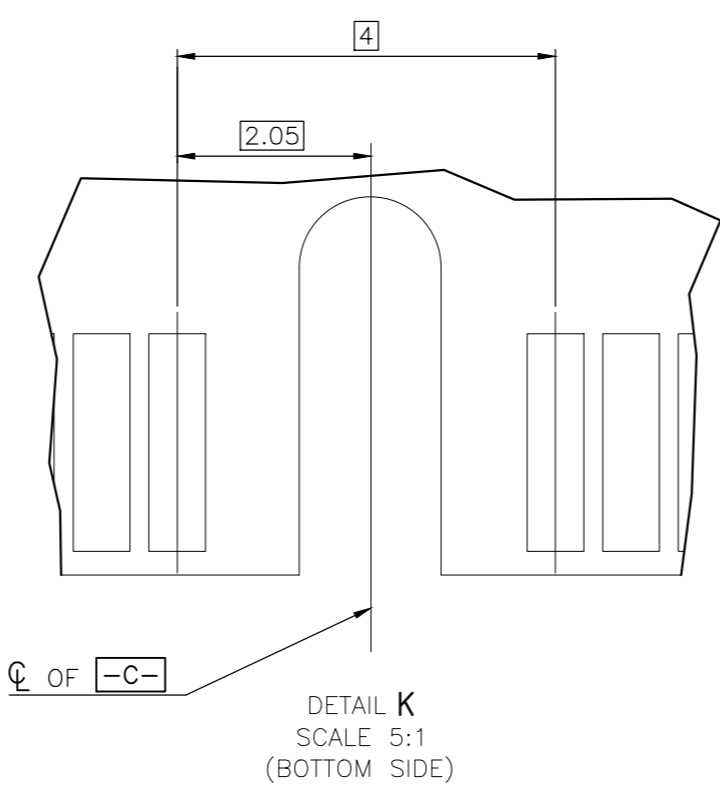
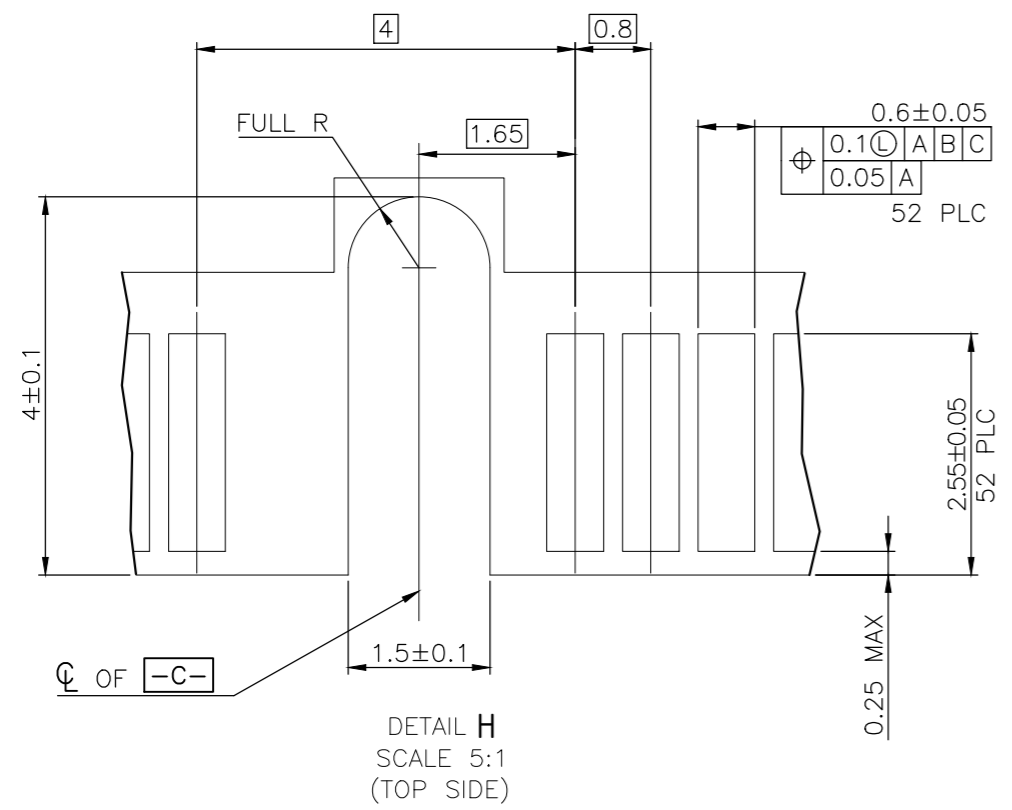
THIS DRAWING IS A CONTROLLED DOCUMENT.		DWN	TE Connectivity		
DIMENSIONS: mm		CHK	NAME		
TOLERANCES UNLESS OTHERWISE SPECIFIED:		APVD	PCI EXPRESS MINI CARD CONNECTOR, 9.9 MM HEIGHT		
0 PLC ±		PRODUCT SPEC	SIZE	CAGE CODE	DRAWING NO
1 PLC ±		APPLICATION SPEC	A2	00779	C=2041216
2 PLC ±		WEIGHT	RESTRICTED TO		
3 PLC ±		FINISH	CUSTOMER DRAWING		
4 PLC ±			SCALE	SHEET	REV
ANGLES ±			-	2 OF 4	C2

THIS DRAWING IS UNPUBLISHED. RELEASED FOR PUBLICATION
 © COPYRIGHT 2011 BY TE CONNECTIVITY. ALL RIGHTS RESERVED.

REVISIONS					
P	LTR	DESCRIPTION	DATE	DWN	APVD
		SEE SHEET 1	-	-	-



DIM F	DIM G	
48.05	50.95	FULL-MINI CARD
23.9	26.8	HALF-MINI CARD



- NOTES:
- △ CARD THICKNESS APPLIES ACROSS TABS AND INCLUDES PLATING AND/OR METALLIZATION.
 - △ EDGE BEVEL MUST BE PRESENT AND FREE OF CUTTING BURRS FROM PCB AND CONTACT MATERIALS.

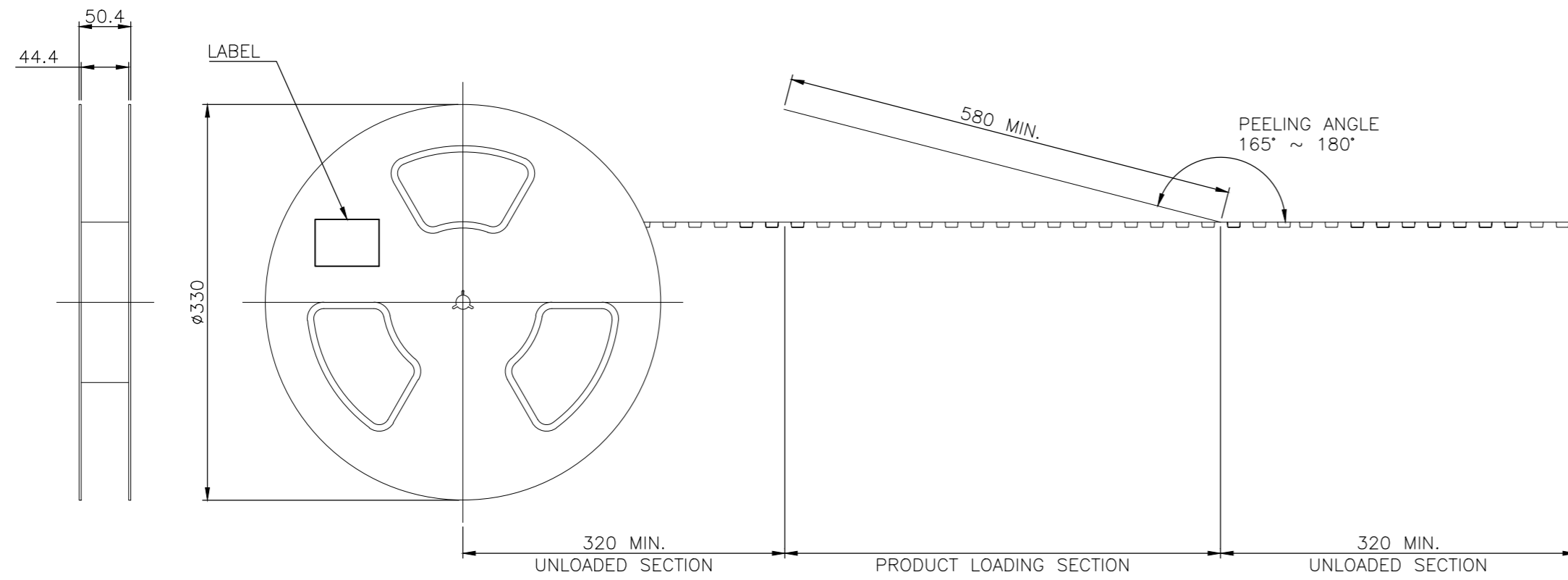
THIS DRAWING IS A CONTROLLED DOCUMENT.		DWN	TE Connectivity		
DIMENSIONS: mm		CHK	NAME		
TOLERANCES UNLESS OTHERWISE SPECIFIED:		APVD	PCI EXPRESS MINI CARD CONNECTOR, 9.9 MM HEIGHT		
0 PLC ±		PRODUCT SPEC	SIZE	CAGE CODE	DRAWING NO
1 PLC ±		APPLICATION SPEC	A2	00779	C=2041216
2 PLC ±		WEIGHT	RESTRICTED TO		
3 PLC ±		CUSTOMER DRAWING	-		
4 PLC ±		SCALE	SHEET 3 OF 4		
ANGLES ±		REV	C2		
FINISH					

THIS DRAWING IS UNPUBLISHED. RELEASED FOR PUBLICATION
 © COPYRIGHT 2011 BY TE CONNECTIVITY. ALL RIGHTS RESERVED.

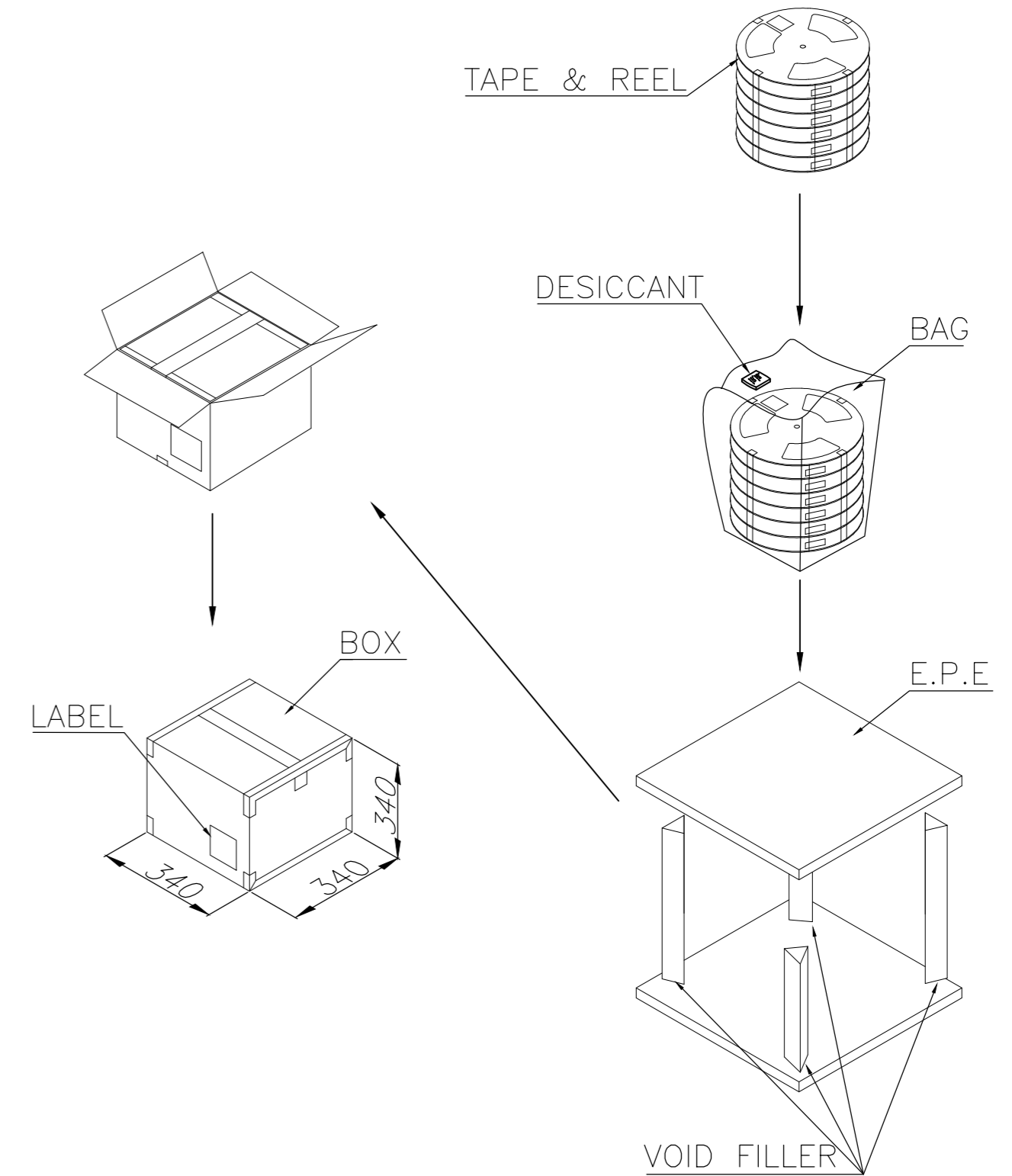
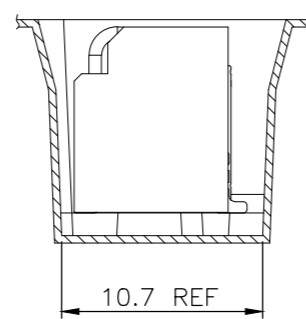
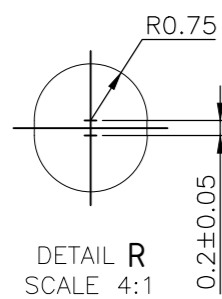
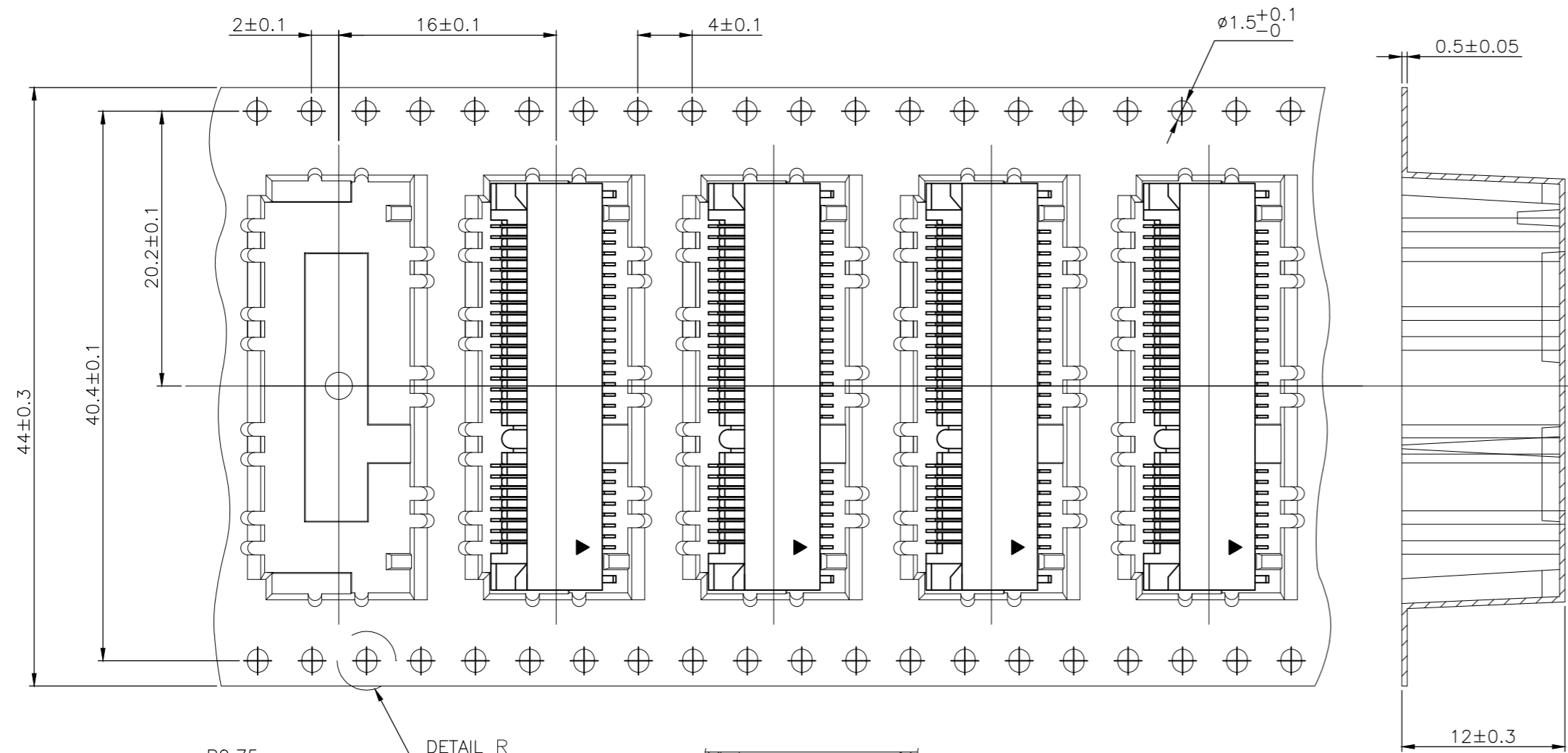
REVISIONS				
P	LTR	DESCRIPTION	DATE	APVD
		SEE SHEET 1	-	-

NOTES:

- MATERIAL:
 BOX: FIBREBOARD, CORRUGATED, DOUBLE WALL.
 COVER TAPE: POLYSTYRENES, TRANSPARENT COLOR.
 CARRIER TAPE: POLYSTYRENES, TRANSPARENT COLOR.
 REEL: HIPS, BLUE COLOR.
 BAG: POLYETHYLENES, TRANSPARENT .
- EACH BAG SHALL BE INCLUDED DESICCANT.
- PEELING STRENGTH: 0.1 ~ 1.3 N (10 ~ 130 GRAMS).
- PEELING SPEED: 300 mm/min.



USER DIRECTION OF UNREELING



10.31 Kg	5.31 Kg	350	6	2100
GROSS WEIGHT	NET WEIGHT	PCS/TAPE	REELS/BOX	PCS/BOX

THIS DRAWING IS A CONTROLLED DOCUMENT.		DWN	TE Connectivity		
DIMENSIONS: mm		CHK	PCI EXPRESS MINI CARD CONNECTOR, 9.9 MM HEIGHT		
TOLERANCES UNLESS OTHERWISE SPECIFIED:		APVD	NAME		
0 PLC ±		PRODUCT SPEC	SIZE		
1 PLC ±		APPLICATION SPEC	CAGE CODE		
2 PLC ±		WEIGHT	DRAWING NO		
3 PLC ±		CUSTOMER DRAWING	RESTRICTED TO		
4 PLC ±			A2 00779 C=2041216		
ANGLES ±			SCALE		
FINISH			SHEET 4 of 4		
			REV C2		