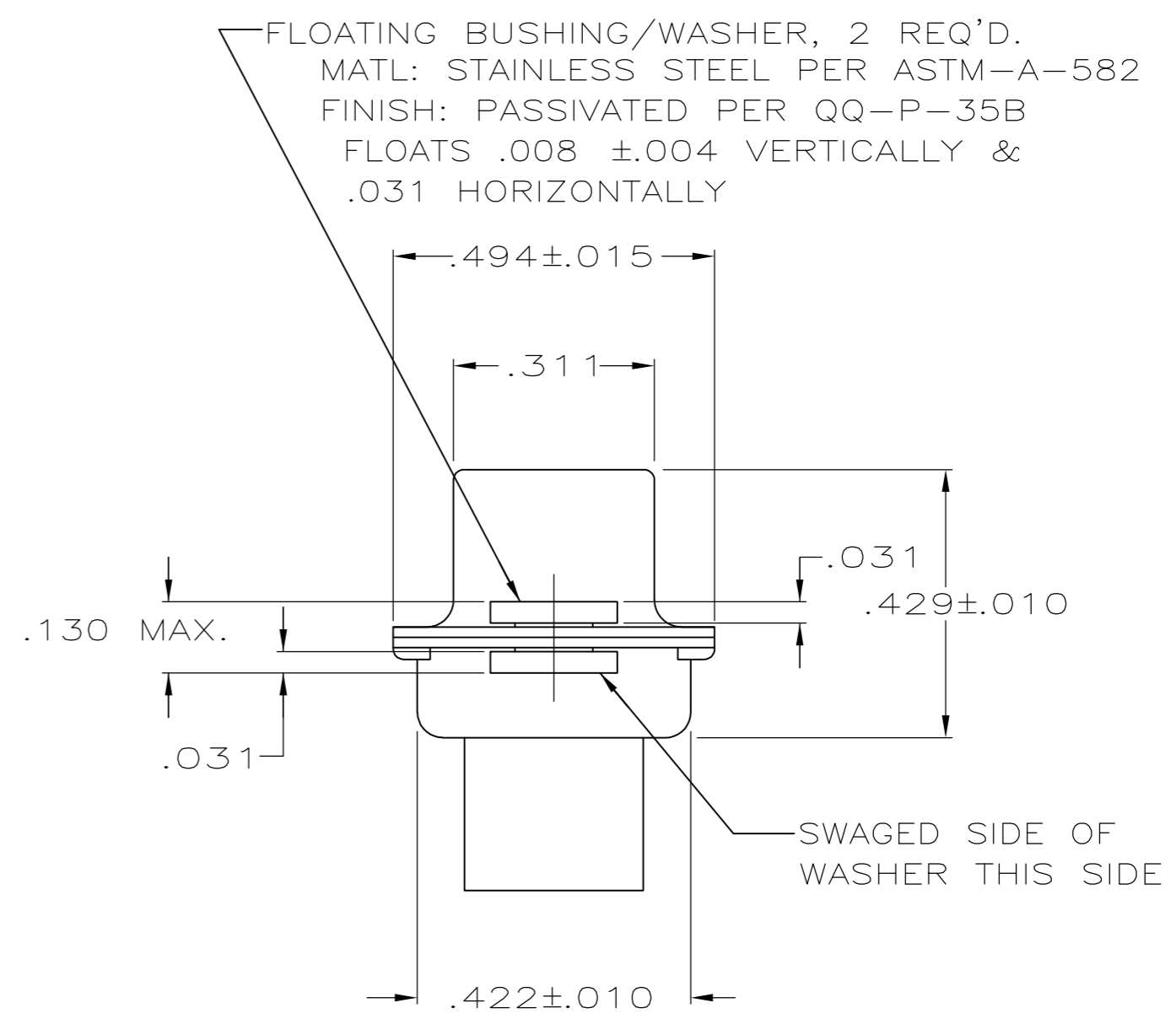
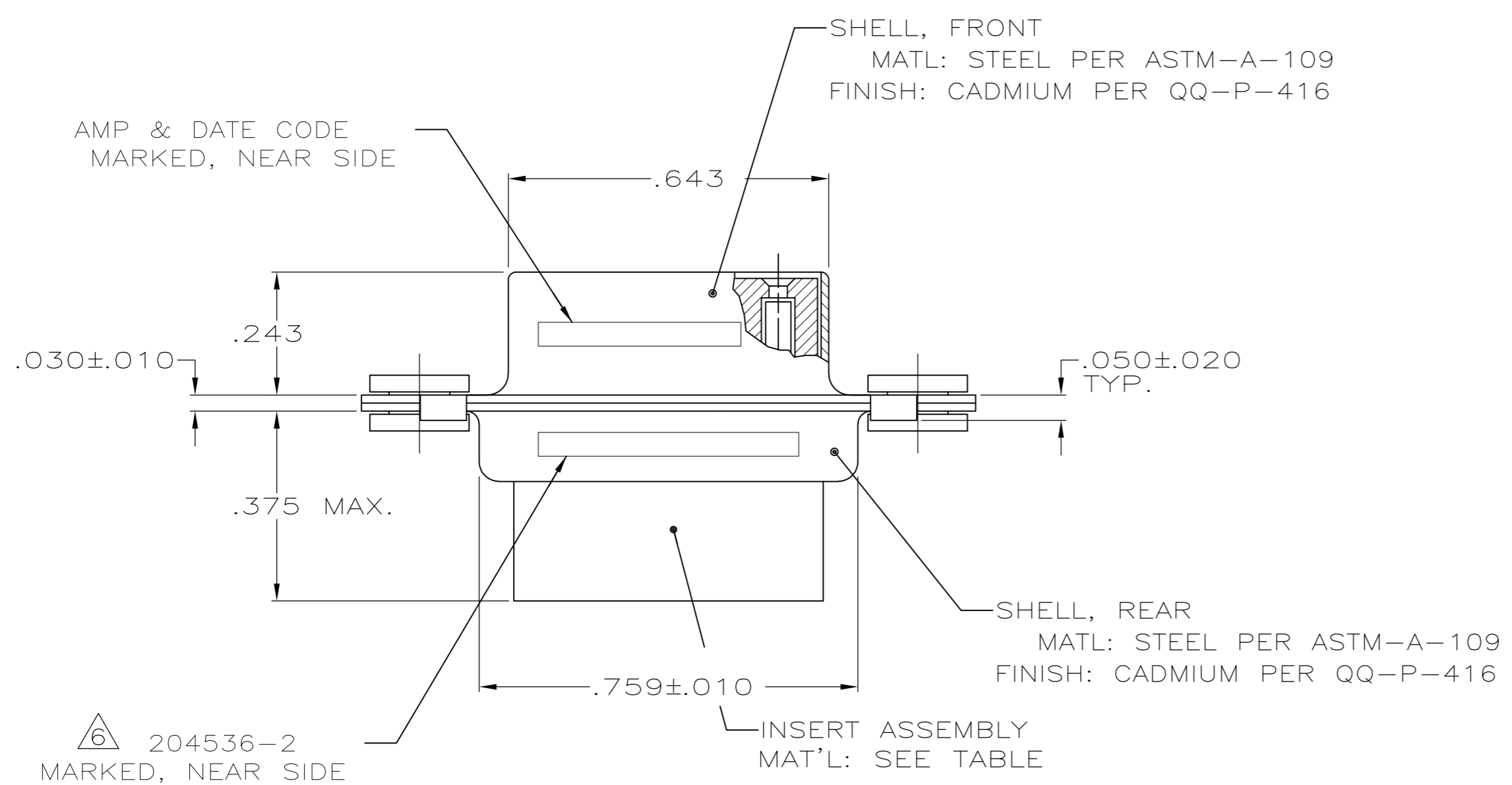
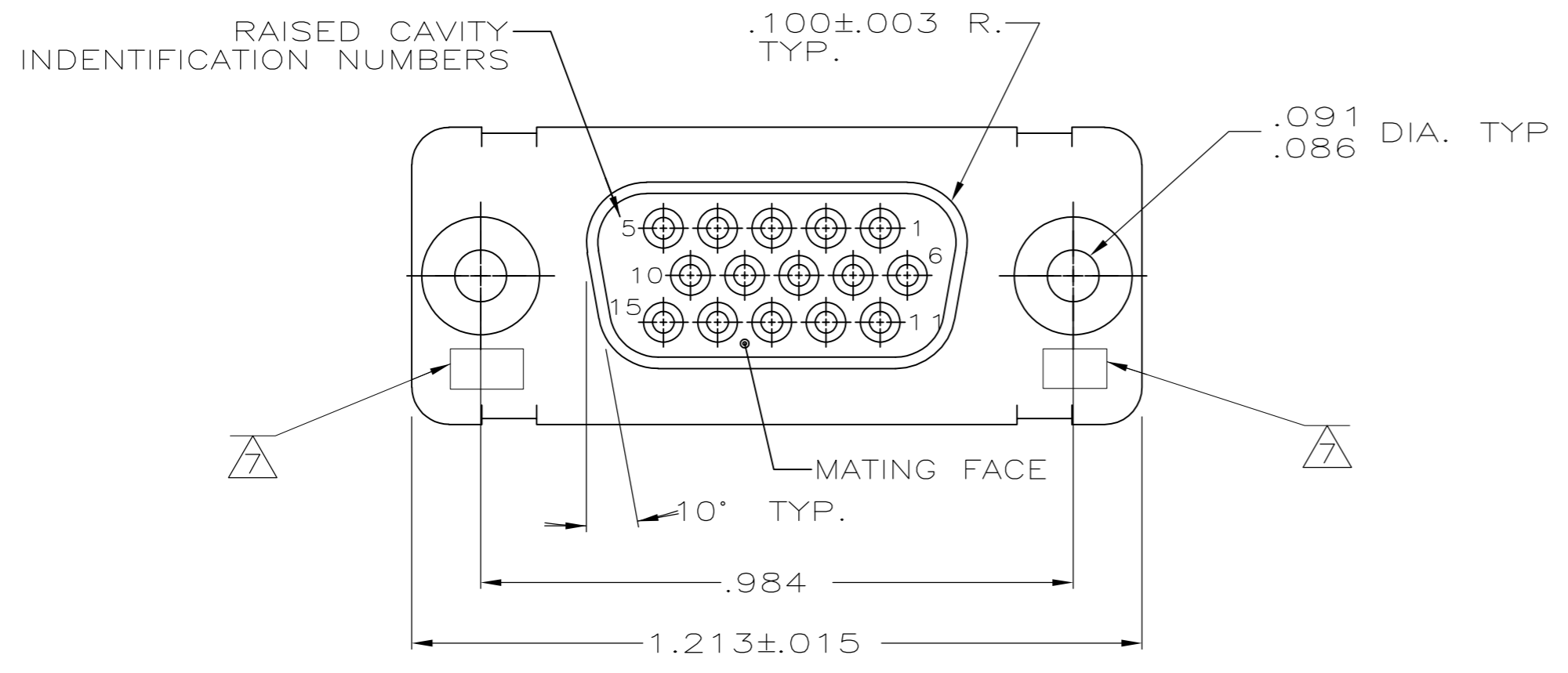


THIS DRAWING IS UNPUBLISHED. RELEASED FOR PUBLICATION  
 © COPYRIGHT - By - ALL RIGHTS RESERVED.

LOC		DIST		REVISIONS			
P	LTR	DESCRIPTION	DATE	DWN	APVD		
	R	REV PER ECO-15-016062	09NOV15	KG	CD		



- THIS RCPT. IS DESIGNED TO CONFORM TO THE LATEST ISSUE OF MIL-C-24308
  - MAX WIRE INSUL TO BE USED WITH THIS RCPT IS .054 DIA
  - METAL RETENTION CLIPS ARE INCLUDED IN INSERTS
  - PACKAGE MARKED M 24308/2-297F
  - THIS RCPT. WILL ACCEPT SIZE 22 SOCKET CONTACT M 24308/12 OR AMP # 204351
- AMP PART NO. MARKED ON CONNECTOR REPRESENTS KIT NUMBER WITH CONTACTS  
 UL/CSA DESIGNATION MARKED IN THIS AREA.

OBSOLETE	PHENOLIC, COLOR: BLACK	204524-2
	POLYPHENYLENE SULFIDE (PPS) GST-40F PER MIL-M-24519 OR GLASS FILLED POLYESTER TPES013G30 PER ASTM D5927 COLOR, BLACK	204524-1
	INSERT MATERIAL	PART NO.

THIS DRAWING IS A CONTROLLED DOCUMENT.		DWN	12-3-87	C.C. THOMAS	
DIMENSIONS: INCHES		CHK	1-25-88	F. BALLEW III	
TOLERANCES UNLESS OTHERWISE SPECIFIED:		APVD	1-25-88	D.J.M.	
0 PLC	± -	PRODUCT SPEC	-		
1 PLC	± -	APPLICATION SPEC	-		
2 PLC	± -	WEIGHT	-		
3 PLC	± .005	SCALE	4:1		
4 PLC	± -	SHEET	1 of 1		
ANGLES	± 0'30"	REV	R		
FINISH	SEE CALLOUTS	CUSTOMER DRAWING			

**STE** TE Connectivity  
 AMPLIMITE RCPT. FOR SOCKET CONTACTS  
 HI-DENSITY D CONN, SIZE 1, SERIES 90  
 WITH FLOAT BUSHINGS