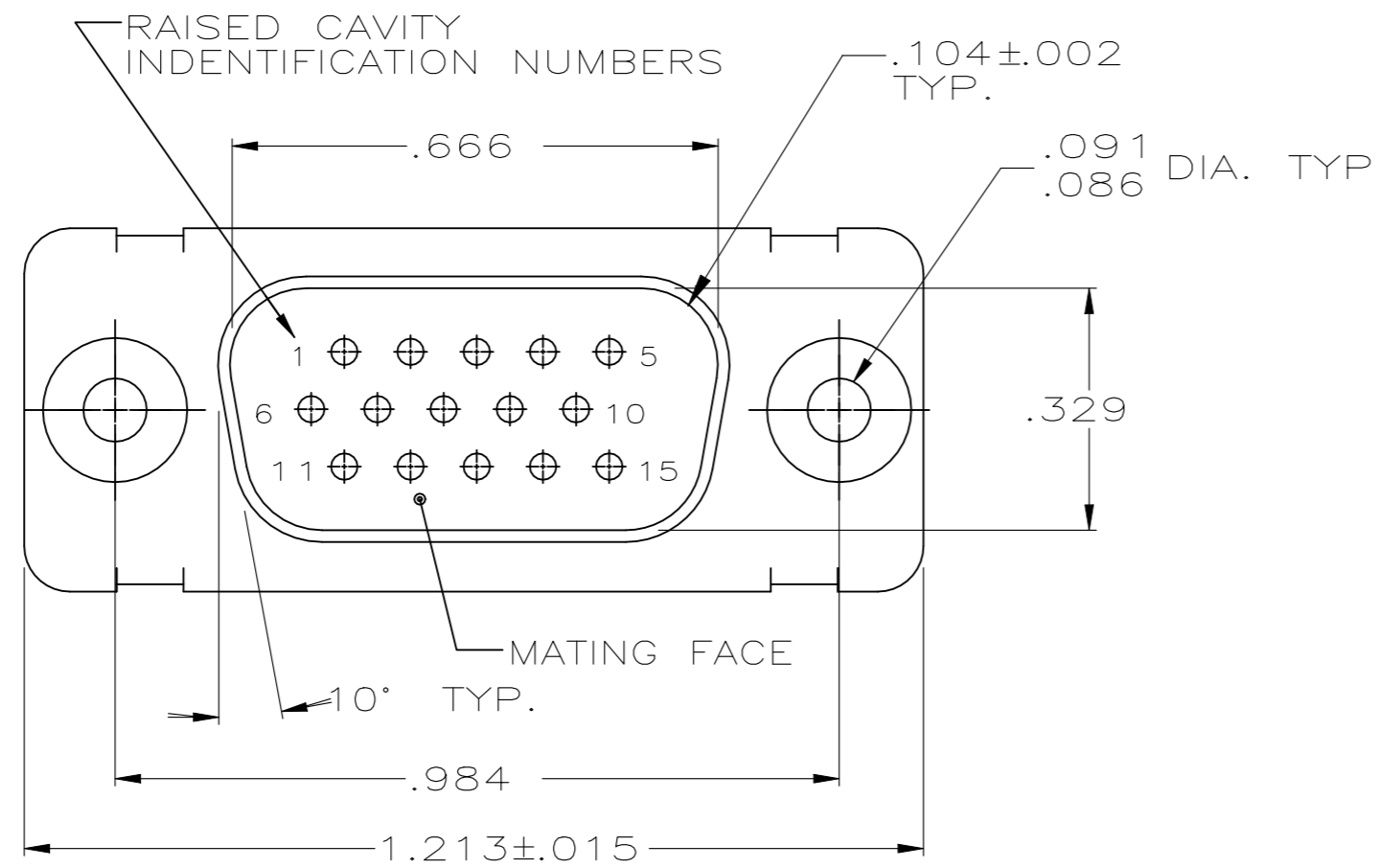
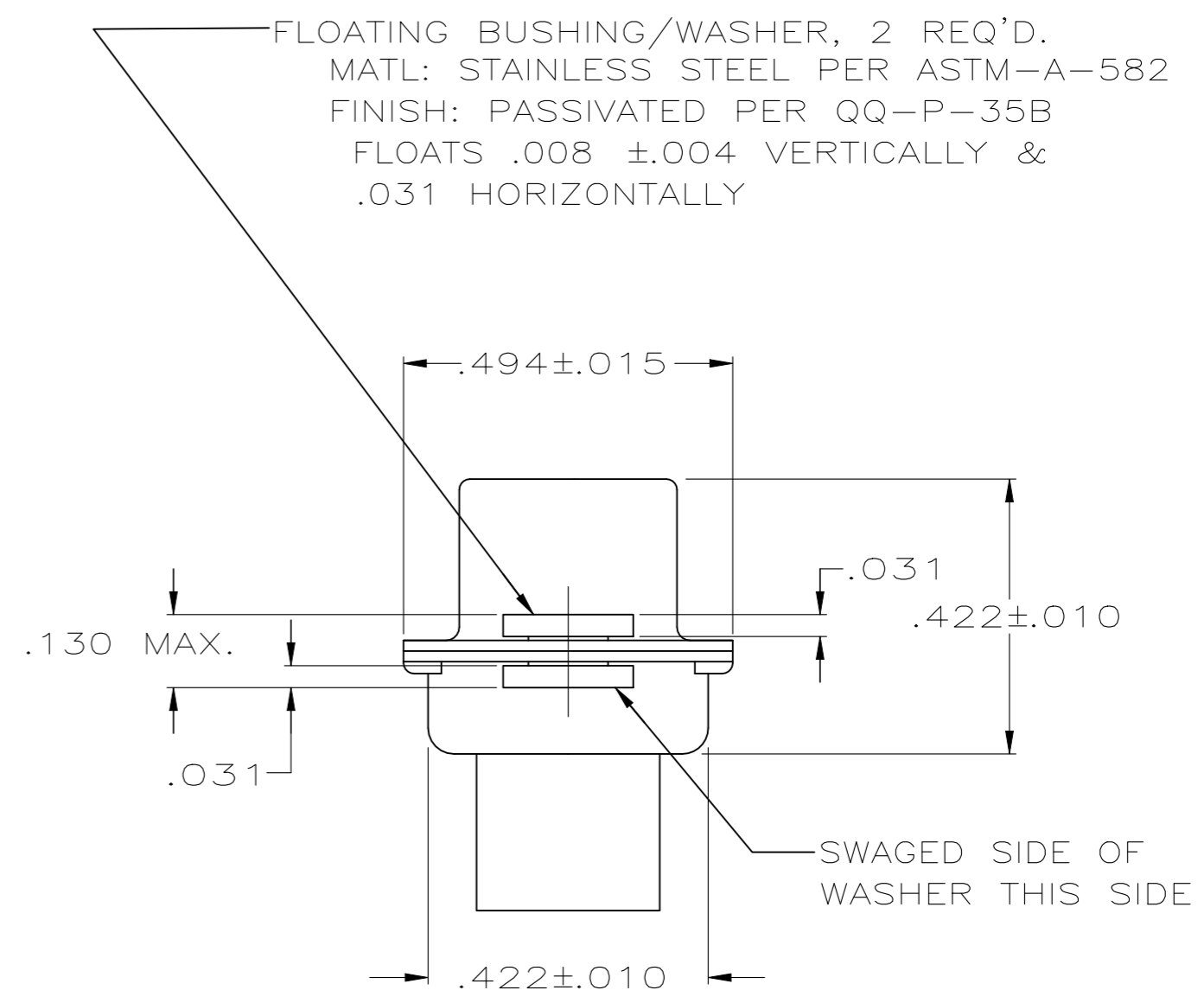
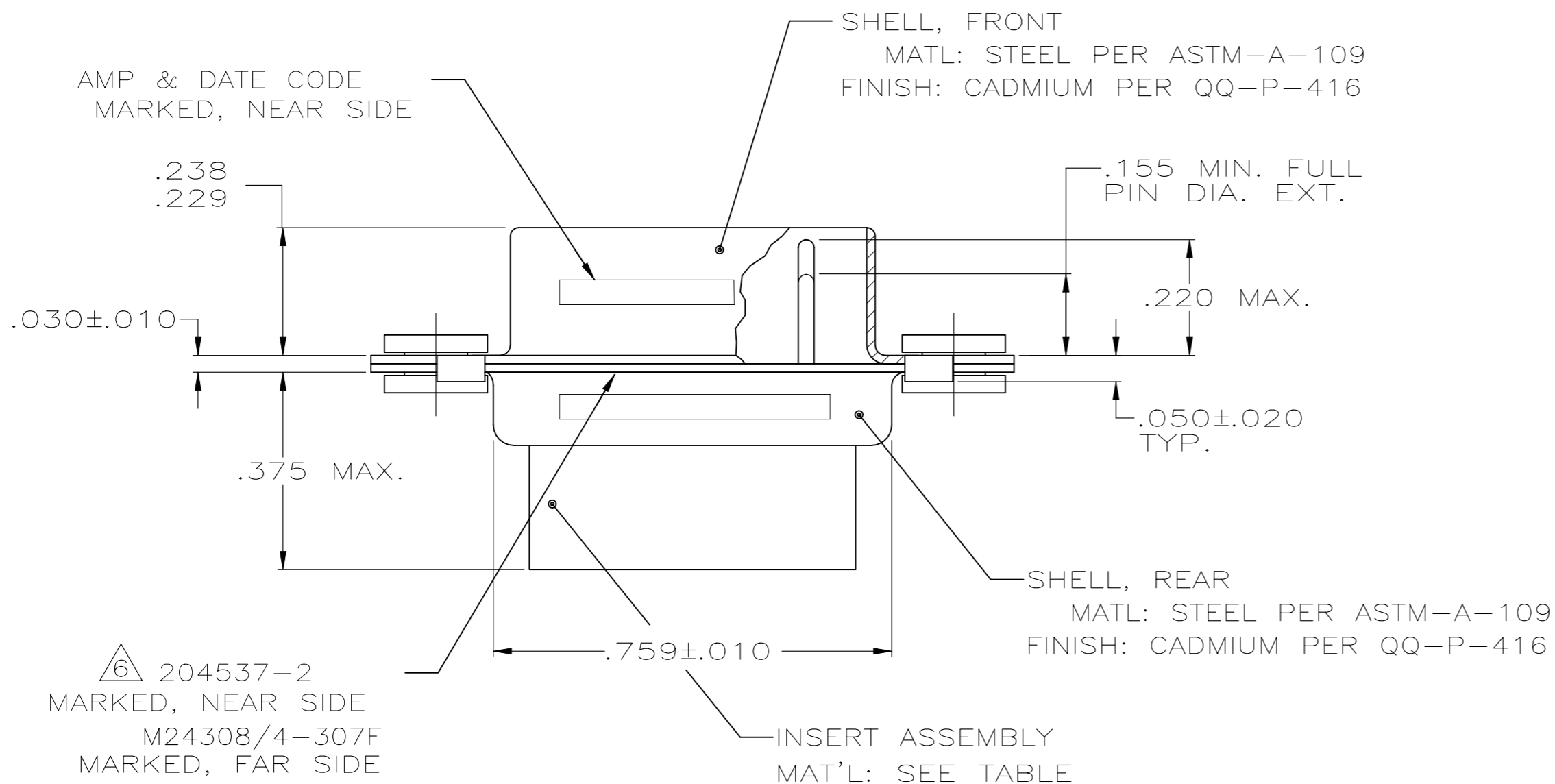


REVISIONS					
P	LTR	DESCRIPTION	DATE	DWN	APVD
V		REVISED PER ECN-24-267115	24MAY2024	PE	DS



WARNING - THIS DOCUMENT CONTAINS TECHNOLOGY WHOSE EXPORT IS RESTRICTED BY THE EXPORT ADMINISTRATION REGULATIONS ("EAR") PURSUANT TO 15 C.F.R. PARTS 730-774. VIOLATIONS OF THE EAR ARE SUBJECT TO SEVERE CRIMINAL PENALTIES UNDER THE EXPORT CONTROL REFORM ACT, AS AMENDED (TITLE 50, U.S.C., SEC. 4801, ET SEQ.).



- THIS PLUG IS DESIGNED TO CONFORM TO THE LATEST ISSUE OF MIL-C-24308
 - MAX WIRE INSUL. TO BE USED WITH THIS PLUG IS .054 DIA.
 - METAL RETENTION CLIPS ARE INCLUDED IN INSERTS
 - PACKAGE MARKED M 24308/4-329F
 - THIS PLUG WILL ACCEPT SIZE 22 PIN CONTACT M 24308/13 OR AMP # 204370
- AMP PART NO. MARKED ON CONNECTOR REPRESENTS KIT NUMBER WITH CONTACTS

OBSOLETE	PHENOLIC, COLOR: BLACK	204525-2
	POLYPHENYLENE SULFIDE (PPS) GST-40F PER MIL-M-24519 OR GLASS FILLED POLYESTER TPES013G30 PER ASTM D5927 COLOR, BLACK	204525-1
	INSERT MATERIAL	PART NO.

THIS DRAWING IS A CONTROLLED DOCUMENT.		DWN	C.C.THOMAS	12-3-87		TE Connectivity
		CHK	F.BALLEW III	1-25-88		
DIMENSIONS: INCHES		TOLERANCES UNLESS OTHERWISE SPECIFIED:		NAME		AMPLIMITE PLUG FOR PIN CONTACTS HI-DENSITY D CONN,SZ 1, SER 90, W/FLOAT BUSHINGS
0 PLC ± -		1 PLC ± -		PRODUCT SPEC		
1 PLC ± -		2 PLC ± -		APPLICATION SPEC		
2 PLC ± -		3 PLC ± .005		-		
3 PLC ± -		4 PLC ± -		WEIGHT		0.000000
4 PLC ± -		ANGLES ± -		FINISH		SEE CALLOUTS
MATERIAL		SEE CALLOUTS		SCALE		4:1
SEE CALLOUTS		SEE CALLOUTS		CUSTOMER DRAWING		SHEET 1 OF 1
				SIZE		A2
				CAGE CODE		00779
				DRAWING NO		C=204525
				RESTRICTED TO		-
				REV		V