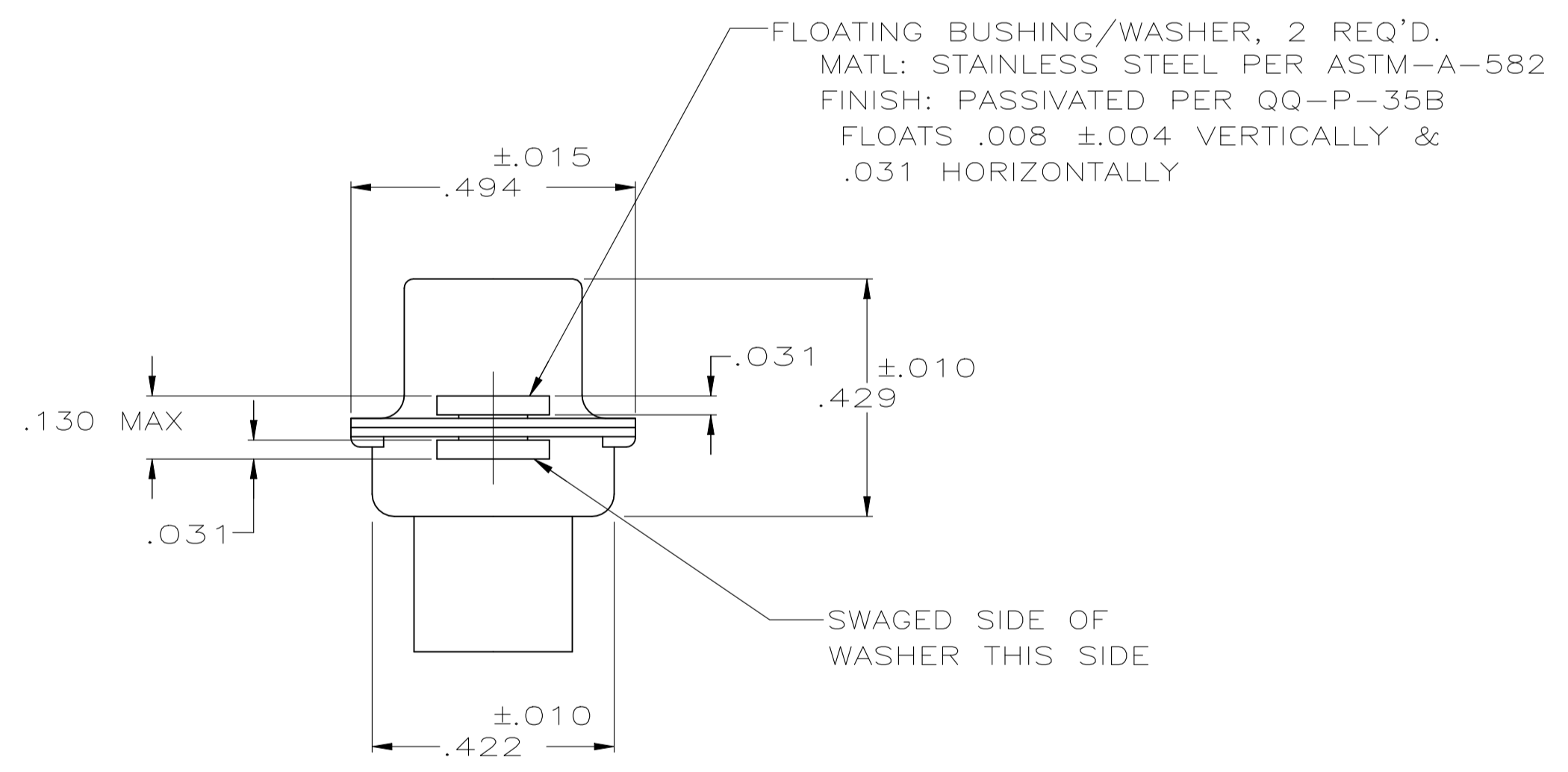
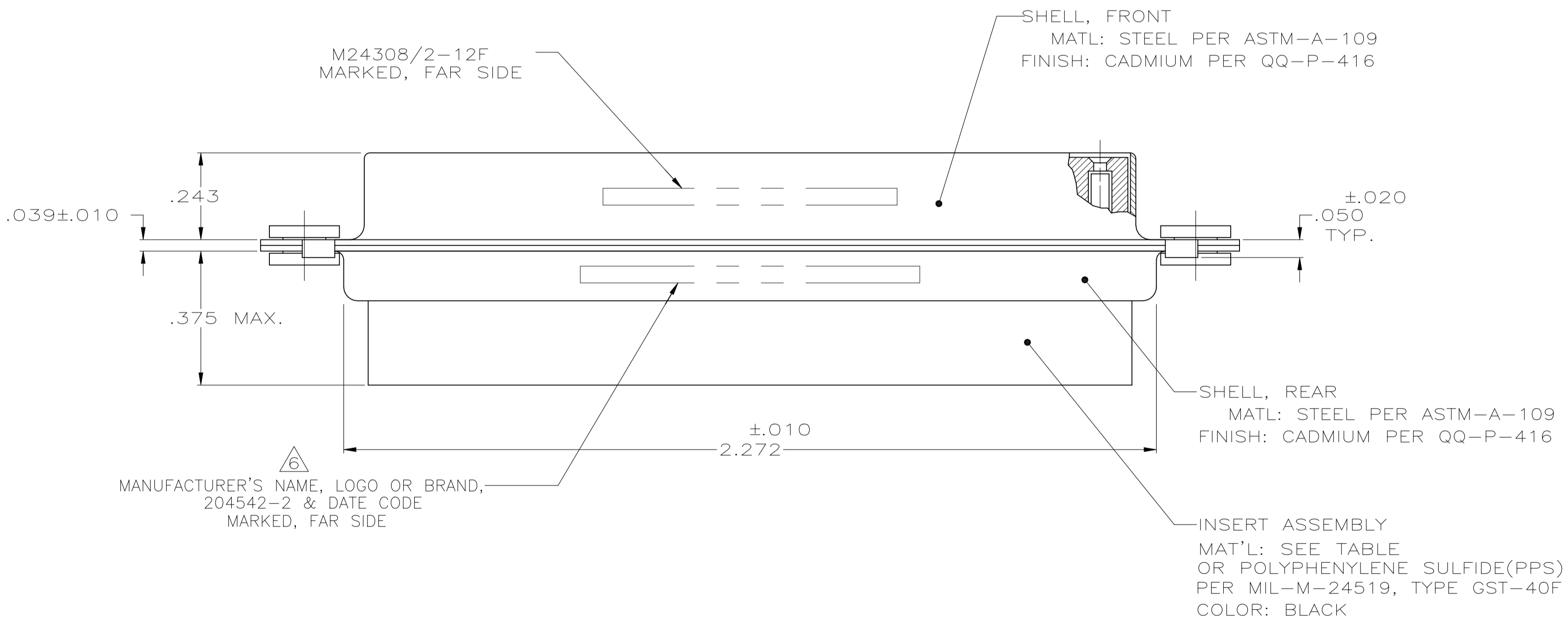
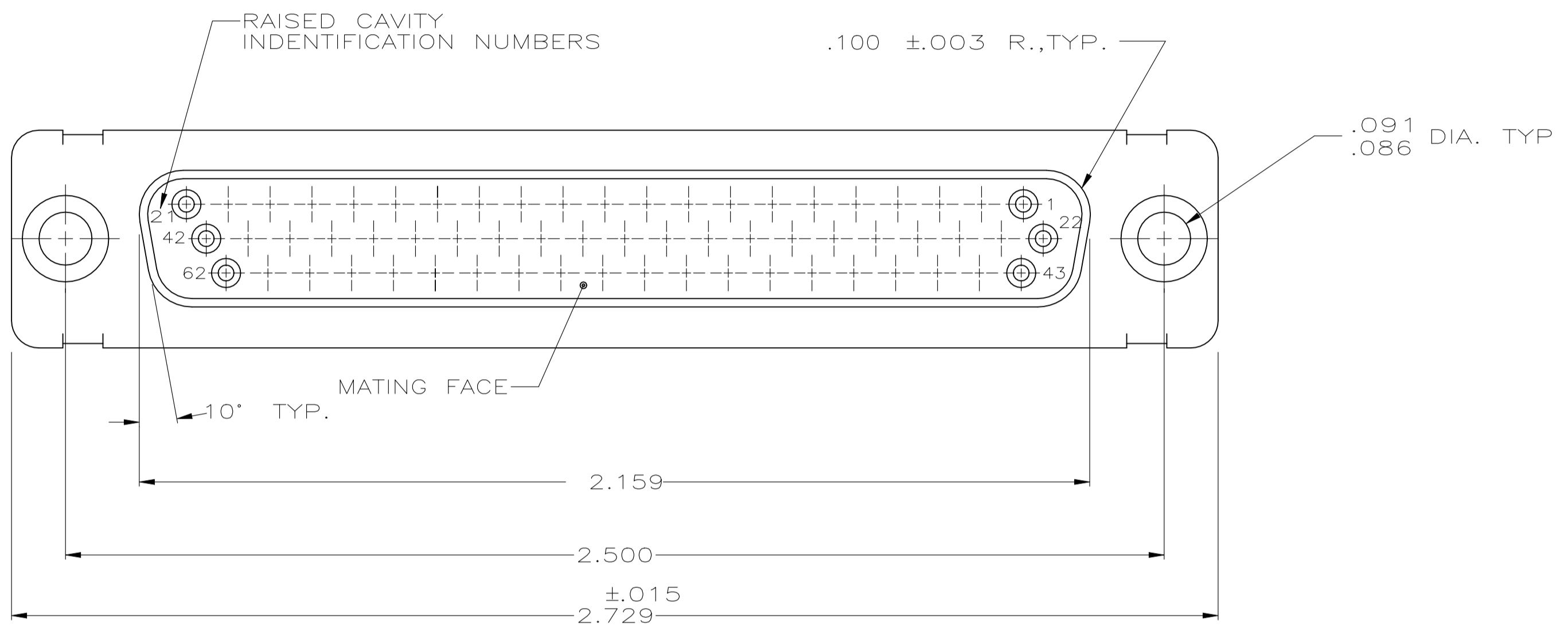


REVISIONS					
P	LTR	DESCRIPTION	DATE	DWN	APVD
R		REVISED PER ECN-24-271835	21JUN2024	PE	DS

- THIS RCPT. IS DESIGNED TO CONFORM TO THE LATEST ISSUE OF MIL-C-24308
 - MAX WIRE INSUL TO BE USED WITH THIS RCPT IS .054 DIA
 - METAL RETENTION CLIPS ARE INCLUDED IN INSERTS
 - PACKAGE MARKED M 24308/2-300F
 - THIS RCPT. WILL ACCEPT SIZE 22 SOCKET CONTACT M 24308/12 OR TE # 204351
- ⚠ MANUFACTURER'S PART NO. MARKED ON CONNECTOR REPRESENTS KIT NUMBER WITH CONTACTS

WARNING - THIS DOCUMENT CONTAINS TECHNOLOGY WHOSE EXPORT IS RESTRICTED BY THE EXPORT ADMINISTRATION REGULATIONS ("EAR") PURSUANT TO 15 C.F.R. PARTS 730-774. VIOLATIONS OF THE EAR ARE SUBJECT TO SEVERE CRIMINAL PENALTIES UNDER THE EXPORT CONTROL REFORM ACT, AS AMENDED (TITLE 50, U.S.C., SEC. 4801, ET SEQ.).



OBSOLETE	PHENOLIC COLOR: BLACK	204530-2
	DIALYL PHTHALETE COLOR: BLUE	204530-1
	INSERT MAT'L	PART NO

THIS DRAWING IS A CONTROLLED DOCUMENT.

DIMENSIONS: INCHES	TOLERANCES UNLESS OTHERWISE SPECIFIED:	DIN C.C. THOMAS 12-3-87	1-25-88
0. PLC ± -	1. PLC ± -	CHK F.C. BALLEW III	1-25-88
2. PLC ± -	3. PLC ± .005	APVD F.C. BALLEW III	1-25-88
4. PLC ANGLES ± 0°30'	FINISH SEE CALLOUTS	PRODUCT SPEC	RCPT ASSEMBLY, AMPLIMITE, 62 POSITION, SZ 4 SERIES 90, W/DUAL FLOATING BUSHINGS
MATERIAL SEE CALLOUTS	SEE CALLOUTS	APPLICATION SPEC	SIZE CAGE CODE DRAWING NO. RESTRICTED TO
		WEIGHT	A1 00779 C=204530
		CUSTOMER DRAWING	SCALE 4:1 SHEET 1 of 1 REV R

STE TE Connectivity