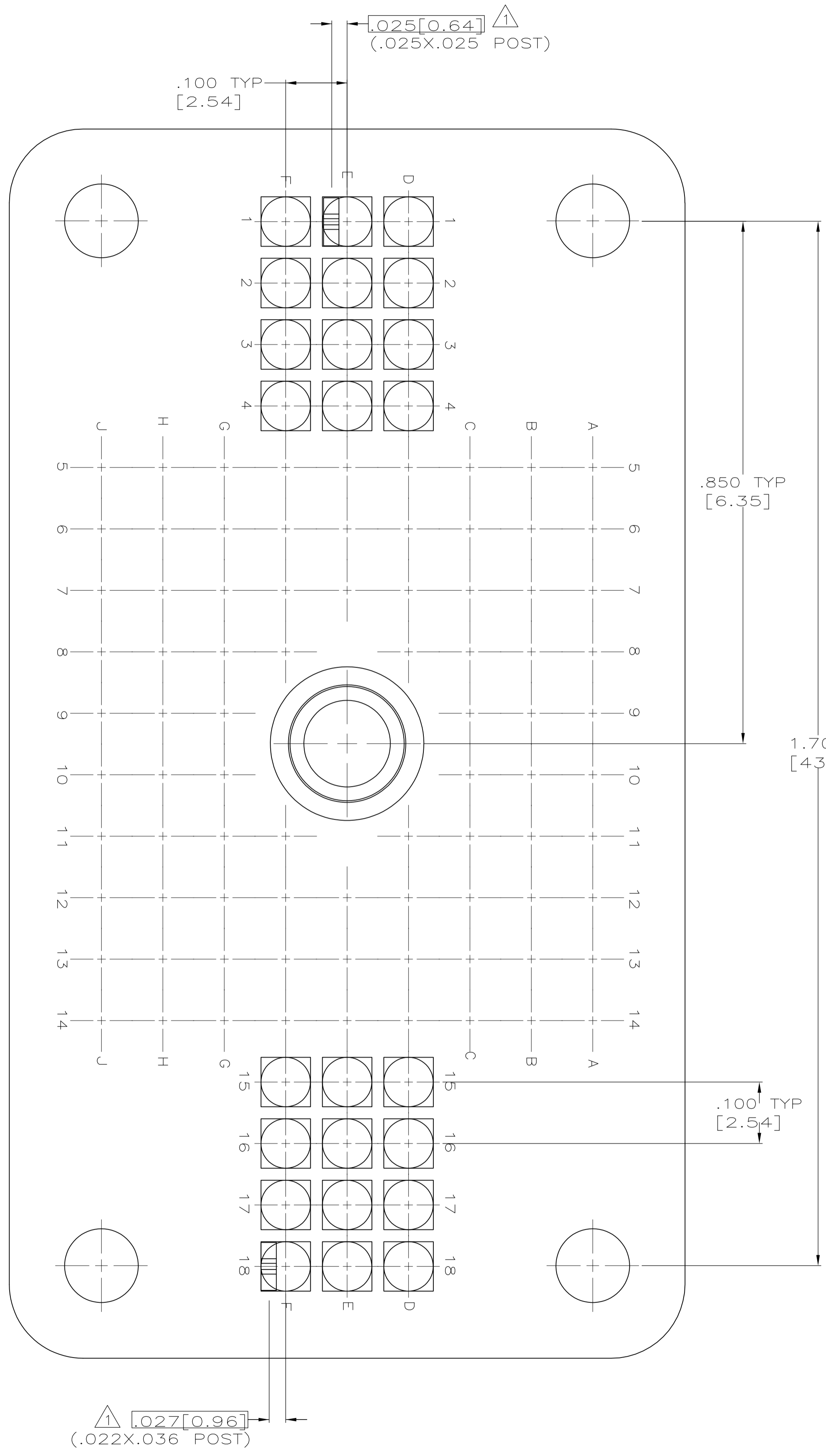
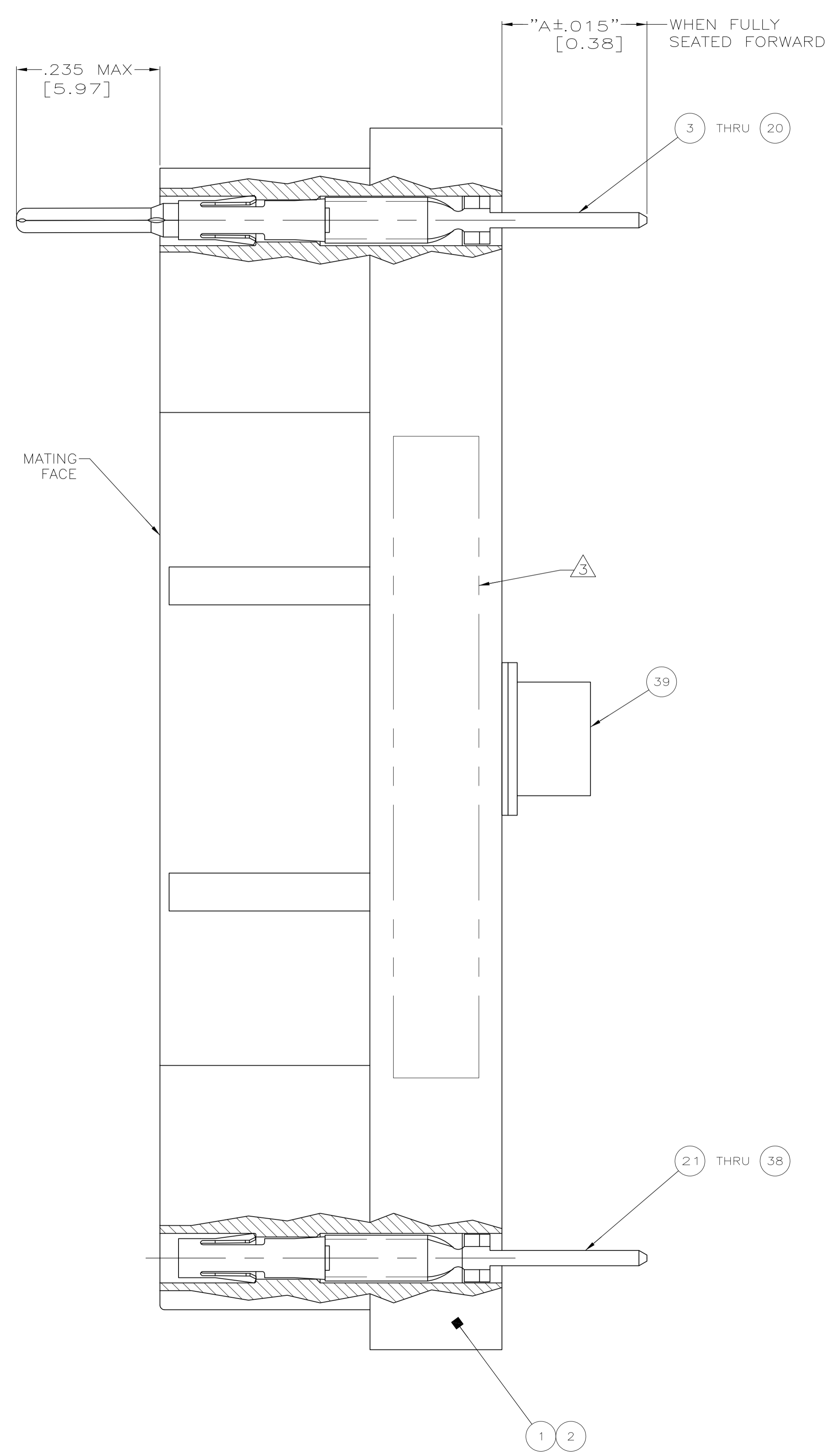
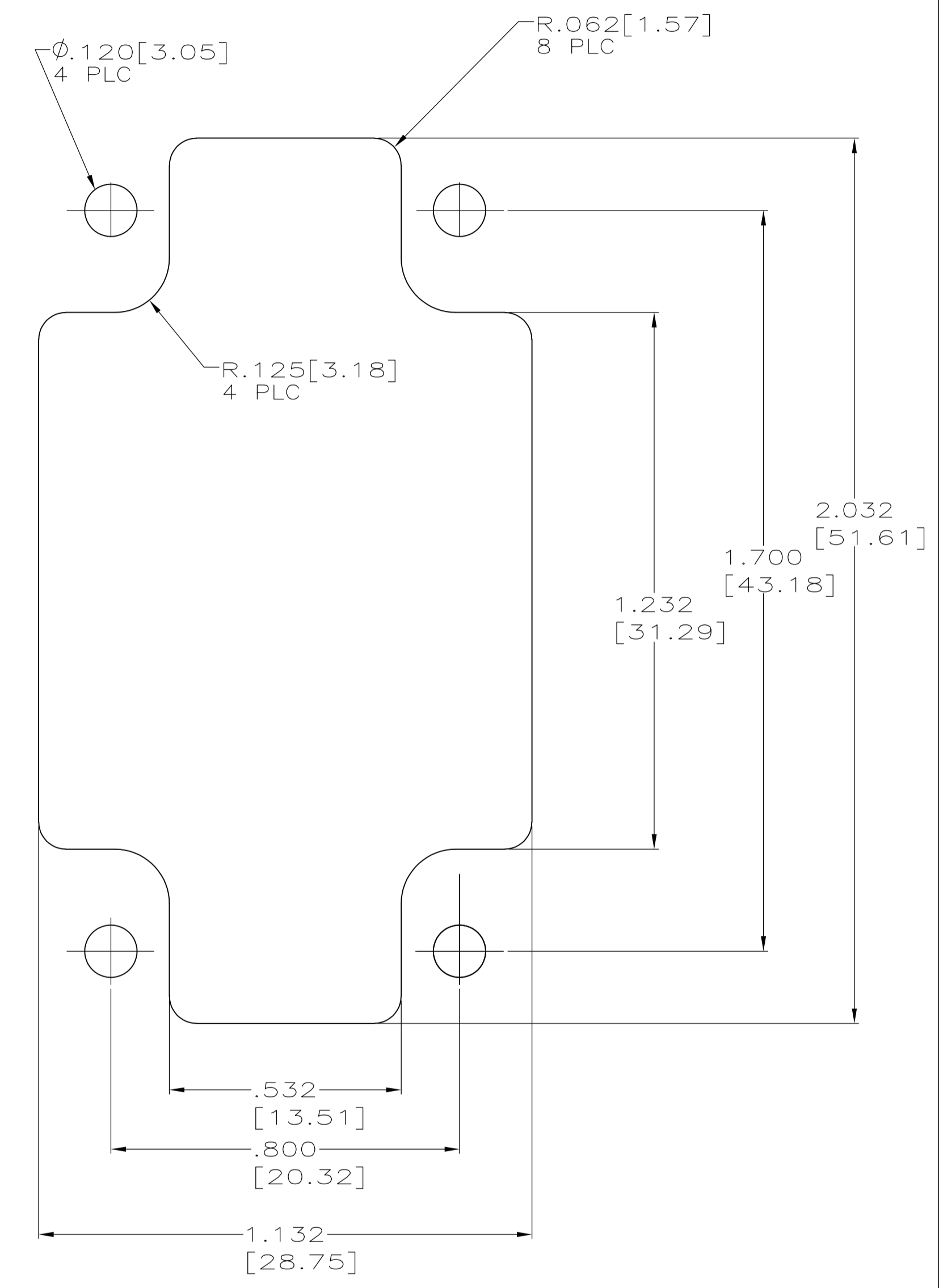


| REVISIONS | | | | |
|-----------|-----------------------|--------|----|-------|
| REV | DESCRIPTION | DATE | BY | APP'D |
| N | REV PER ECO 17-009796 | 8-2-17 | CT | DM |



- △ THE TIP OF THE CONTACT POSTS WILL FALL WITHIN .025 DIAMETER TRUE POSITION OF EACH OTHER.
- 2. PARTS TO BE ASSEMBLED BY AMP INC.
- △ AMP, PART NUMBER AND DATE CODE MARKED ON EITHER SIDE.



SUGGESTED PANEL CUTOUT SCALE 4:1

| TERMINATION | NUMBER OF TERMINATIONS | TYPE OF POST |
|--------------|------------------------|----------------|
| .520 [13.21] | 3 | .022X.036 POST |
| .370 [9.40] | 2 | |
| .220 [5.59] | 1 | .025X.025 POST |
| .670 [17.02] | 3 | |
| .456 [11.58] | 2 | .025X.025 POST |
| .242 [6.15] | 1 | |
| "A" | NUMBER OF TERMINATIONS | TYPE OF POST |

THIS DRAWING IS A CONTROLLED DOCUMENT.

| | | | |
|--------------------|--|-------------|--------|
| DIMENSIONS: INCHES | TOLERANCES UNLESS OTHERWISE SPECIFIED: | DRAWING NO. | REV |
| 0 PLC ± - | 1 PLC ± - | 00779 | 1 |
| 2 PLC ± - | 3 PLC ± .005(0.13) | 204691 | 3 |
| 4 PLC ± - | ANGLES ± - | SCALE | SHEET |
| MATERIAL SEE TABLE | FINISH SEE TABLE | 8:1 | 1 OF 3 |

TE Connectivity

106 POSITION, HDR, PLUG W/ JACKSCREW

CUSTOMER DRAWING

| REVISIONS | | | | |
|-----------|-----|-------------|------|-------|
| P | LTR | DESCRIPTION | DATE | APPV |
| - | | SEE SHEET 1 | - | GT JM |

| QTY | UNIT | DESCRIPTION | DATE | APPV |
|-----|------|---------------------------------|------|------|
| 1 | A | 203879-1 FEMALE | | |
| - | C | 1-205172-2 GOLD/NICKEL | | |
| - | C | 1-205172-1 GOLD/NICKEL | | |
| - | C | 1-205172-0 GOLD/NICKEL | | |
| - | C | 205172-9 SELECTIVE GOLD | | |
| - | C | 205172-8 SELECTIVE GOLD | | |
| - | C | 205172-7 SELECTIVE GOLD | | |
| - | C | 205172-3 TIN | | |
| - | C | 205172-2 TIN | | |
| - | C | 205172-1 TIN | | |
| 106 | C | 204292-9 SELECTIVE GOLD | | |
| - | C | 204292-8 SELECTIVE GOLD | | |
| - | C | 204292-7 SELECTIVE GOLD | | |
| - | C | 204292-6 NICKEL | | |
| - | C | 204292-5 NICKEL | | |
| - | C | 204292-4 NICKEL | | |
| - | C | 204292-3 GOLD/NICKEL | | |
| - | C | 204292-2 GOLD/NICKEL | | |
| - | C | 204292-1 GOLD/NICKEL | | |
| - | C | 204285-9 SELECTIVE GOLD | | |
| - | C | 204285-8 SELECTIVE GOLD | | |
| - | C | 204285-7 SELECTIVE GOLD | | |
| - | C | 204285-6 TIN | | |
| - | C | 204285-5 TIN | | |
| - | C | 204285-4 TIN | | |
| - | C | 204285-3 GOLD/NICKEL | | |
| - | C | 204285-2 GOLD/NICKEL | | |
| - | C | 204285-1 GOLD/NICKEL | | |
| - | C | 1-205171-2 GOLD/NICKEL | | |
| - | C | 1-205171-1 GOLD/NICKEL | | |
| - | C | 1-205171-0 GOLD/NICKEL | | |
| - | C | 205171-9 SELECTIVE GOLD | | |
| - | C | 205171-8 SELECTIVE GOLD | | |
| - | C | 205171-7 SELECTIVE GOLD | | |
| - | C | 205171-3 TIN | | |
| - | C | 205171-2 TIN | | |
| - | C | 205171-1 TIN | | |
| 1 | D | 204260-2 DIALLYL PHTHALATE-BLUE | | |
| - | D | 204260-1 PHENOLIC-BLACK | | |

| QTY | UNIT | DESCRIPTION | DATE | APPV | | |
|---|----------|-------------|---------|--------------|-------------|---------|
| 5-45-35-25-15-04-94-84-74-64-54-44-34-24-14-03-93-83-73-63-53-43-33-23-13-02-92-82-72-62-52-42-32-22-12-01-91-81-71-61-51-41-31-21-11-0-9-8-7-6-5-4-3-2-1 | DWG SIZE | PART NO | REMARKS | TERMINATIONS | DESCRIPTION | ITEM NO |
| OBS | | | | | | |

THIS DRAWING IS A CONTROLLED DOCUMENT.

DIMENSIONS: INCHES

TOLERANCES UNLESS OTHERWISE SPECIFIED:
 0 PLC ± -
 1 PLC ± -
 2 PLC ± -
 3 PLC ± .005(0.13)
 4 PLC ± -
 ANGLES ± -

MATERIAL: SEE TABLE

APPROVED: T. THOMPSON 09-08-95

CHK: D. MUMMEY 09-08-95

APPROVED: D. MUMMEY 09-08-95

PRODUCT SPEC

APPLICATION SPEC

WEIGHT: -

CUSTOMER DRAWING

TE Connectivity

106 POSITION, HDR, PLUG W/ JACKSCREW

SIZE: A1

SCALE: 8:1

SHEET: 2 OF 3

REV: N

THIS DRAWING IS UNPUBLISHED. RELEASED FOR PUBLICATION
COPYRIGHT - TE Connectivity ALL RIGHTS RESERVED.

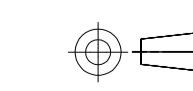
| REVISIONS | | | | |
|-----------|-----|-------------|------|-------|
| P | LTR | DESCRIPTION | DATE | APPV |
| - | | SEE SHEET 1 | - | GT JM |

| | | | | | | | | | | | | | | | | | | | | | | |
|-----|-----|-----|-----|-----|-----|-----|-----|-----|-----|-----|-----|-----|-----|---|-----|---|---|------------|-----------------------|---|------------------------------|----|
| 1 | 1 | 1 | 1 | 1 | 1 | 1 | 1 | 1 | 1 | 1 | 1 | 1 | 1 | 1 | 1 | 1 | A | 203879-1 | FEMALE | - | JACKSCREW ASSY KIT | 39 |
| - | - | - | - | - | - | 106 | - | - | - | - | - | - | - | - | 106 | - | C | 1-205172-2 | GOLD/NICKEL | 3 | SOCKET ASSY .025 X .025 POST | 38 |
| - | - | - | - | - | - | 106 | - | - | - | - | - | - | - | - | 106 | - | C | 1-205172-1 | GOLD/NICKEL | 2 | SOCKET ASSY .025 X .025 POST | 37 |
| - | - | - | - | - | - | - | 106 | - | - | - | - | - | - | - | 106 | - | C | 1-205172-0 | GOLD/NICKEL | 1 | SOCKET ASSY .025 X .025 POST | 36 |
| 106 | - | - | - | - | - | - | - | 106 | - | - | - | - | - | - | - | - | C | 205172-9 | SELECTIVE GOLD | 3 | SOCKET ASSY .025 X .025 POST | 35 |
| - | 106 | - | - | - | - | - | - | - | 106 | - | - | - | - | - | - | - | C | 205172-8 | SELECTIVE GOLD | 2 | SOCKET ASSY .025 X .025 POST | 34 |
| - | - | 106 | - | - | - | - | - | - | - | 106 | - | - | - | - | - | - | C | 205172-7 | SELECTIVE GOLD | 1 | SOCKET ASSY .025 X .025 POST | 33 |
| - | - | - | 106 | - | - | - | - | - | - | - | 106 | - | - | - | - | - | C | 205172-3 | TIN | 3 | SOCKET ASSY .025 X .025 POST | 32 |
| - | - | - | - | 106 | - | - | - | - | - | - | - | 106 | - | - | - | - | C | 205172-2 | TIN | 2 | SOCKET ASSY .025 X .025 POST | 31 |
| - | - | - | - | - | 106 | - | - | - | - | - | - | - | 106 | - | - | - | C | 205172-1 | TIN | 1 | SOCKET ASSY .025 X .025 POST | 30 |
| - | - | - | - | - | - | - | - | - | - | - | - | - | - | - | - | - | C | 204292-9 | SELECTIVE GOLD | 3 | SOCKET ASSY .022 X .036 POST | 29 |
| - | - | - | - | - | - | - | - | - | - | - | - | - | - | - | - | - | C | 204292-8 | SELECTIVE GOLD | 2 | SOCKET ASSY .022 X .036 POST | 28 |
| - | - | - | - | - | - | - | - | - | - | - | - | - | - | - | - | - | C | 204292-7 | SELECTIVE GOLD | 1 | SOCKET ASSY .022 X .036 POST | 27 |
| - | - | - | - | - | - | - | - | - | - | - | - | - | - | - | - | - | C | 204292-6 | NICKEL | 3 | SOCKET ASSY .022 X .036 POST | 26 |
| - | - | - | - | - | - | - | - | - | - | - | - | - | - | - | - | - | C | 204292-5 | NICKEL | 2 | SOCKET ASSY .022 X .036 POST | 25 |
| - | - | - | - | - | - | - | - | - | - | - | - | - | - | - | - | - | C | 204292-4 | NICKEL | 1 | SOCKET ASSY .022 X .036 POST | 24 |
| - | - | - | - | - | - | - | - | - | - | - | - | - | - | - | - | - | C | 204292-3 | GOLD/NICKEL | 3 | SOCKET ASSY .022 X .036 POST | 23 |
| - | - | - | - | - | - | - | - | - | - | - | - | - | - | - | - | - | C | 204292-2 | GOLD/NICKEL | 2 | SOCKET ASSY .022 X .036 POST | 22 |
| - | - | - | - | - | - | - | - | - | - | - | - | - | - | - | - | - | C | 204292-1 | GOLD/NICKEL | 1 | SOCKET ASSY .022 X .036 POST | 21 |
| - | - | - | - | - | - | - | - | - | - | - | - | - | - | - | - | - | C | 204285-9 | SELECTIVE GOLD | 1 | PIN ASSY .022 X .036 POST | 20 |
| - | - | - | - | - | - | - | - | - | - | - | - | - | - | - | - | - | C | 204285-8 | SELECTIVE GOLD | 2 | PIN ASSY .022 X .036 POST | 19 |
| - | - | - | - | - | - | - | - | - | - | - | - | - | - | - | - | - | C | 204285-7 | SELECTIVE GOLD | 3 | PIN ASSY .022 X .036 POST | 18 |
| - | - | - | - | - | - | - | - | - | - | - | - | - | - | - | - | - | C | 204285-6 | TIN | 1 | PIN ASSY .022 X .036 POST | 17 |
| - | - | - | - | - | - | - | - | - | - | - | - | - | - | - | - | - | C | 204285-5 | TIN | 2 | PIN ASSY .022 X .036 POST | 16 |
| - | - | - | - | - | - | - | - | - | - | - | - | - | - | - | - | - | C | 204285-4 | TIN | 3 | PIN ASSY .022 X .036 POST | 15 |
| - | - | - | - | - | - | - | - | - | - | - | - | - | - | - | - | - | C | 204285-3 | GOLD/NICKEL | 1 | PIN ASSY .022 X .036 POST | 14 |
| - | - | - | - | - | - | - | - | - | - | - | - | - | - | - | - | - | C | 204285-2 | GOLD/NICKEL | 2 | PIN ASSY .022 X .036 POST | 13 |
| - | - | - | - | - | - | - | - | - | - | - | - | - | - | - | - | - | C | 204285-1 | GOLD/NICKEL | 3 | PIN ASSY .022 X .036 POST | 12 |
| - | - | - | - | - | - | - | - | - | - | - | - | - | - | - | - | - | C | 1-205171-2 | GOLD/NICKEL | 3 | PIN ASSY .025 X .025 POST | 11 |
| - | - | - | - | - | - | - | - | - | - | - | - | - | - | - | - | - | C | 1-205171-1 | GOLD/NICKEL | 2 | PIN ASSY .025 X .025 POST | 10 |
| - | - | - | - | - | - | - | - | - | - | - | - | - | - | - | - | - | C | 1-205171-0 | GOLD/NICKEL | 1 | PIN ASSY .025 X .025 POST | 9 |
| - | - | - | - | - | - | - | - | - | - | - | - | - | - | - | - | - | C | 205171-9 | SELECTIVE GOLD | 3 | PIN ASSY .025 X .025 POST | 8 |
| - | - | - | - | - | - | - | - | - | - | - | - | - | - | - | - | - | C | 205171-8 | SELECTIVE GOLD | 2 | PIN ASSY .025 X .025 POST | 7 |
| - | - | - | - | - | - | - | - | - | - | - | - | - | - | - | - | - | C | 205171-7 | SELECTIVE GOLD | 1 | PIN ASSY .025 X .025 POST | 6 |
| - | - | - | - | - | - | - | - | - | - | - | - | - | - | - | - | - | C | 205171-3 | TIN | 3 | PIN ASSY .025 X .025 POST | 5 |
| - | - | - | - | - | - | - | - | - | - | - | - | - | - | - | - | - | C | 205171-2 | TIN | 2 | PIN ASSY .025 X .025 POST | 4 |
| - | - | - | - | - | - | - | - | - | - | - | - | - | - | - | - | - | C | 205171-1 | TIN | 1 | PIN ASSY .025 X .025 POST | 3 |
| 1 | 1 | 1 | 1 | 1 | 1 | 1 | 1 | 1 | 1 | 1 | 1 | 1 | 1 | 1 | 1 | 1 | D | 204260-2 | DIALYL PHTHALATE-BLUE | - | BLOCK | 2 |
| - | - | - | - | - | - | - | - | 1 | 1 | 1 | 1 | 1 | 1 | 1 | 1 | 1 | D | 204260-1 | PHENOLIC-BLACK | - | BLOCK | 1 |

| 7-27 | 17-06 | 96-86 | 76-66 | 56-46 | 36-26 | 16-05 | 95-85 | 75-65 | 55 | DWG SIZE | PART NO | REMARKS | TERMINATIONS | DESCRIPTION | ITEM NO |
|------|-------|-------|-------|-------|-------|-------|-------|-------|-----|----------|---------|---------|--------------|-------------|---------|
| OBS | OBS | | OBS | OBS | OBS | OBS | | OBS | OBS | | | | | | |

THIS DRAWING IS A CONTROLLED DOCUMENT.

DIMENSIONS: INCHES



TOLERANCES UNLESS OTHERWISE SPECIFIED:

| | |
|--------|--------------|
| 0. PLC | ± .005 |
| 1. PLC | ± .005 |
| 2. PLC | ± .005 |
| 3. PLC | ± .005(0.13) |
| 4. PLC | ± .005 |
| ANGLES | ± .005 |

MATERIAL: SEE TABLE

FINISH: SEE TABLE

| | |
|--------------------------|--|
| DIN T. THOMPSON 09-08-95 | STE TE Connectivity |
| CHK D. MUMMEY 09-08-95 | |
| APPV D. MUMMEY 09-08-95 | NAME: 106 POSITION, HDR, PLUG W/ JACKSCREW |
| PRODUCT SPEC | APPLICATION SPEC |
| SIZE: A1 | CAGE CODE: 00779 |
| DRAWING NO: 204691 | RESTRICTED TO: - |
| WEIGHT: - | CUSTOMER DRAWING |
| SCALE: 8:1 | SHEET 3 OF 3 |
| REV: N | |