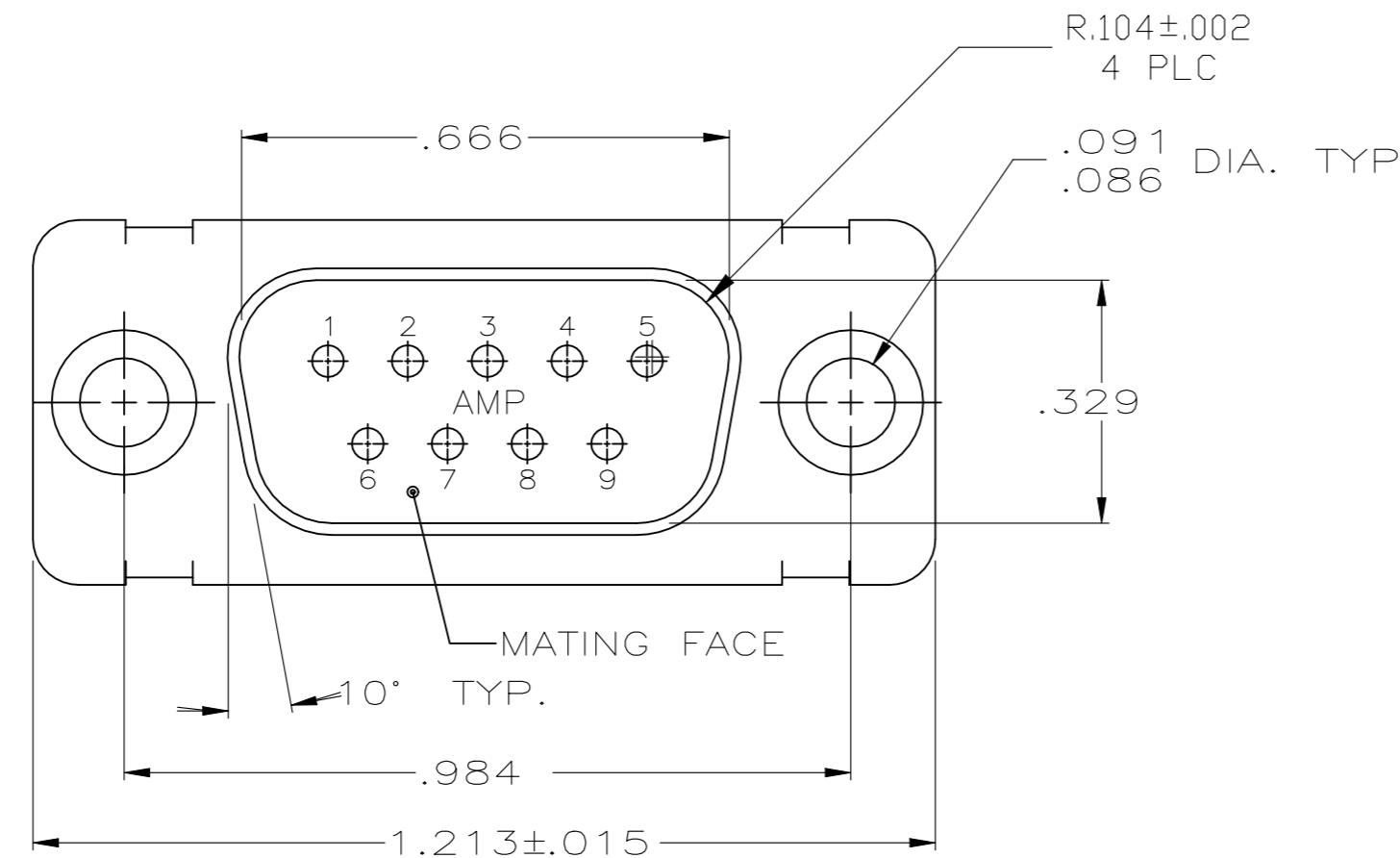
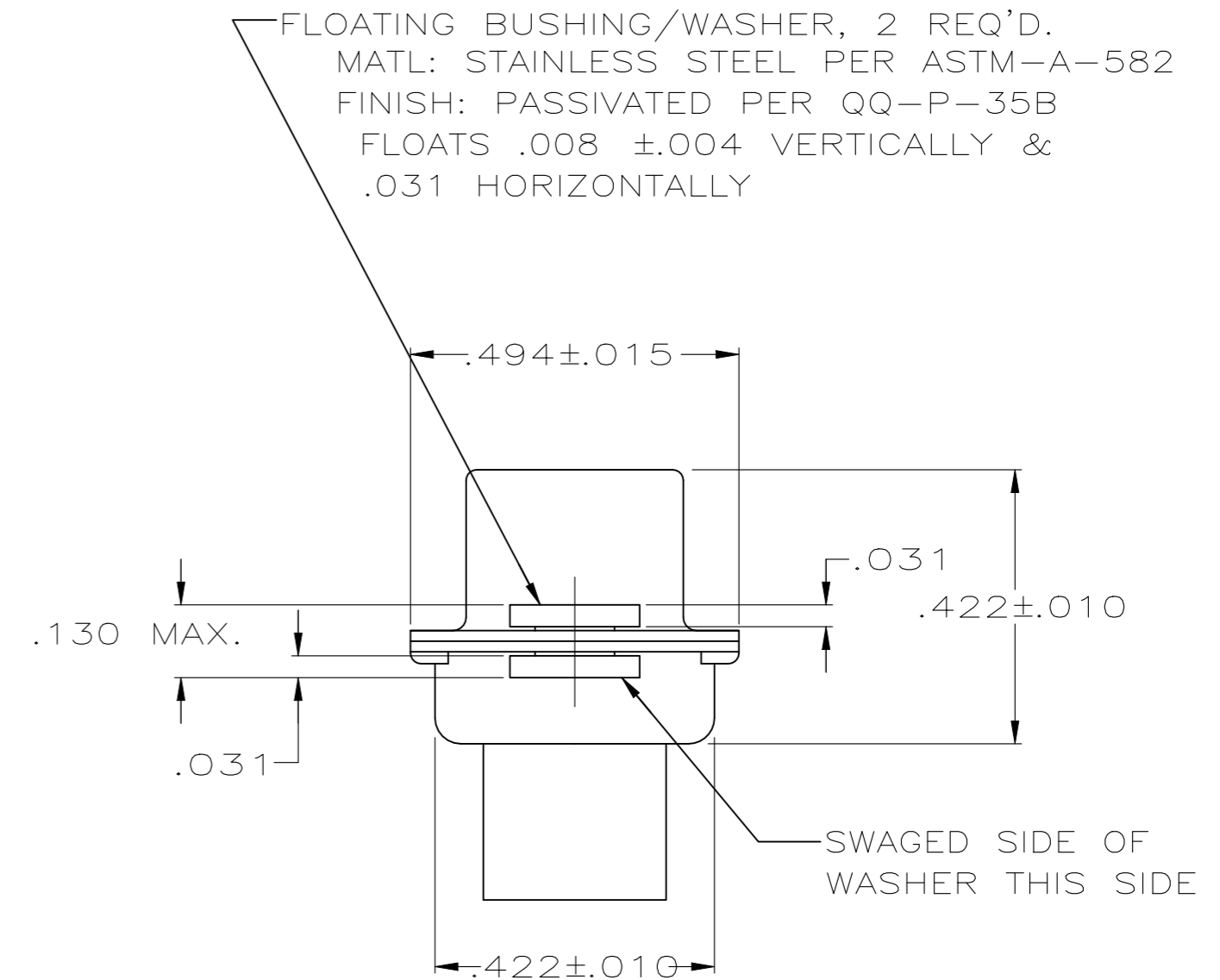
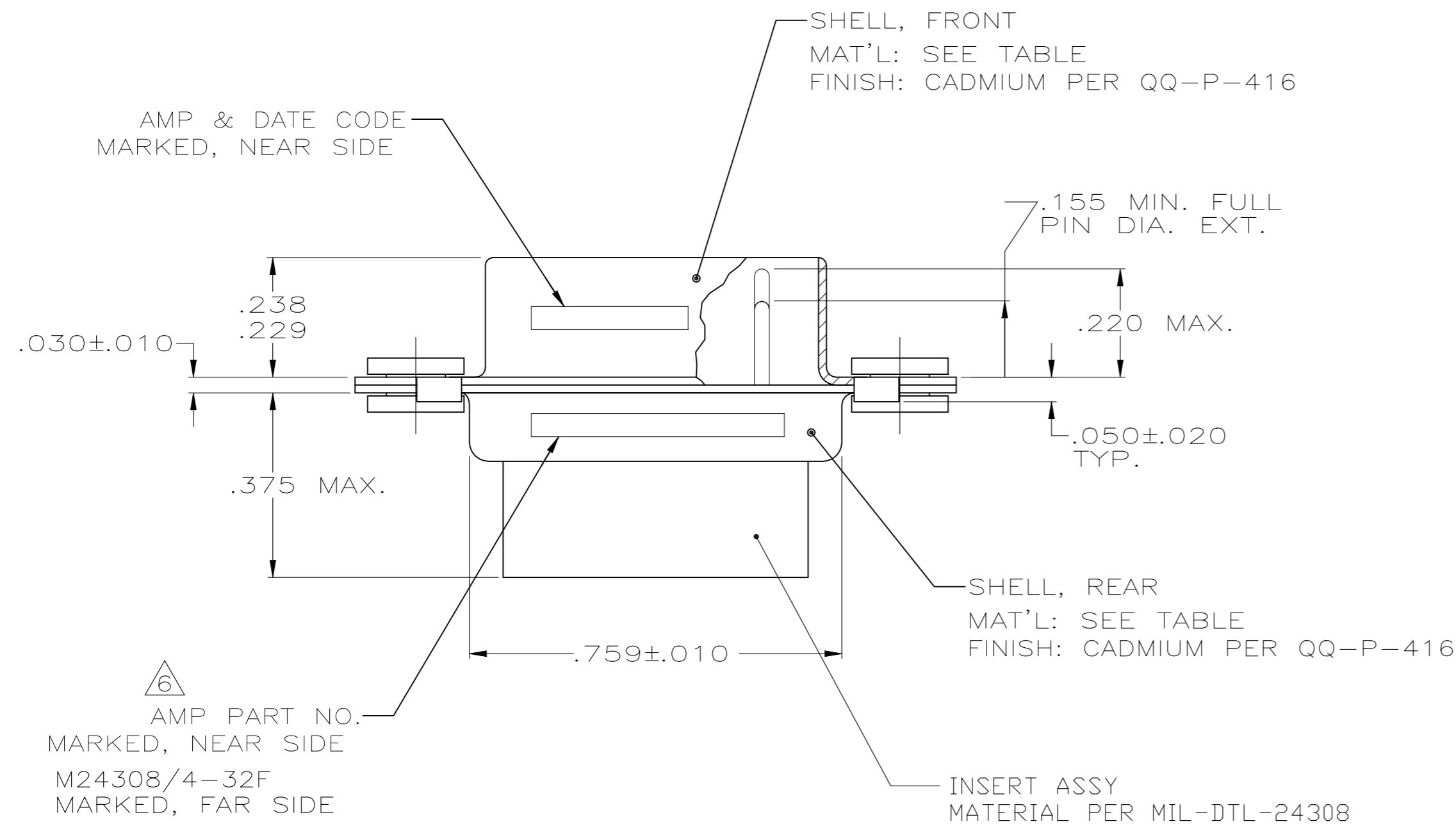


REVISIONS				
P	LTR	DESCRIPTION	DATE	APVD
R		REVISED PER ECN-24-266452	16MAY2024	PP DS



WARNING - THIS DOCUMENT CONTAINS TECHNOLOGY WHOSE EXPORT IS RESTRICTED BY THE EXPORT ADMINISTRATION REGULATIONS ("EAR") PURSUANT TO 15 C.F.R. PARTS 730-774. VIOLATIONS OF THE EAR ARE SUBJECT TO SEVERE CRIMINAL PENALTIES UNDER THE EXPORT CONTROL REFORM ACT, AS AMENDED (TITLE 50, U.S.C., SEC. 4801, ET SEQ.).



- THIS PLUG IS DESIGNED TO CONFORM TO THE LATEST ISSUE OF MIL-C-24308
  - MAX WIRE INSUL. TO BE USED WITH THIS PLUG IS .068 DIA.
  - STAINLESS STEEL RETENTION CLIPS ARE INCLUDED IN INSERTS
  - PACKAGE STAMPED M 24308/4-325F
  - THIS PLUG WILL ACCEPT SIZE 20 PIN CONTACT M24308/11 OR AMP # 205089
- △ AMP PART NO. MARKED, NEAR SIDE M24308/4-32F MARKED, FAR SIDE
- △ AMP PART NO. STAMPED ON CONNECTOR REPRESENTS KIT NUMBER WITH CONTACTS

OBSOLETE	BRASS	205412-2
	STL PER ASTM-A-109	205412-1
	SHELL MATL.	PART NO.

THIS DRAWING IS A CONTROLLED DOCUMENT.		DWN	C.C.THOMAS	12-8-87		PLUG ASSY,AMPLIMITE,SIZE 1		
DIMENSIONS: INCHES		CHK	FC BALLEW III	12-10-87		SERIES 109 W/FLOAT BUSHINGS		
TOLERANCES UNLESS OTHERWISE SPECIFIED:		APVD				SIZE	CAGE CODE	DRAWING NO
0 PLC ± - 1 PLC ± - 2 PLC ± - 3 PLC ± .005 4 PLC ± - ANGLES ± -		PRODUCT SPEC				A2	00779	C=205412
MATERIAL SEE CALLOUTS		FINISH	SEE CALLOUTS	WEIGHT			RESTRICTED TO	
		CUSTOMER DRAWING		SCALE	4:1	SHEET	1 OF 1	
				REV			R	