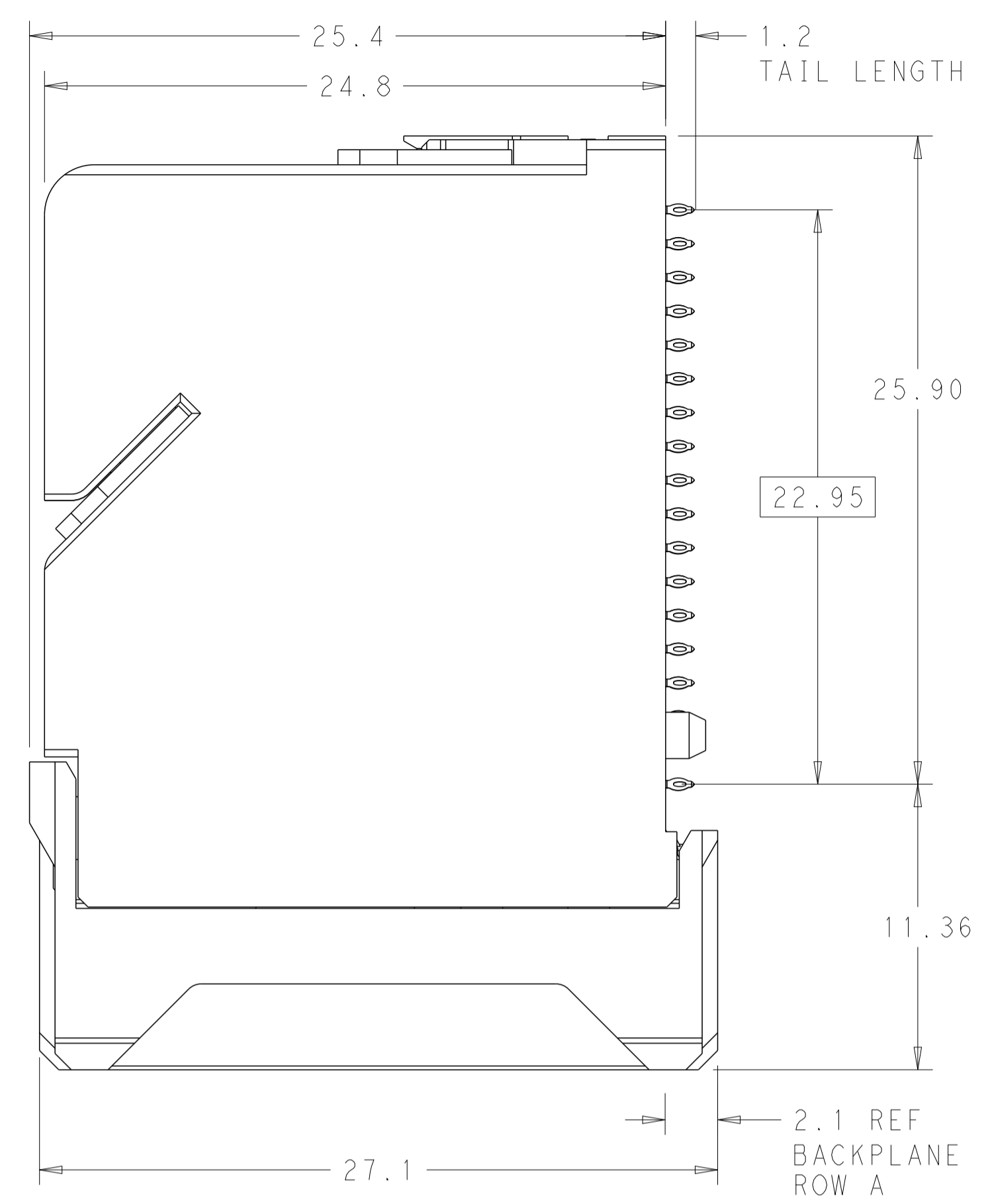
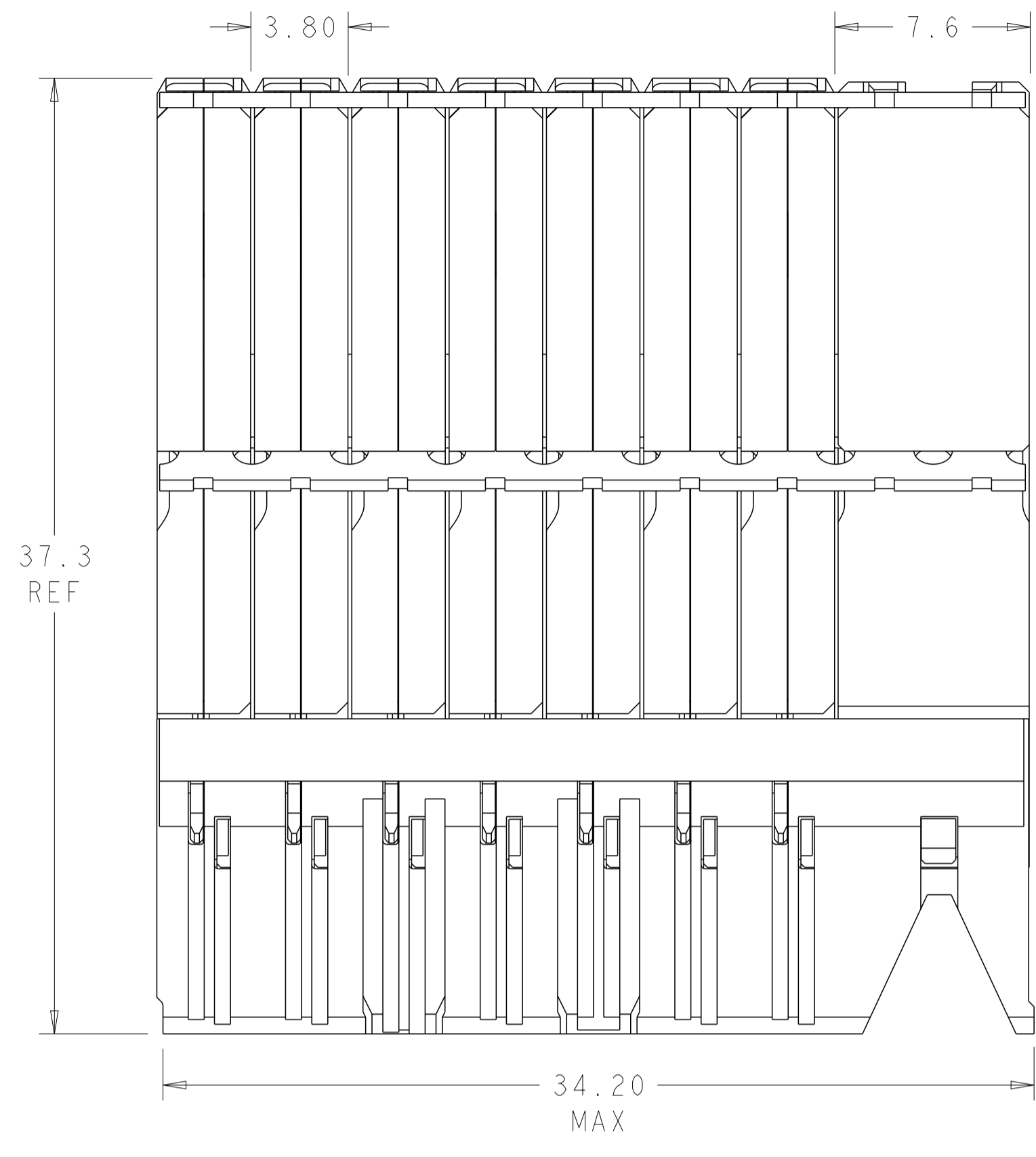
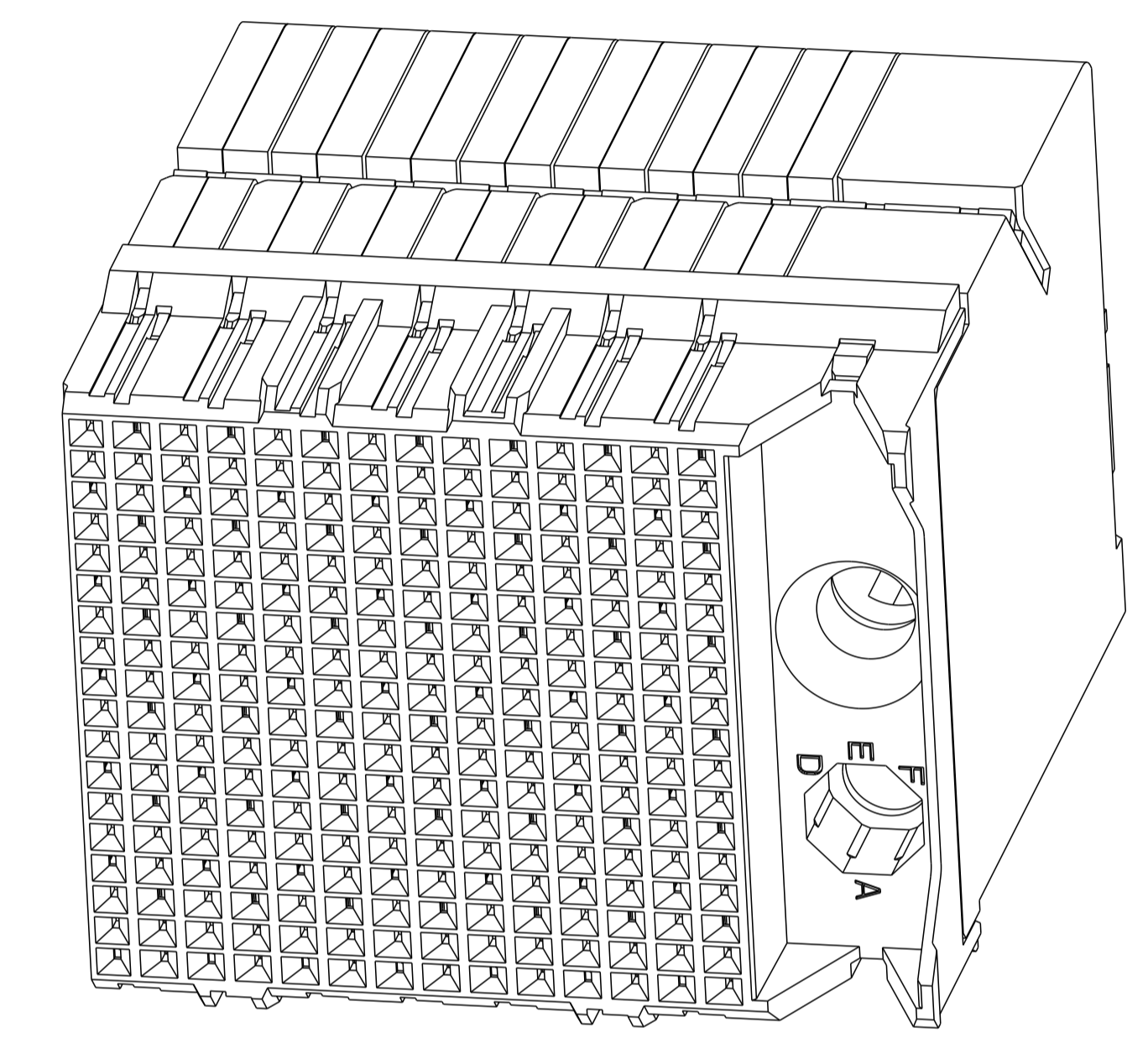


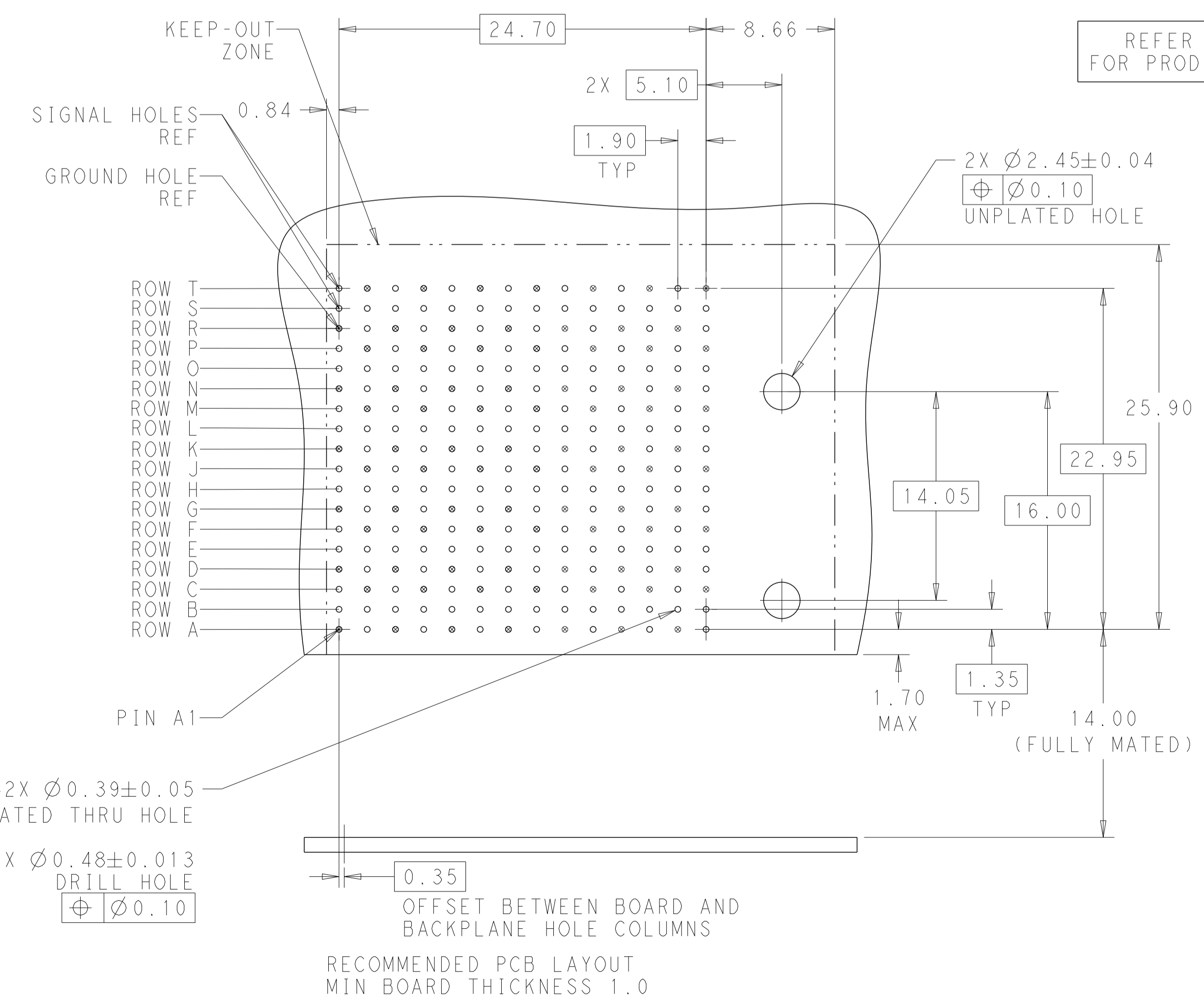
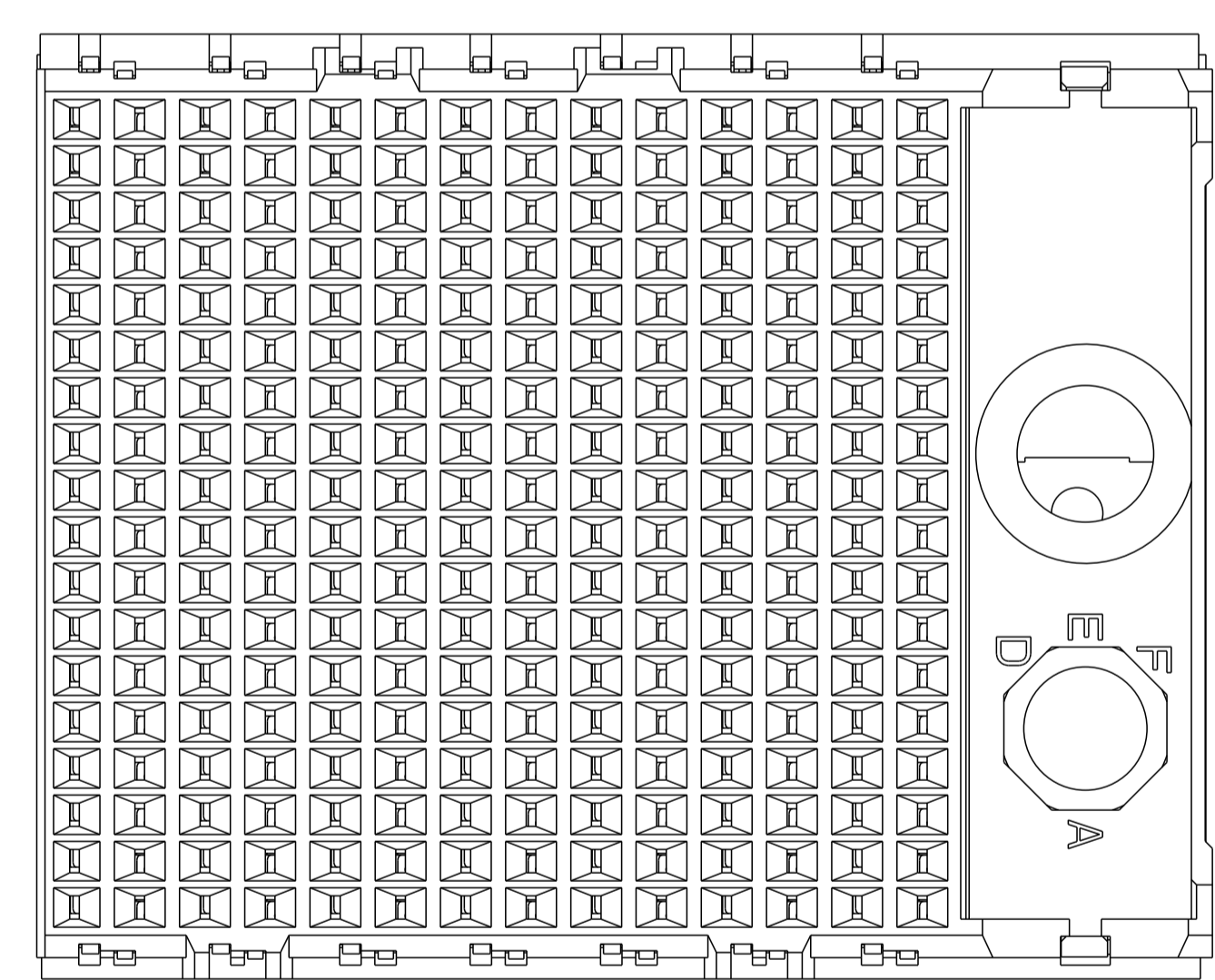
REVISIONS				
P	LTR	DESCRIPTION	DATE	APV
E		REVISED PER ECO-15-012351	03SEP2015	AP SY
E1		REVISED PER ECN-24-252171	11MAR2024	AP RS



- ⚠ MATERIAL:
HOUSING: LCP, GLASS FILLED, UL94V-0.
TERMINALS: HIGH PERFORMANCE COPPER ALLOY.
- ⚠ FINISH:
30µ" SELECTIVE GOLD IN CONTACT AREA. SELECTIVE TIN ON PCB TAILS, NICKEL OVERALL.
- 3. CONNECTORS SUPPLIED WITH MOUNTING SCREWS



SCALE 4:1



REFER TO WWW.TE.COM FOR PRODUCT AVAILABILITY

KEY POSITION CHART	
	NONE
	A
	B
	C
	D
	E
	F

OBSOLETE	H	⚠	8-2057990-1
	G	⚠	7-2057990-1
	F	⚠	6-2057990-1
	E	⚠	5-2057990-1
	D	⚠	4-2057990-1
	C	⚠	3-2057990-1
	B	⚠	2-2057990-1
	A	⚠	1-2057990-1
	NONE	⚠	2057990-1
	KEY POSITION	FINISH	PART NUMBER

THIS DRAWING IS A CONTROLLED DOCUMENT. DWG: B_CARBO 19AUG2010
 CHK: D_DIXON 19AUG2010
 APV: D_DIXON 19AUG2010

DIMENSIONS: mm
 TOLERANCES UNLESS OTHERWISE SPECIFIED:
 0 PLC ±0.2
 1 PLC ±0.10
 2 PLC ±0.10
 3 PLC ±0.10
 4 PLC ±0.10
 ANGLES ±0.5°

MATERIAL: SEE TABLE
 FINISH: SEE TABLE

NAME: IMPACT, STD, R/A, 6 PAIR, 14 COLUMN, DAUGHTERCARD, RIGHT GUIDED SIGNAL MODULE, 0.39 EYELET
 SIZE: CAGE CODE DRAWING NO: A100779C=2057990
 WEIGHT: -
 CUSTOMER DRAWING

TE Connectivity
 SCALE 5:1 SHEET 1 OF 1 REV E1