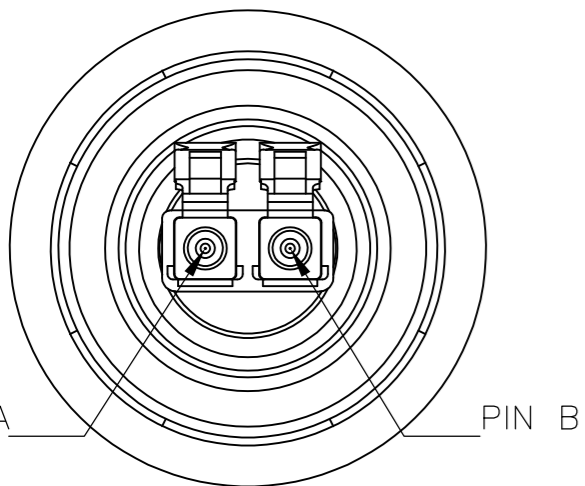
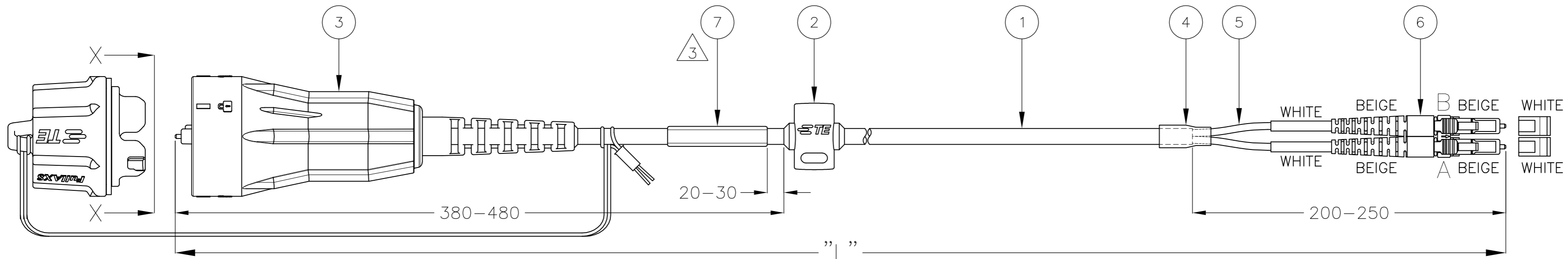


THIS DRAWING IS UNPUBLISHED. RELEASED FOR PUBLICATION
 © COPYRIGHT - By - ALL RIGHTS RESERVED.

REVISIONS					
P	LTR	DESCRIPTION	DATE	DWN	APVD
B		ECR-17-008525	13JUN2017	HZ	RS



VIEW X-X
(DUST CAPS NOT SHOWN)

ASSEMBLY CONNECTIVITY	
FULLAXS LC	LC CONN.
PIN A	B
PIN B	A

STANDARD LENGTHS ACCORDING TO CUSTOMER DRAWING 1206850	
PART NUMBER	"L" (meter)
X-2061506-Y	XY.0
9-2061506-9	100.0 -0/+3.0
9-2061506-8	150.0 -0/+3.0
9-2061506-7	200.0 -0/+3.0
9-2061506-6	250.0 -0/+3.0
9-2061506-5	300.0 -0/+3.0
9-2061506-1	500.0 -0/+3.0

NOTES:

- 1 MAX. CONNECTOR ATTENUATION 0.3 dB, MEASURED AT 850 nm ACCORDING TO I.E.C. 61300-3-4 INSERTION METHOD B
- 2 MIN. RETURN LOSS 25 dB, IN MATED CONDITION AGAINST REFERENCE CONNECTOR AT 850 nm
- 3 INFORMATION ON LABEL, SEE DETAIL FOR EXAMPLE
 - BARCODE
 - UNIQUE TE SERIAL NUMBER
 - ASSEMBLY LENGTH
 - TE CONNECTIVITY PART NUMBER & ORDER NUMBER
- 4 CABLE INFORMATION:
 - CORE DIAMETER: 50/125 µm (2x)
 - OUTER JACKET DIAMETER: 4.8 mm
 - OUTER JACKET COLOUR: BLACK
 - OUTER JACKET MATERIAL: HALOGEN FREE FLAME RETARDANT
 - CABLE ATTENUATION: 3.0 dB/km @ 850 nm OR 1.0 dB/km @ 1300 nm

1	INFORMATION LABEL	7
1	LC DUPLEX CONNECTOR, MULTI MODE, BEIGE	6
2	PROTECTIVE TUBING, BLACK	5
1	HEAT SHRINK TUBING, BLACK	4
1	FULLAXS OVERMOLDED LC DUPLEX PLUG ASSEMBLY, MM, BLACK	3
1	FULLAXS OVERMOLDED DROP PROTECTION, BLACK	2
L	FOCAB Ø4.8 mm, 2FOLD, MULTI MODE OM3, BLACK	1
Qty	Description	Item

3 LABEL DETAIL:



THIS DRAWING IS A CONTROLLED DOCUMENT.		DWN R. COOLEN 11JUN2010	TE Connectivity																						
DIMENSIONS: mm		CHK S. BORGAS 15JAN2013																							
TOLERANCES UNLESS OTHERWISE SPECIFIED:		APVD A. HENGELMOLEN 15JAN2013	NAME FIBER OPTIC LEAD 4.8 mm FULLAXS LC/DPX - LC/DPX MULTI MODE OM3																						
<table border="1"> <tr><td>0 PLC</td><td>±</td><td>-</td></tr> <tr><td>1 PLC</td><td>±</td><td>-</td></tr> <tr><td>2 PLC</td><td>±</td><td>-</td></tr> <tr><td>3 PLC</td><td>±</td><td>-</td></tr> <tr><td>4 PLC</td><td>±</td><td>-</td></tr> <tr><td>ANGLES</td><td>±</td><td>-</td></tr> <tr><td>FINISH</td><td>-</td><td>-</td></tr> </table>		0 PLC	±	-	1 PLC	±	-	2 PLC	±	-	3 PLC	±	-	4 PLC	±	-	ANGLES	±	-	FINISH	-	-	PRODUCT SPEC -	SIZE A2	CAGE CODE 00779
0 PLC	±	-																							
1 PLC	±	-																							
2 PLC	±	-																							
3 PLC	±	-																							
4 PLC	±	-																							
ANGLES	±	-																							
FINISH	-	-																							
MATERIAL		APPLICATION SPEC 114-32032	DRAWING NO C=2061506	RESTRICTED TO -																					
		WEIGHT 0.000000	SCALE NTS	SHEET 1 of 1																					
		CUSTOMER DRAWING	REV B																						